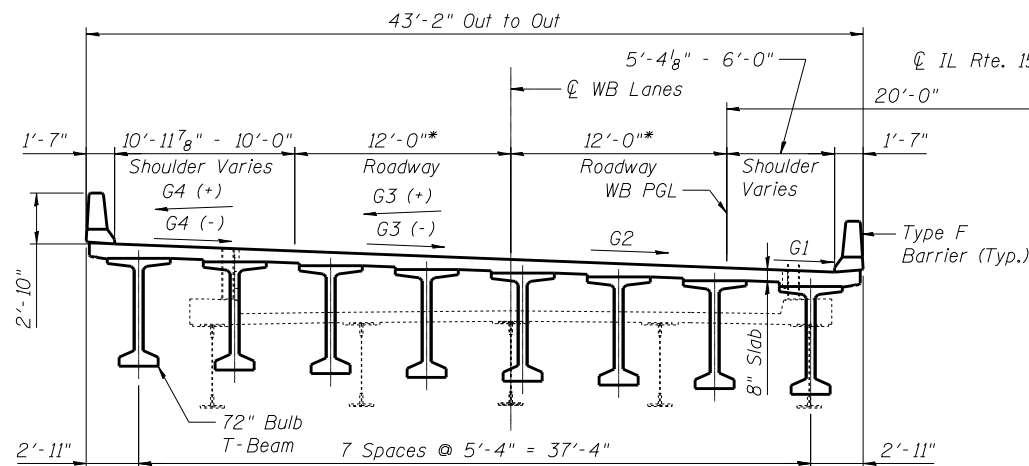
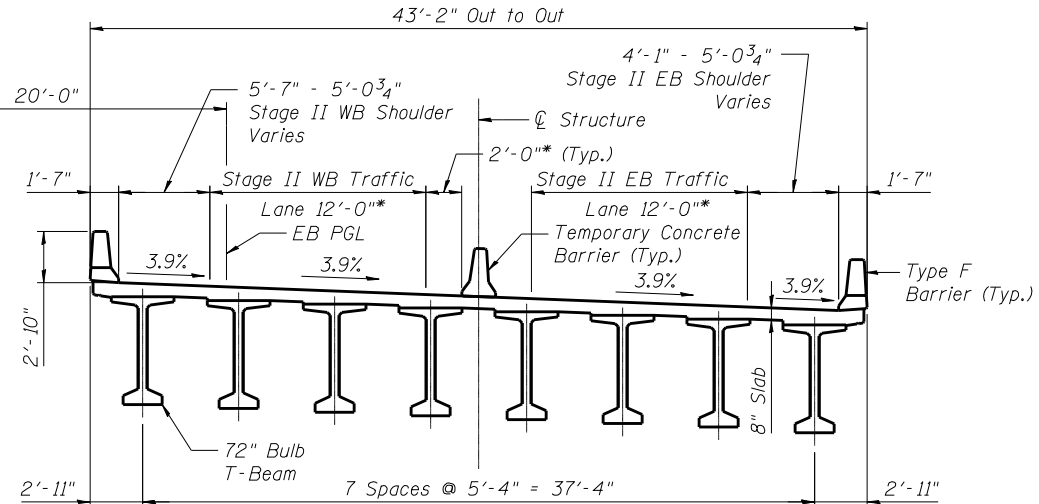


STAGE I REMOVAL AND CONSTRUCTION

(Looking East)



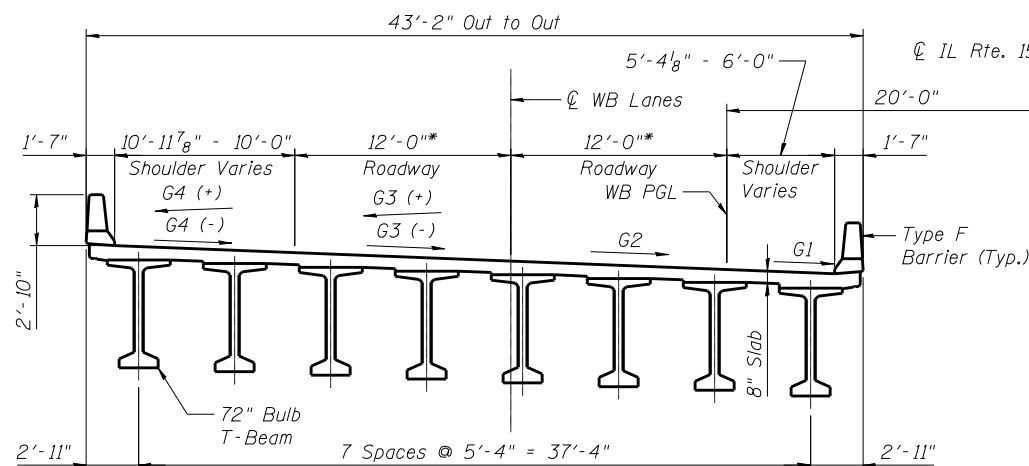
IL Rte. 15



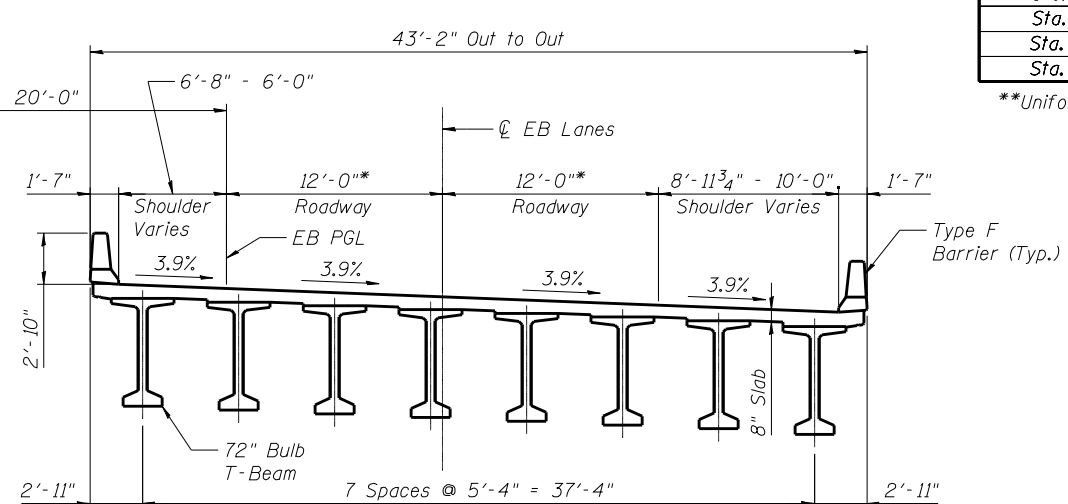
STAGE II REMOVAL AND CONSTRUCTION

(Looking East)

*Radial Dimensions



IL Rte. 15



FINAL CROSS SECTION

(Looking East)

*Radial Dimensions

STATION	G1	G2	G3	G4
Up to Sta. 707+64.2	2.08%	1.5%	1.5%	2.08%
Sta. 708+01.4	2.08%	1.5%	0%	
Sta. 708+61.4	2.08%	1.5%	-1.5%	**
Sta. 709+05.4	**	2.6%	-2.6%	
Sta. 709+57.4	3.9%	3.9%	-3.9%	-3.9%

**Uniform Transition

FILE NAME = 0820119-0120-76884-005-StageConst.dgn



USER NAME = brazzano
 PLOT SCALE = 428.0000 '1" / IN.
 PLOT DATE = 10/19/2011

DESIGNED - MJK
 CHECKED - JAN
 DRAWN - MJK
 CHECKED - JAN

REVISED - -
 REVISED - -
 REVISED - -
 REVISED - -

STATE OF ILLINOIS
 DEPARTMENT OF TRANSPORTATION

STAGE CONSTRUCTION DECK SECTIONS
 STRUCTURE NO. 082-0119 (E.B.) & 082-0120 (W.B.)

SHEET NO. S-5 OF S-51 SHEETS

F.A.P. RTE.	SECTION	COUNTY	TOTAL SHEETS	SHEET NO.
103	27-1-VHB-1	ST. CLAIR	277	182

CONTRACT NO. 76884
 ILLINOIS FED. AID PROJECT