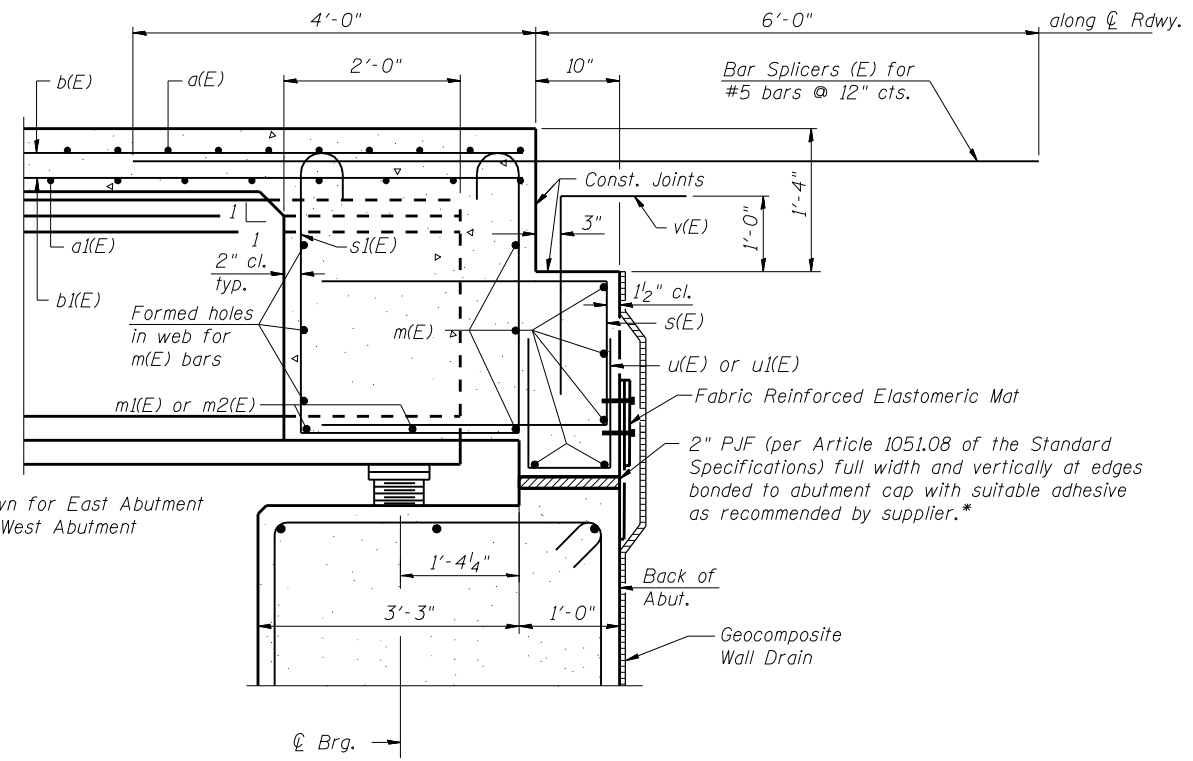


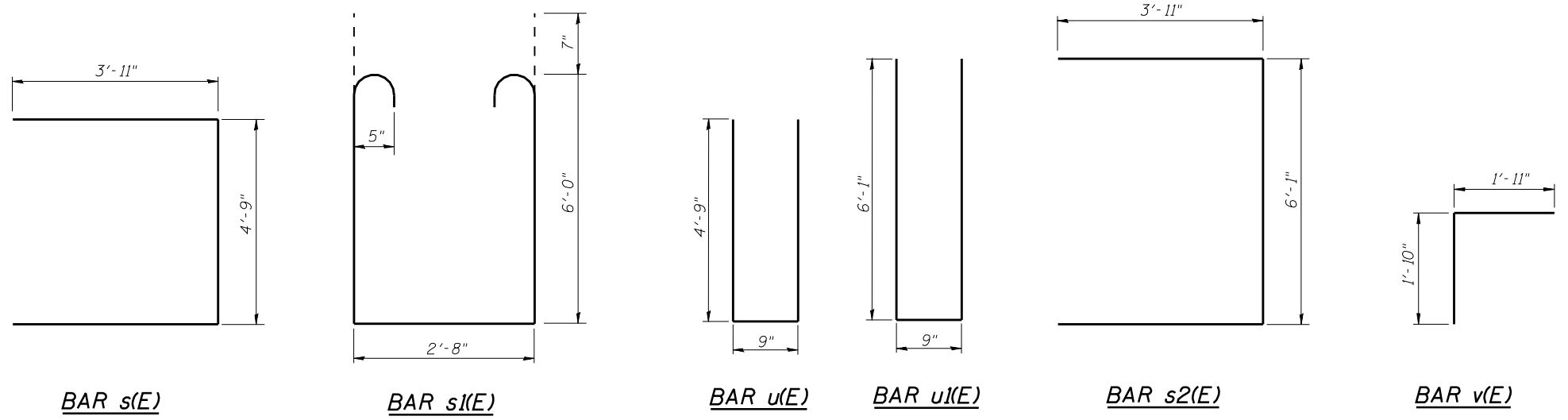
DIAPHRAGM ELEVATION AT ABUTMENT

(Diaphragm shown for east abutment, diaphragm for west abutment similar)



SECTION A-A

Dimensions at right angles to abutment, except as shown.
* Cost included with Concrete Superstructure.



Notes:
Reinforcement bars in diaphragm are billed with superstructure on sheet S-21 of S-51.
Concrete in diaphragm is included with Concrete Superstructure on sheet S-21 of S-51.
The s(E), s1(E), u(E) and u1(E) bars shall be placed parallel to the beams. Spacing for these bars shall be at right angles to the beams. See sheet S-35 and S-38 of S-51 for anchor bolt information.
Bars indicated thus 5 x 3-#6 etc. indicates 5 lines of bars with 3 lengths per line.

MIN. BAR LAP

#6 bar = 3'-4"

FILE NAME = 0820119-0120-76884-019-Superstr-Detail1.snb.dgn



USER NAME = brozzaro	DESIGNED - MJK	REVISED - -
	CHECKED - SAB	REVISED - -
PLOT SCALE = 4:0.0000 '1' / IN.	DRAWN - MJK	REVISED - -
PLOT DATE = 10/19/2011	CHECKED - SAB	REVISED - -

**STATE OF ILLINOIS
DEPARTMENT OF TRANSPORTATION**

**SUPERSTRUCTURE DETAILS WESTBOUND
STRUCTURE NO. 082-0119 (E.B.) & 082-0120 (W.B.)**

SHEET NO. S-19 OF S-51 SHEETS

F.A.P. RTE.	SECTION	COUNTY	TOTAL SHEETS	SHEET NO.
103	27-1-VHB-1	ST. CLAIR	277	196
ILLINOIS FED. AID PROJECT			CONTRACT NO. 76884	