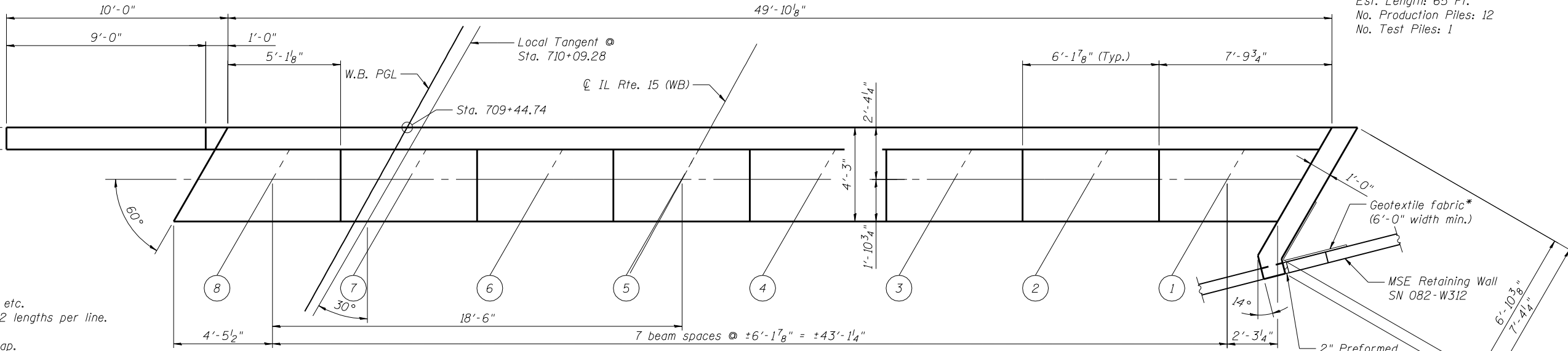
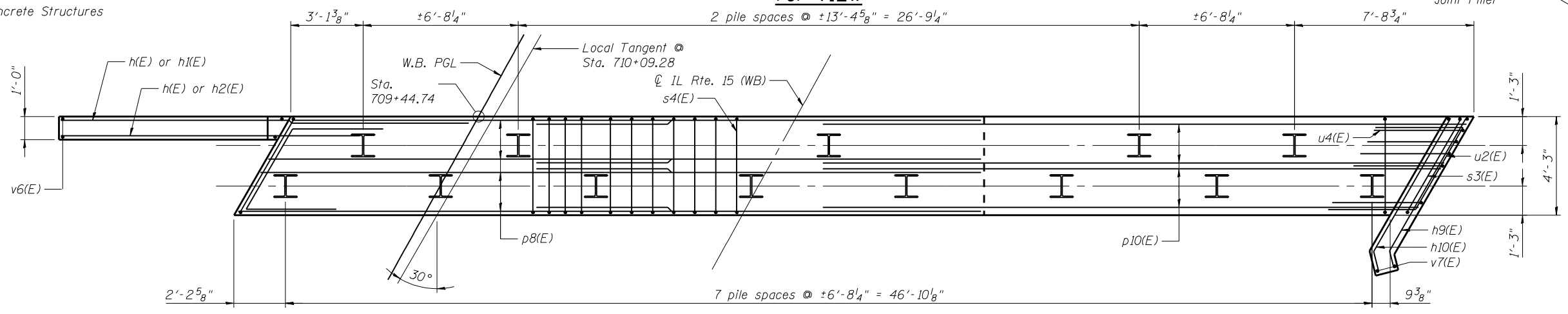


ELEVATION
(Looking West)

PILE DATA
 Type: Steel HP 12 x 53
 Nominal Required Bearing: 411 Kips
 Factored Resistance Available: 226 Kips
 Est. Length: 65 Ft.
 No. Production Piles: 12
 No. Test Piles: 1



TOP VIEW



PILE PLAN

MIN. BAR LAP

#5 bar = 2'-7"
 #7 bar = 5'-10"

NOTES:

Bars indicated thus 4 x 2-#5 etc. indicates 4 lines of bars with 2 lengths per line.

Cast steps monolithically with cap.

*Item incidental to Concrete Structures

FILE NAME = 0820119-0120-76884-037-WestAbut.WB.dgn



USER NAME = brazzera	DESIGNED - MJK	REVISED -
PLOT SCALE = 5x4,0000 '1' / IN.	CHECKED - SAB	REVISED -
PLOT DATE = 10/19/2011	DRAWN - MJK	REVISED -
	CHECKED - SAB	REVISED -

**STATE OF ILLINOIS
 DEPARTMENT OF TRANSPORTATION**

**WEST ABUTMENT PLAN AND ELEVATION WESTBOUND
 STRUCTURE NO. 082-0119 (E.B.) & 082-0120 (W.B.)**

SHEET NO. S-37 OF S-51 SHEETS

F.A.P. RTE. 103	SECTION 27-1-VHB-1	COUNTY ST. CLAIR	TOTAL SHEETS 277	SHEET NO. 214
CONTRACT NO. 76884			ILLINOIS FED. AID PROJECT	