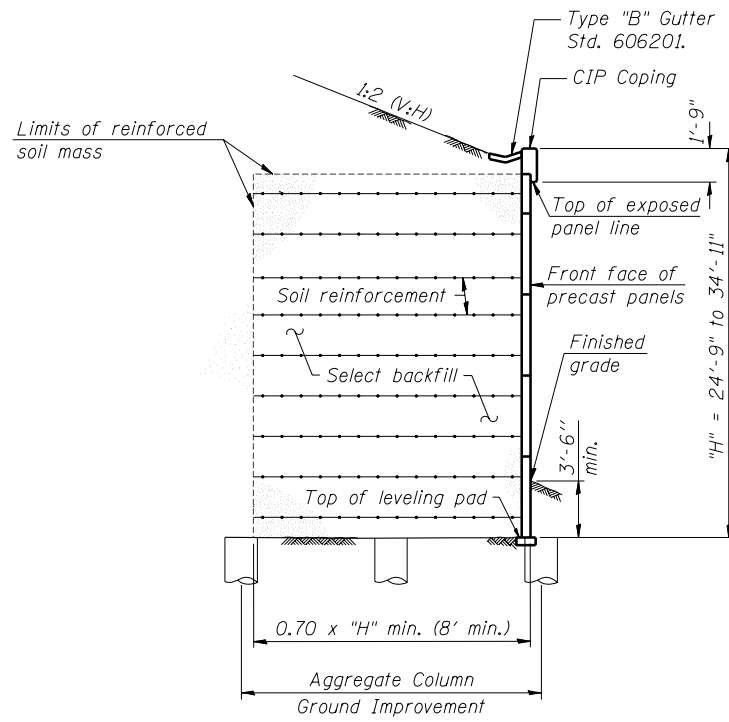
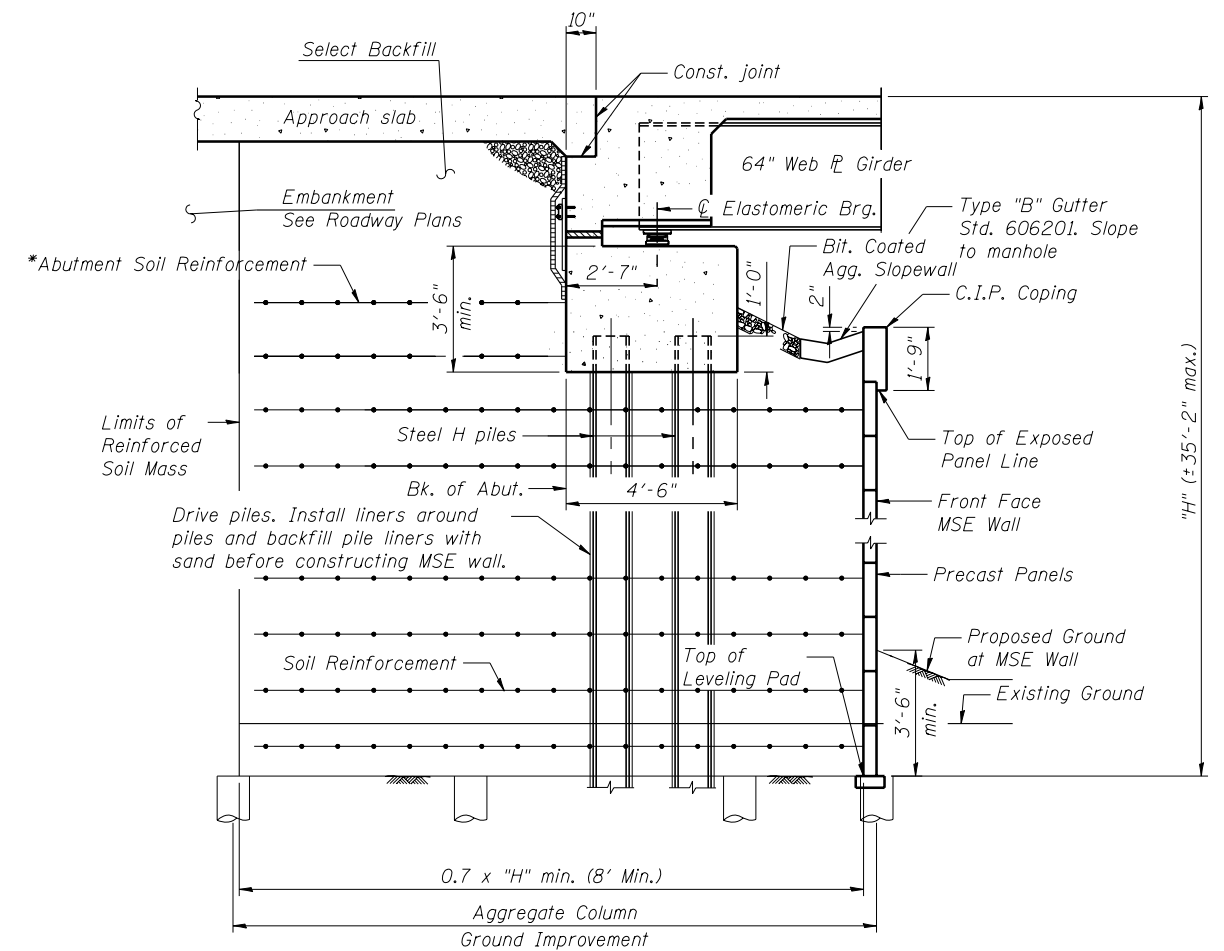


SECTION A-A
Sta. 702+52.11 to 703+70.08



SECTION B-B
Between Bridges



*M.S.E. wall supplier shall design and supply abutment soil reinforcement to resist earth pressure of 40 pct equivalent fluid weight applied to back of the abutment cap plus a longitudinal force of 0.7 kips per foot of abutment length transmitted by the bearings to the bridge seats.

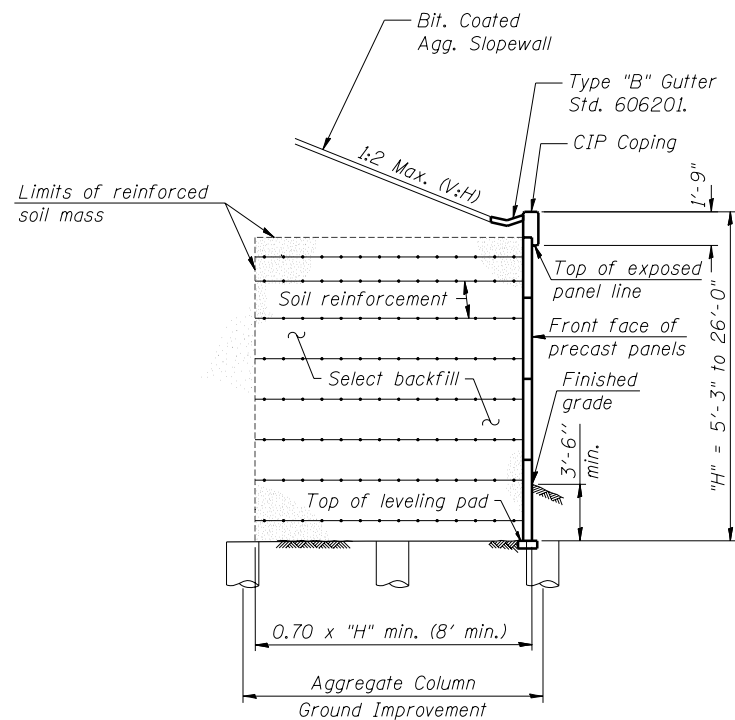
SECTION THRU MSE WALL AT SEMI-INTEGRAL WEST ABUTMENT
(Horiz. dim. @ Rt. L's)

TOTAL BILL OF MATERIAL

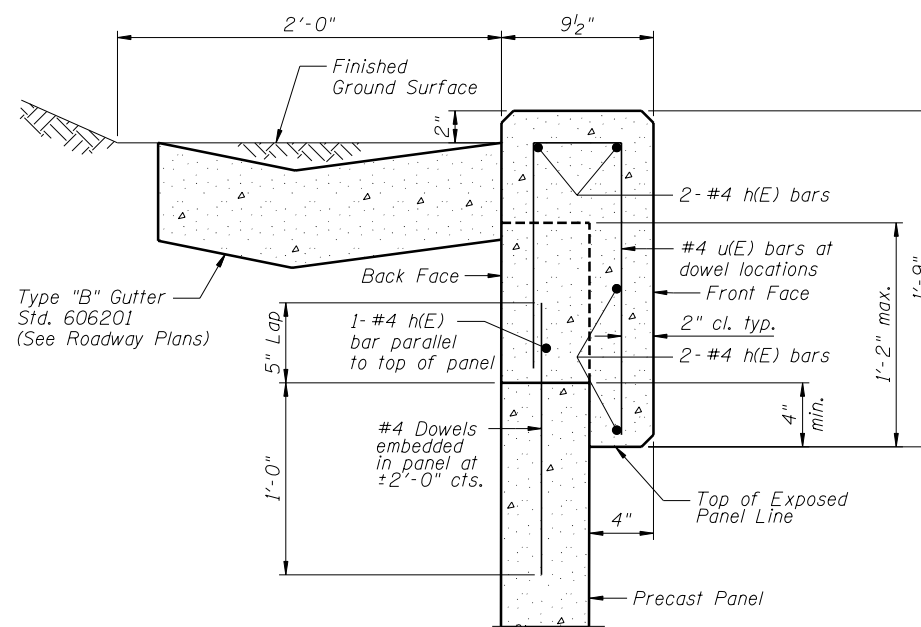
ITEM	UNIT	TOTAL
Structure Excavation	Cu. Yd.	2,068
Name Plates	Each	1
Mechanically Stabilized Earth Retaining Wall	Sq. Ft.	7,835

GENERAL NOTES

1. Reinforcement bars shall conform to the requirements of ASTM A 706 Gr. 60. See Special Provisions.
2. Reinforcement bars designated (E) shall be epoxy coated.
3. Cast in place concrete and reinforcement bars for coping is included in the cost for Mechanically Stabilized Earth Retaining Wall.



SECTION C-C
Sta. 705+19.38 to 706+02.67



COPING DETAIL (TYPICAL)

FILE NAME = 082W311_76884_002_Sections.dgn

USER NAME = Scott Whitney	DESIGNED - PMM	REVISED -
PLOT SCALE = 0:2.0000 '1' / IN.	CHECKED - DAZ	REVISED -
PLOT DATE = 10/18/2011	DRAWN - SAW	REVISED -
	CHECKED - PMM	REVISED -

F.A.P. RTE.	SECTION	COUNTY	TOTAL SHEETS	SHEET NO.
103	27-1-VHB-1	ST. CLAIR	277	230
CONTRACT NO. 76884				
ILLINOIS FED. AID PROJECT				