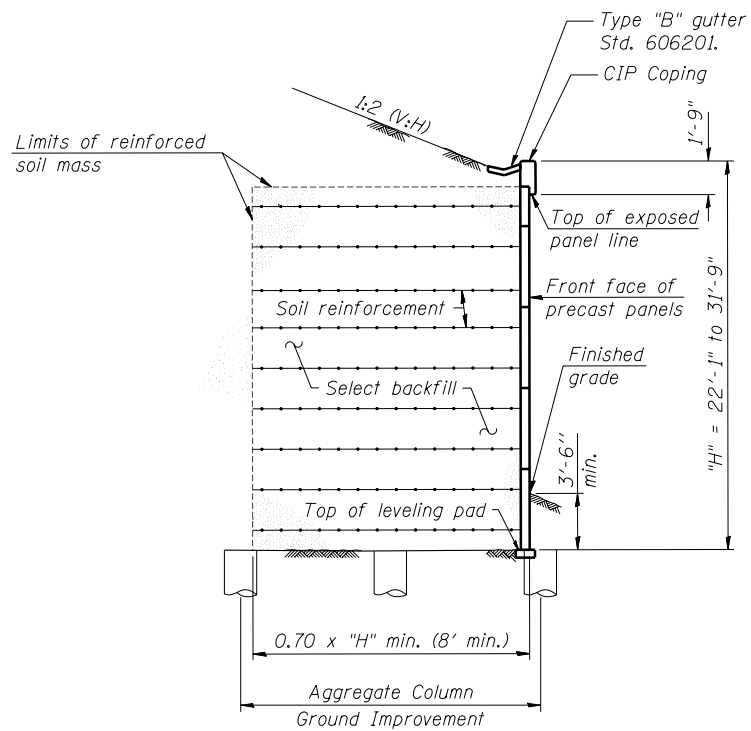
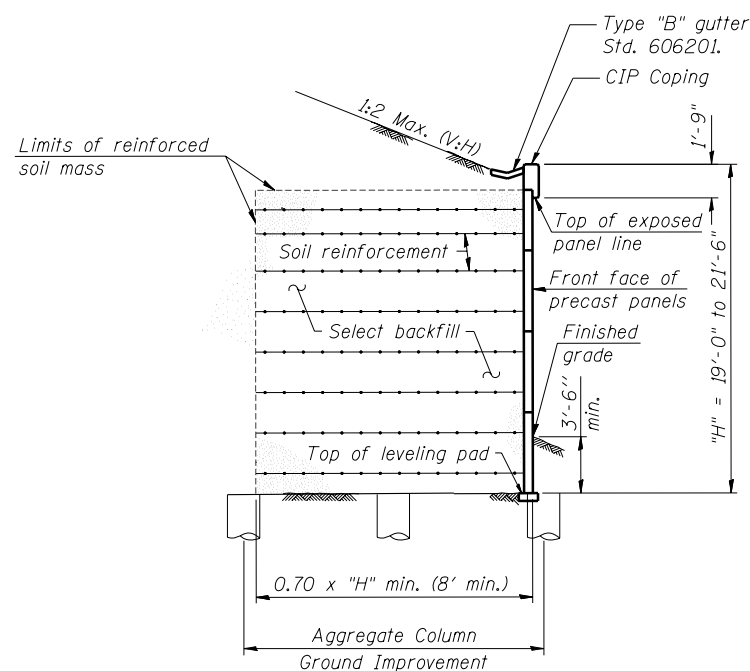


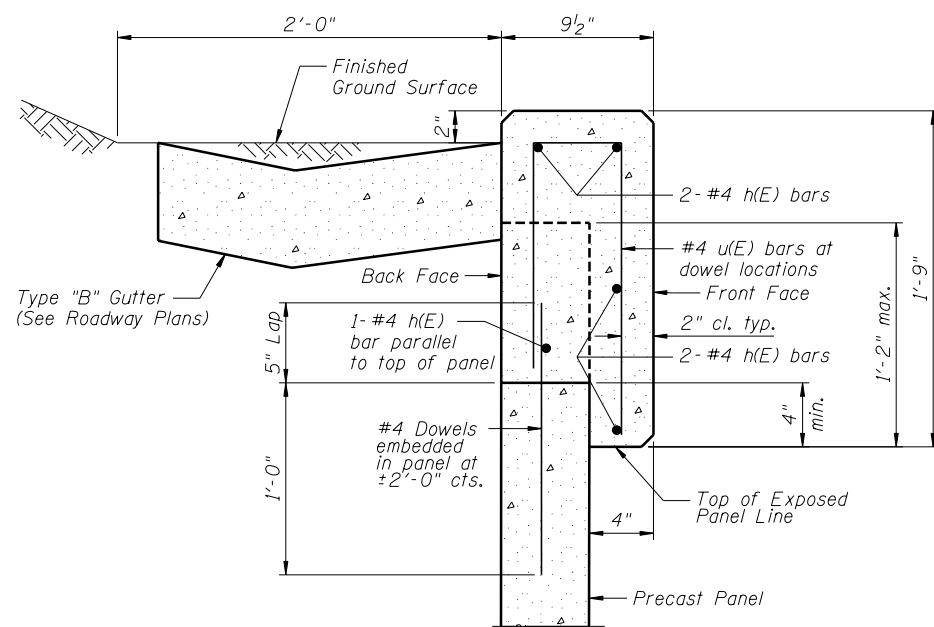
**SECTION A-A**  
Sta. 11+71.71 to 10+94.53



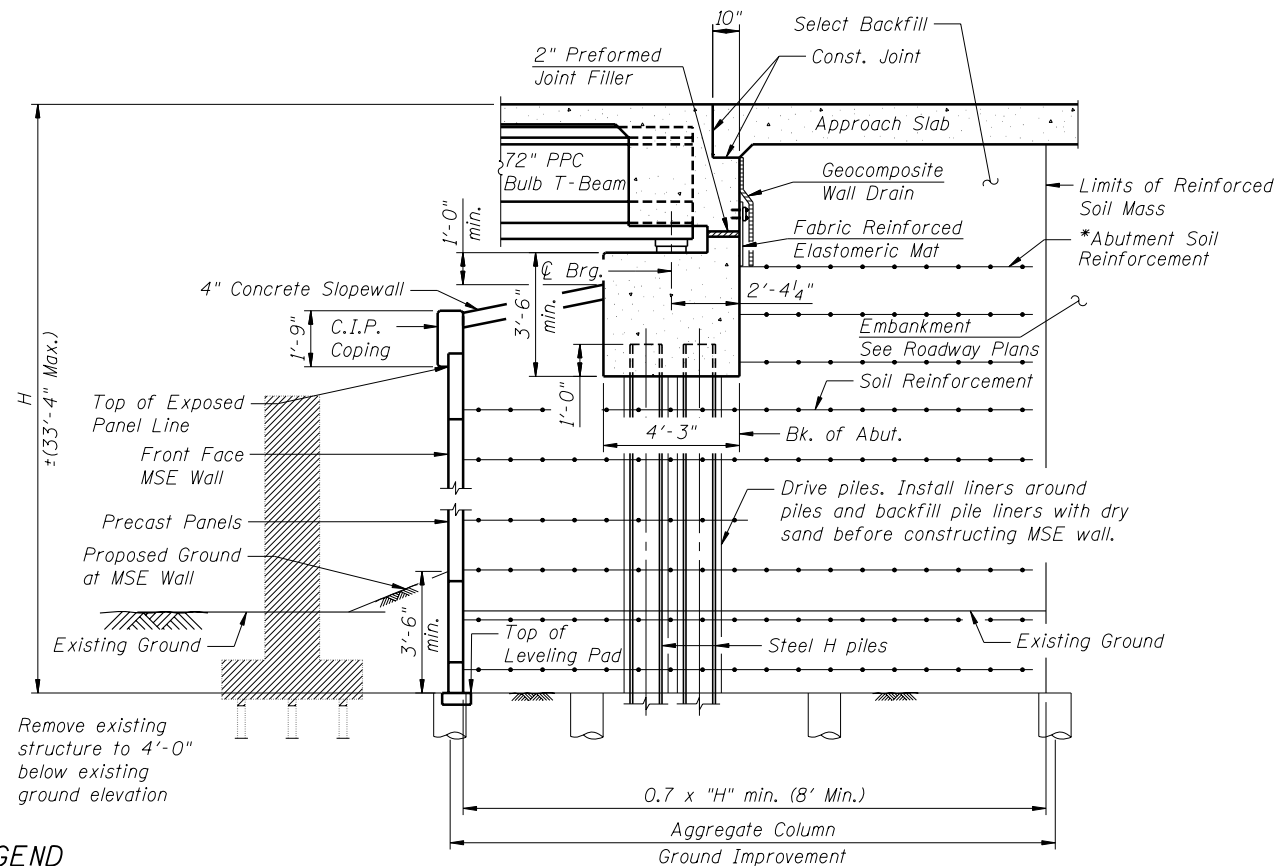
**SECTION B-B**  
Between Bridges



**SECTION C-C**  
Sta. 10+00.64 to 9+28.19



**COPING DETAIL (TYPICAL)**



**LEGEND**  
 Structure Removal, see structure plans for SN 082-0119 & SN 082-0120

\*M.S.E. wall supplier shall design and supply abutment soil reinforcement to resist earth pressure of 40 pcf equivalent fluid weight applied to back of abutment plus a longitudinal force of 5.6 kip/ft length of abutment.

**SECTION THRU MSE WALL AT ABUTMENT**  
(Dimensions @ Rt. L's)

**TOTAL BILL OF MATERIAL**

ITEM	UNIT	TOTAL
Structure Excavation	Cu. Yd.	635
Name Plates	Each	1
Mechanically Stabilized Earth Retaining Wall	Sq. Ft.	5,405

**GENERAL NOTES**

1. Reinforcement bars shall conform to the requirements of ASTM A 706 Gr. 60. See Special Provisions.
2. Reinforcement bars designated (E) shall be epoxy coated.
3. Cast in place concrete and reinforcement bars for coping is included in the cost for Mechanically Stabilized Earth Retaining Wall.

FILE NAME = 082W312\_76884\_002\_Section.dgn



USER NAME = Scott Whitney	DESIGNED - PMM	REVISED -
	CHECKED - DAZ	REVISED -
PLOT SCALE = 0:2.0000 '1' / IN.	DRAWN - SAW	REVISED -
PLOT DATE = 10/18/2011	CHECKED - PMM	REVISED -

**STATE OF ILLINOIS  
DEPARTMENT OF TRANSPORTATION**

**TYPICAL SECTIONS AND BILL OF MATERIAL  
STRUCTURE NO. 082-W312**

SHEET NO. 2 OF 7 SHEETS

F.A.P. RTE.	SECTION	COUNTY	TOTAL SHEETS	SHEET NO.
103	27-1-VHB-1	ST. CLAIR	277	235
CONTRACT NO. 76884				
ILLINOIS FED. AID PROJECT				