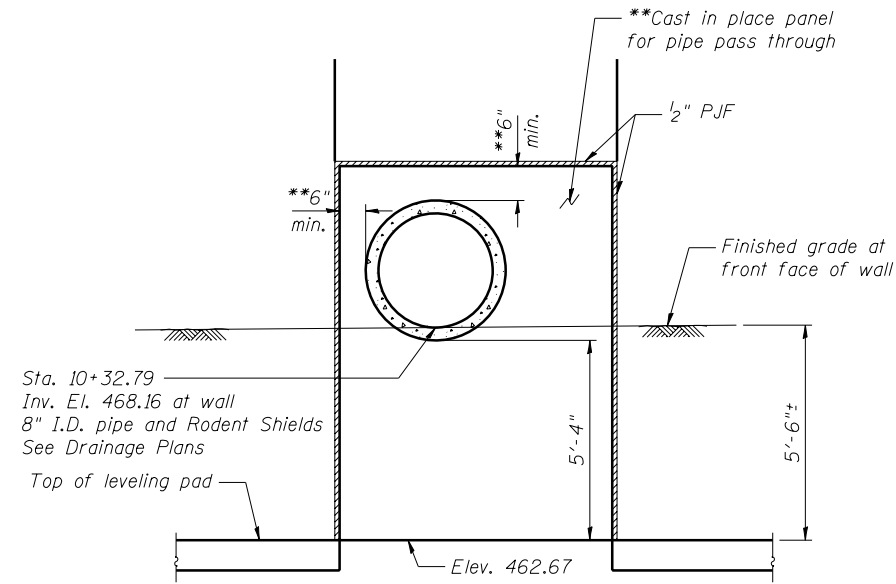
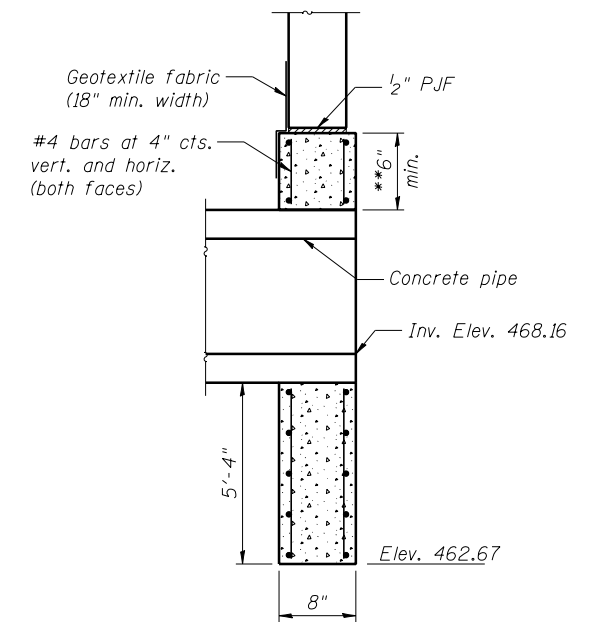


SECTION D-D
@ Sta. 10+32.79

*MSE supplier to design load transfer system to accommodate concrete pipes, inlet, and manhole.

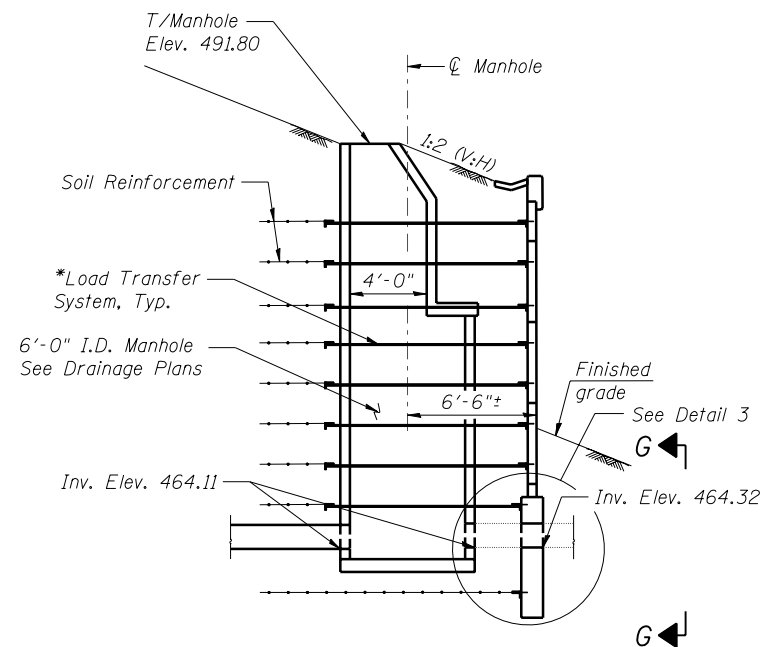


SECTION E-E

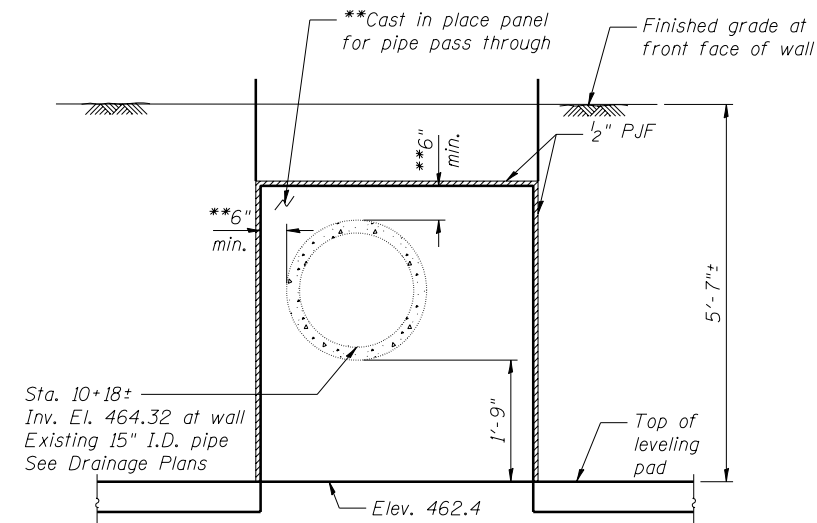


DETAIL 2

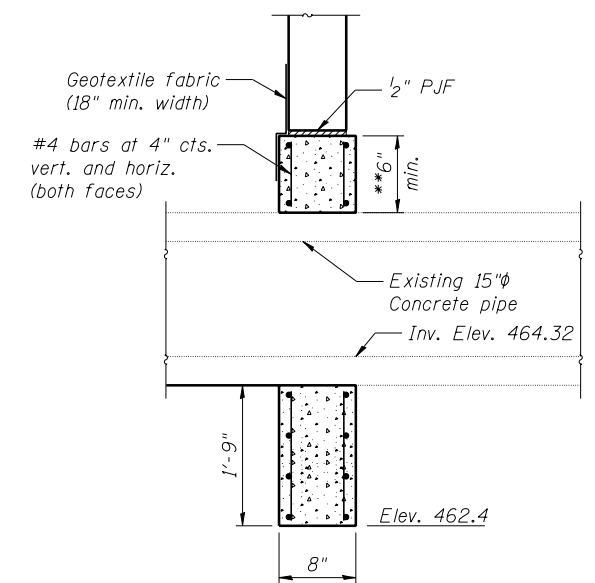
**Wall supplier to determine required dimensions. Concrete and reinforcement bars for Cast in place panel is included in the cost for Mechanically Stabilized Earth Retaining Wall.



SECTION F-F
@ Sta. 10+18±



SECTION G-G



DETAIL 3

**Wall supplier to determine required dimensions. Concrete and reinforcement bars for Cast in place panel is included in the cost for Mechanically Stabilized Earth Retaining Wall.

FILE NAME = 082W312_76884_003_Sections2.dgn

USER NAME = Scott Whitney	DESIGNED - PMM	REVISED -
PLOT SCALE = 0:2.0000 ' = 1" / IN.	CHECKED - DAZ	REVISED -
PLOT DATE = 11/18/2011	DRAWN - SAW	REVISED -
	CHECKED - PMM	REVISED -

F.A.P. RTE.	SECTION	COUNTY	TOTAL SHEETS	SHEET NO.
103	27-1-VHB-1	ST. CLAIR	277	236
CONTRACT NO. 76884				
ILLINOIS FED. AID PROJECT				