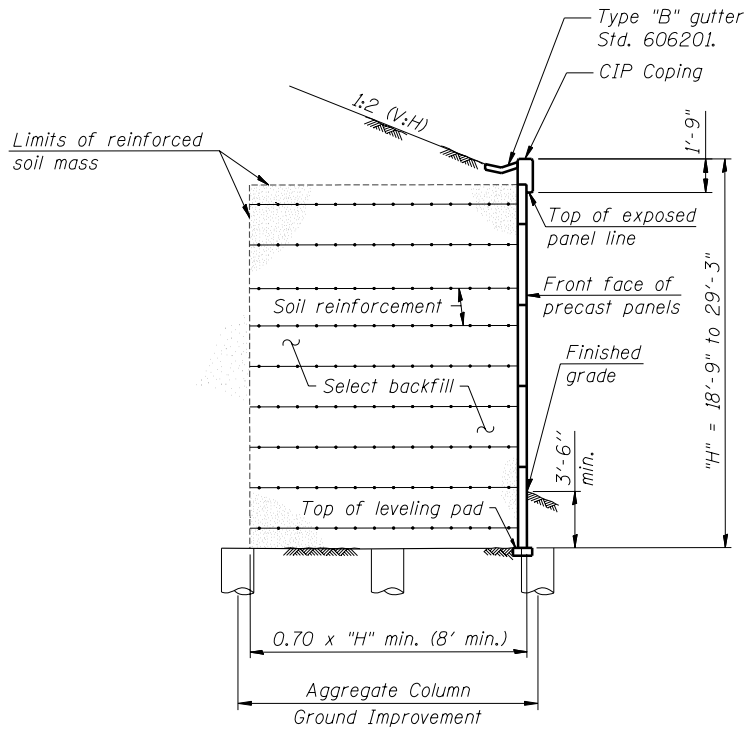
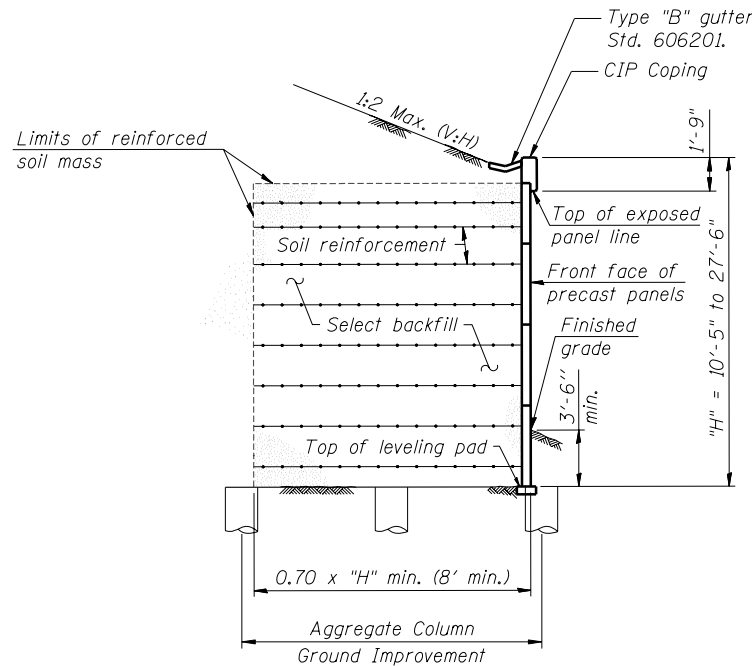


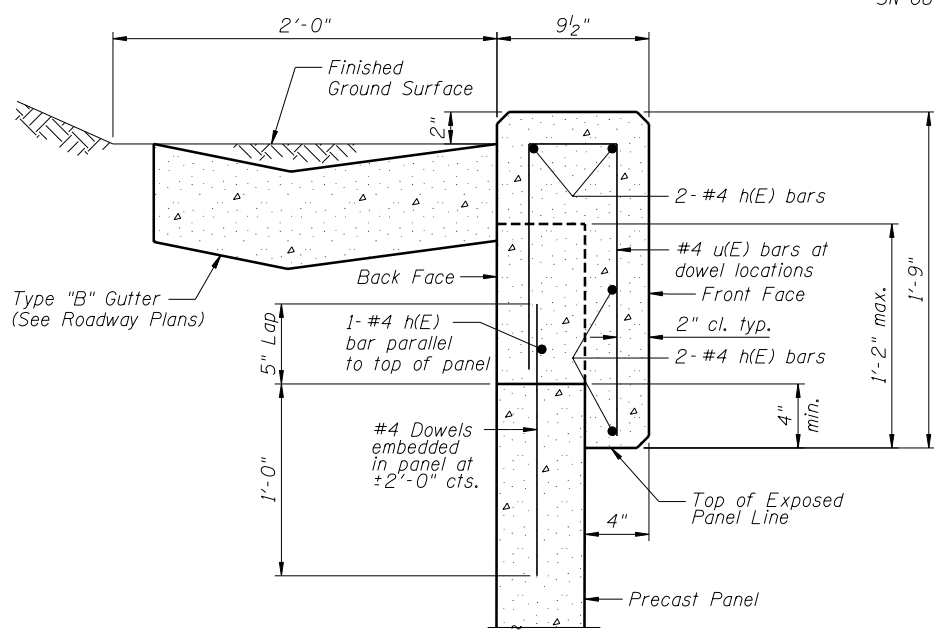
SECTION A-A
Sta. 10+35.89 to 9+62.74



SECTION B-B
Between Bridges



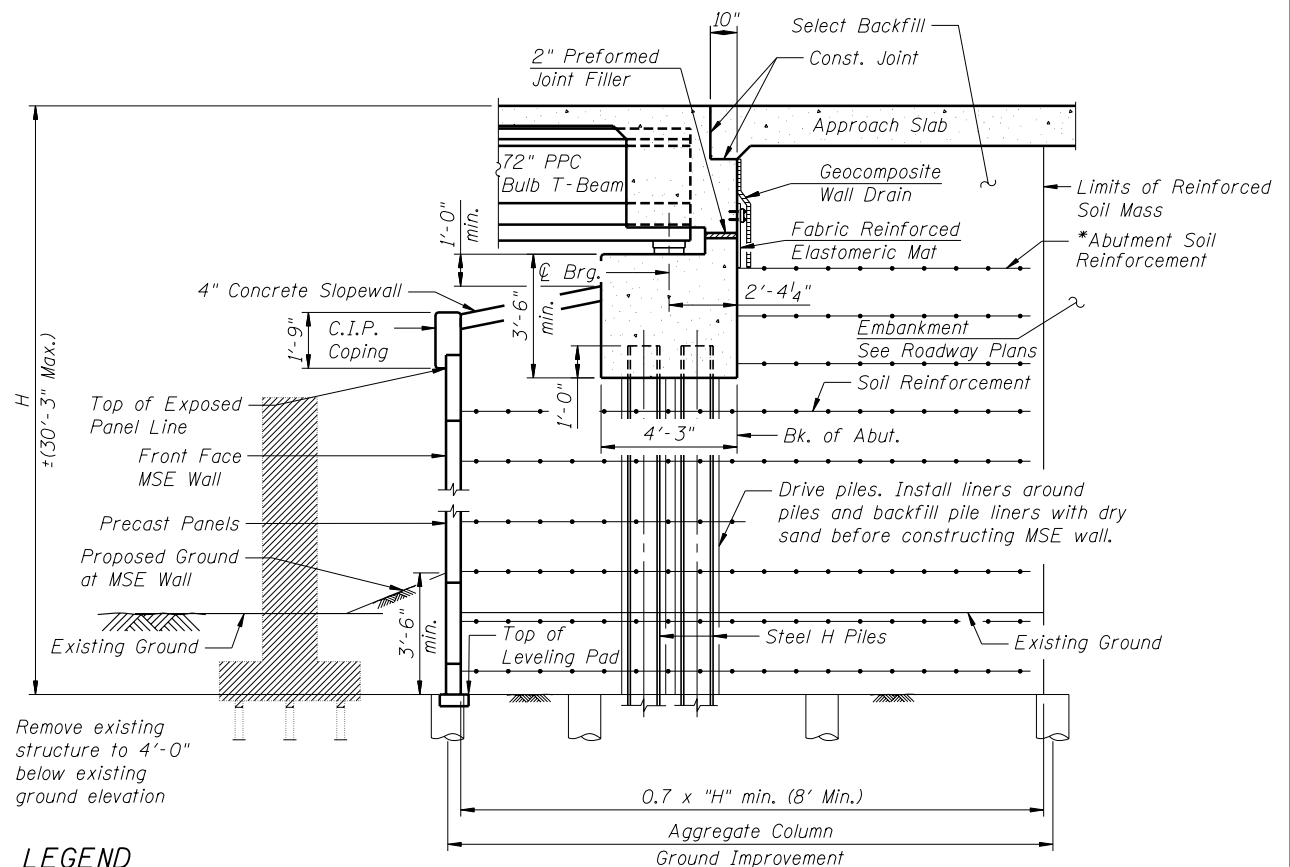
SECTION C-C
Sta. 8+51.97 to 7+88.14



COPING DETAIL (TYPICAL)

GENERAL NOTES

1. Reinforcement bars shall conform to the requirements of ASTM A 706 Gr. 60. See Special Provisions.
2. Reinforcement bars designated (E) shall be epoxy coated.
3. Cast in place concrete and reinforcement bars for coping is included in the cost for Mechanically Stabilized Earth Retaining Wall.



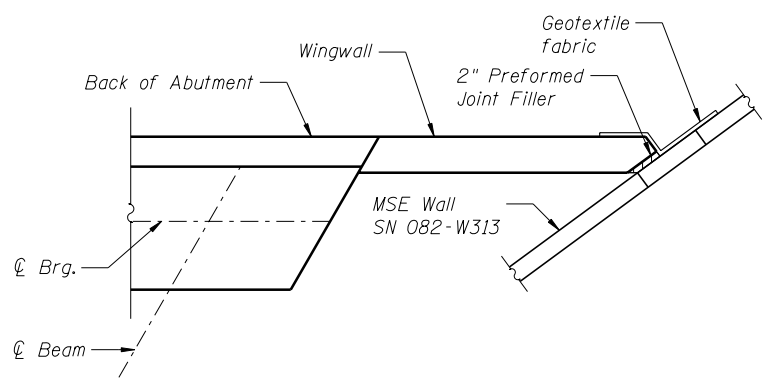
LEGEND

Structure Removal, see structure plans for SN 082-0119 & SN 082-0120

*M.S.E. wall supplier shall design and supply abutment soil reinforcement to resist earth pressure of 40 pcf equivalent fluid weight applied to back of abutment plus a longitudinal force of 1.0 kip/ft length of abutment.

SECTION THRU MSE WALL AT ABUTMENT

(Dimensions @ Rt. L's)



DETAIL 1

(E.B. East Abutment South Wingwall Shown, other locations similar)

TOTAL BILL OF MATERIAL

ITEM	UNIT	TOTAL
Structure Excavation	Cu. Yd.	920
Name Plates	Each	1
Mechanically Stabilized Earth Retaining Wall	Sq. Ft.	4,758

FILE NAME = 082W313_76884_002_Section.dgn



USER NAME = Scott Whitney	DESIGNED - PMM	REVISED -
	CHECKED - DAZ	REVISED -
PLOT SCALE = 0:2.0000 '1' / IN.	DRAWN - SAW	REVISED -
PLOT DATE = 10/18/2011	CHECKED - PMM	REVISED -

**STATE OF ILLINOIS
DEPARTMENT OF TRANSPORTATION**

**TYPICAL SECTIONS AND BILL OF MATERIAL
STRUCTURE NO. 082-W313**

SHEET NO. 2 OF 5 SHEETS

F.A.P. RTE.	SECTION	COUNTY	TOTAL SHEETS	SHEET NO.
103	27-1-VHB-1	ST. CLAIR	277	242
CONTRACT NO. 76884				
ILLINOIS FED. AID PROJECT				