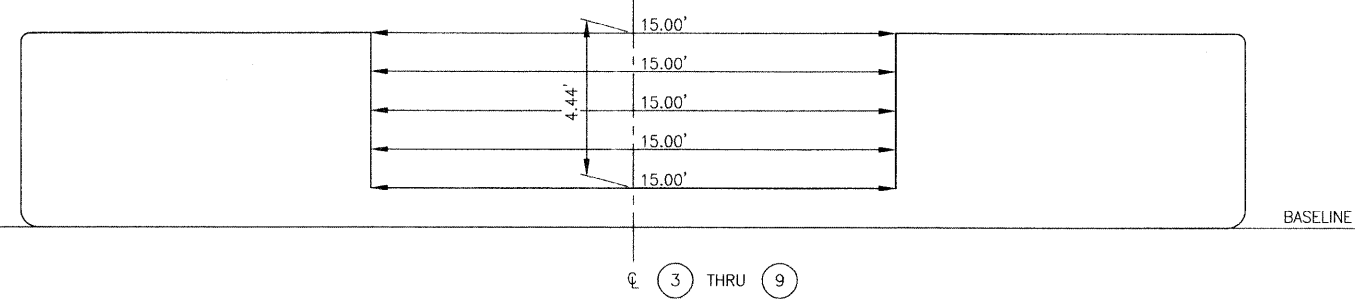
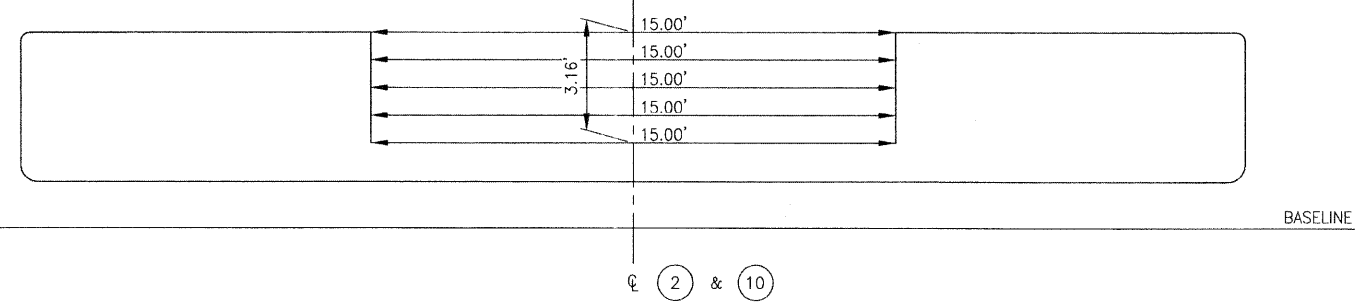
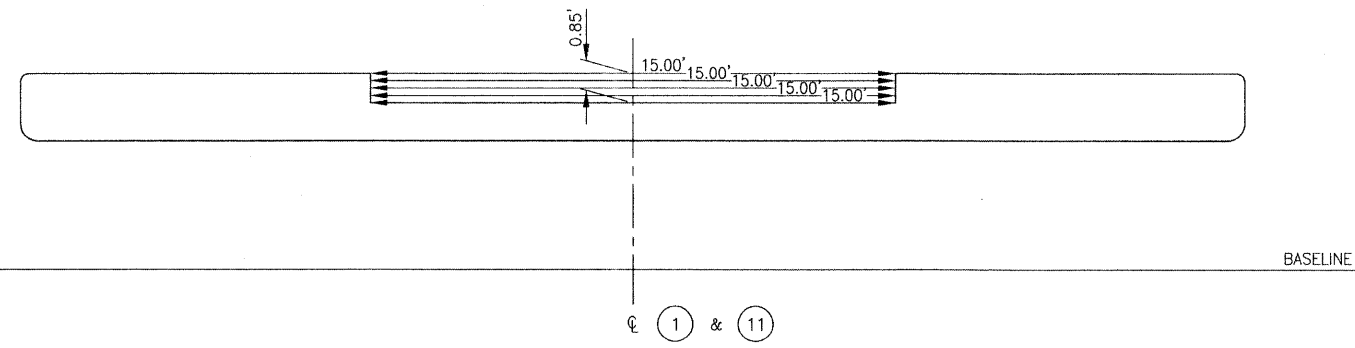


PROFILE
SCALE: 3/16" = 1'-0"

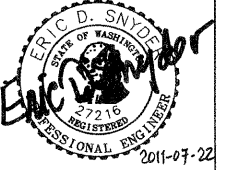
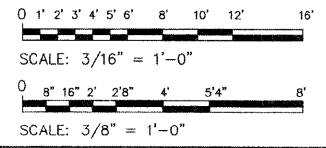


TONNAGE SECTIONS
SCALE: 3/8" = 1'-0"

	BREADTHS AND PRODUCTS																			
	SECTION 1		SECTION 2		SECTION 3		SECTION 4		SECTION 5		SECTION 6		SECTION 7		SECTION 8		SECTION 9		SECTION 10	
TONNAGE DEPTHS	0.85		3.15		4.44		4.44		4.44		4.44		4.44		4.44		3.15		0.85	
COMMON INTERVAL BETWEEN BREADTHS	0.21		0.79		1.11		1.11		1.11		1.11		1.11		1.11		0.79		0.21	
NO. OF BREADTHS	1	1	4	4	2	2	4	4	2	2	4	4	2	2	4	4	2	2	4	4
MULTI-PLIERS	1	1	2	2	1	1	2	2	1	1	2	2	1	1	2	2	1	1	2	2
BREADTHS	15.00	15.00	15.00	15.00	15.00	15.00	15.00	15.00	15.00	15.00	15.00	15.00	15.00	15.00	15.00	15.00	15.00	15.00	15.00	15.00
PRODUCTS	15.00	15.00	30.00	30.00	15.00	15.00	30.00	30.00	15.00	15.00	30.00	30.00	15.00	15.00	30.00	30.00	15.00	15.00	30.00	30.00
TOTALS.....	180.00		180.00		180.00		180.00		180.00		180.00		180.00		180.00		180.00		180.00	
1/3 COMMON INT. BETWEEN BREADTHS	0.07		0.26		0.37		0.37		0.37		0.37		0.37		0.37		0.26		0.07	
SQUARE FEET	12.60		46.80		66.60		66.60		66.60		66.60		66.60		66.60		46.80		12.60	

UNDER TONNAGE DECK			
NO. OF SECTIONS	MULTI-PLIERS	AREA IN SQUARE FEET	PRODUCTS
1	1	12.60	12.60
2	4	46.80	187.20
3	2	66.60	133.20
4	4	66.60	266.40
5	2	66.60	133.20
6	4	66.60	266.40
7	2	66.60	133.20
8	4	66.60	266.40
9	2	66.60	133.20
10	4	46.80	187.20
11	1	12.60	12.60
TOTAL.....		1731.60	
1/3 COMMON INTERVAL BETWEEN SECTIONS.....		4.433	
		7676.18	
		+100	
UNDER TONNAGE DECK AS MEASURED.....		76.76	

TONNAGE		
	TONS	100lbs
UNDER DECK TONNAGE.....	76	76
ENCLOSURE ON OR ABOVE THE TONNAGE DECK.....	00	00
GROSS TONNAGE.....	76	76



FILE NAME =	USER NAME =	DESIGNED -- E. SNYDER	REVISED -- REV A 07/21/2011
		DRAWN -- J. WALKER	REVISED --
		CHECKED -- P. MARTIN	REVISED --
		DATE -- 10/04/2010	REVISED --

STATE OF ILLINOIS
DEPARTMENT OF TRANSPORTATION

IDOT BRUSSELS FERRY
BARGE TONNAGE PLAN

F.A.P. RTE.	SECTION	COUNTY	TOTAL SHEETS	SHEET NO.
304	21-3	JERSEY	26	3
CONTRACT NO. 76D29				
FED. ROAD DIST. NO.		ILLINOIS FED. AID PROJECT		