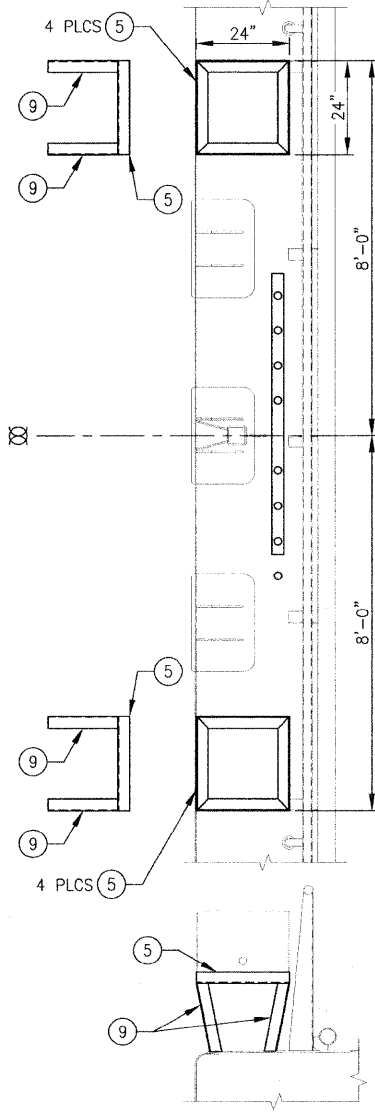
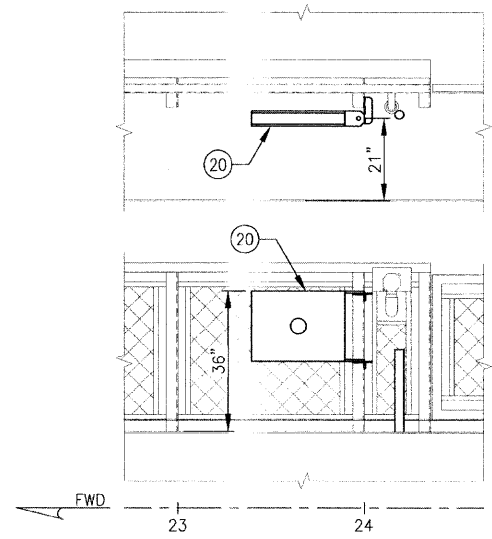


ANCHOR & WINCH
SCALE: 1/2" = 1'-0"

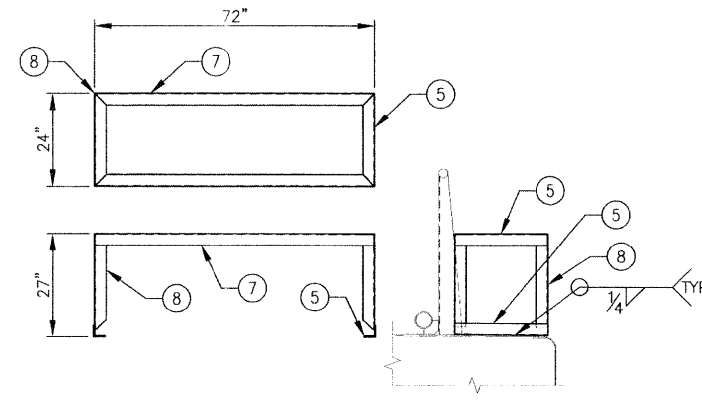
BILL OF MATERIAL			
PC NO.	QTY	EQUIPMENT	REMARK
1	14 EA	4" VENT TERMINAL	WITH SCREEN - HAYWARD OR EQUAL
2	14 EA	4" 180° LR BEND, BW, SCH 40	BLACK STEEL
3	7 EA	PIPE, 4" SCH 40 x 36" LONG	ASTM A-53
4	7 EA	PIPE, 4" SCH 40 x 69 1/2" LONG	ASTM A-53
5	28 EA	LIFE JACKET BOX SUPPORT, SIDE - ALSO FOR FIRE/BILGE PUMP	L3"x3"x3/4"x24" LONG, A-36
6	-	-	-
7	10 EA	LIFE JACKET BOX SUPPORT, FACE	L3"x3"x3/4"x72" LONG, A-36
8	20 EA	LIFE JACKET BOX SUPPORT, LEG	L3"x3"x3/4"x24 1/2" LONG, A-36
9	8 EA	BILGE PUMP SUPPORT, LEG	L3"x3"x3/4"x18" LONG, A-36
10	-	-	-
11	-	-	-
12	-	-	-
13	2 EA	FENDER DOUBLER	1" PLATE, A-36, 28"x44"
14	2 EA	FENDER	MORSE E42002 - FULL LENGTHS ON BARGE
15	-	-	-
16	1 EA	ANCHOR WINCH	NABRICO 10-6-M
17	-	-	-
18	1 EA	ANCHOR	DANFORTH 150H
19	5'+18"	ANCHOR SUPPORT & BRACE	PIPE, 3" SCH 80, ASTM A-53
20	2 EA	FIRE HOSE SUPPORT PLATE	3/4" PLATE, A-36, 18"x24" WITH 3" FLG
21	-	-	-
22	-	-	-
23	-	-	-
24	-	-	-
25	-	-	-
26	-	-	-
27	-	-	-
28	-	-	-
29	-	-	-
30	-	-	-
31	-	-	-
32	-	-	-
33	-	-	-
34	1 EA	SHOULDER NUT EYEBOLT, 1/4" SHANKx8"	FORGED STEEL, HOT DIP GALVANIZED
35	4 EA	1/4" SCREW PIN CHAIN/ANCHOR SHACKLE	CROSBY OR EQUAL
36	2 EA	8" WIRE ROPE BLOCK, BRONZE BEARING	STEEL SHEAVE, DIAMOND, WESTERN SWIVEL EYE OR EQL
37	1 EA	#5 (1/4") PADEYE	STUFFING BOX
38	1 EA	THIMBLE FOR 1/2" WIRE ROPE	FED SPEC FF-T-246b TYPE III, EXTRA HEAVY
39	3 EA	SWAGE FOR 1/2" WIRE ROPE	S-506 "COLD-TUFF" OR EQL, OR WIRE ROPE CLIPS
40	300 LF	1/2" IWRC 6x67 GALVANIZED WIRE ROPE	-



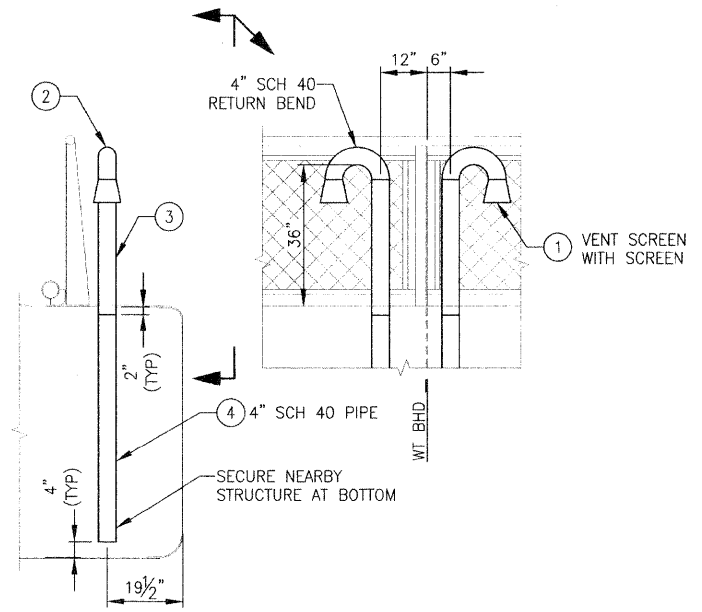
FIRE/BILGE PUMP FDN
SCALE: 1/2" = 1'-0"



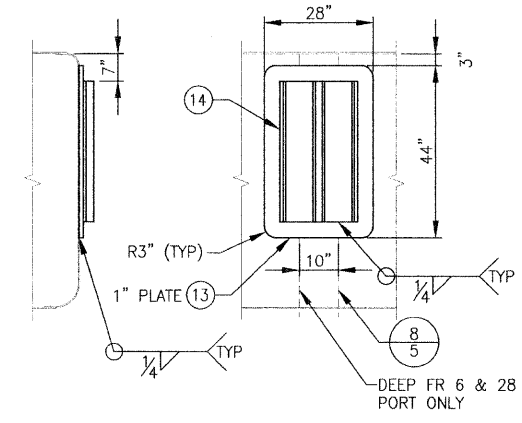
FIRE HOSE RACK FDN
SCALE: 1/2" = 1'-0"



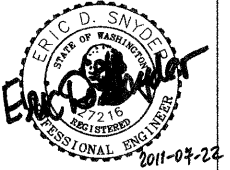
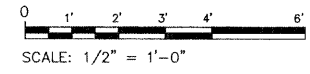
LIFE JACKET BOX FDN
SCALE: 1/2" = 1'-0"



COMPARTMENT VENT
SCALE: 1/2" = 1'-0"



BARGE FENDER ATTACHMENT
SCALE: 1/2" = 1'-0"



FILE NAME =	USER NAME =	DESIGNED -- E. SNYDER	REVISED -- REV A 07/21/2011
		DRAWN -- J. WALKER	REVISED --
		CHECKED -- P. MARTIN	REVISED --
		DATE -- 10/04/2010	REVISED --

STATE OF ILLINOIS
DEPARTMENT OF TRANSPORTATION

IDOT BRUSSELS FERRY
MISCELLANEOUS FOUNDATIONS - BARGE

F.A.P. RTE. 304	SECTION 21-3	COUNTY JERSEY	TOTAL SHEETS 26	SHEET NO. 10
DRAWING NO. CEIDT001BA-180-201		CONTRACT NO. 76D29		