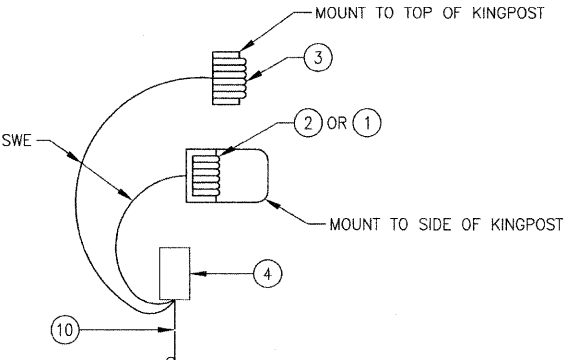
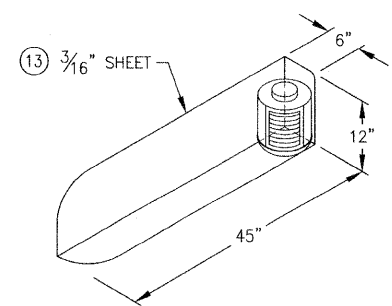


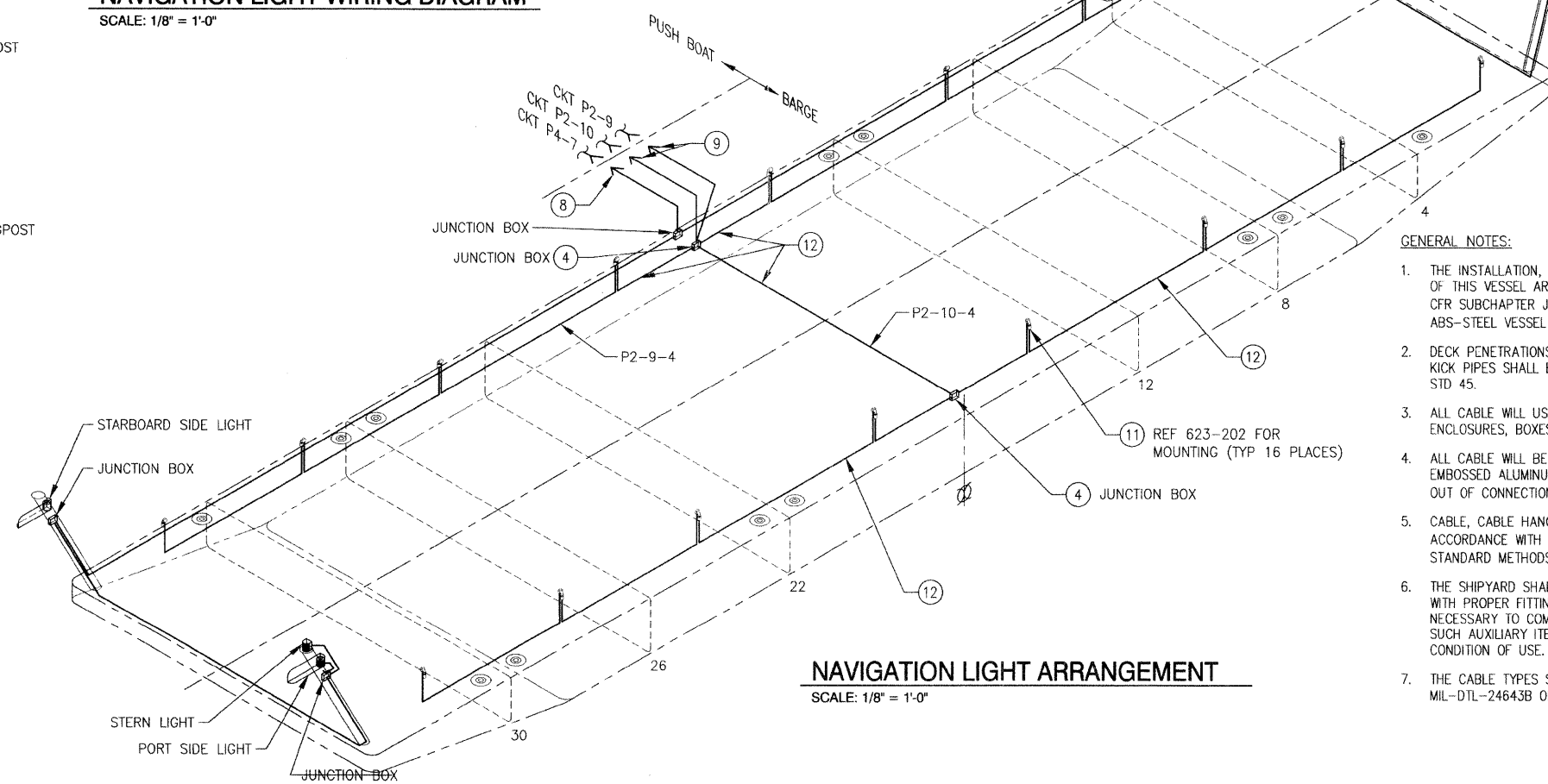
NAVIGATION LIGHT WIRING DIAGRAM
SCALE: 1/8" = 1'-0"



A **DETAIL AT KINGPOST**
REF 584-201
SCALE: 3/4" = 1'-0"



B **SIDE LIGHT GUARD**
FOUR PLACES
SCALE: 3/4" = 1'-0"



NAVIGATION LIGHT ARRANGEMENT
SCALE: 1/8" = 1'-0"

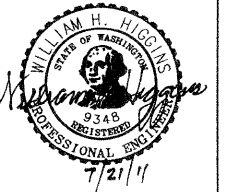
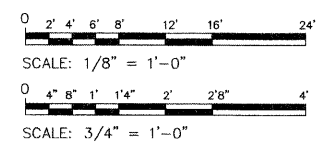
NOTE:
1. VERIFY THAT THE PLUG/RECEPTACLE ARRANGEMENT AND PIN CONNECTIONS ARE IDENTICAL TO THAT OF THE "BELLE OF CALHOUN"

SEE NOTE 1
SEE NOTE 1
SEE NOTE 1

BILL OF MATERIAL			
PC NO.	QTY	EQUIPMENT	REMARK
1	2 EA	PORT SIDE LIGHT, 112.5", RED, W/3' 16/3-SO	PERKO 1127RAOBLK OR EQUAL
2	2 EA	STBD SIDE LIGHT, 112.5", GREEN, W/3' 16/3-SO	PERKO 1127GAOBLK OR EQUAL
3	2 EA	STERN LIGHT, 135", WHITE, W/3' 16/3-SO	PERKO 1129AOOBLK OR EQUAL
4	7 EA	JUNCTION BOX W/4 TERMINALS	WATERTIGHT, PAULUHN 580 OR EQUAL
5	1 EA	RECEPTACLE, COLE-HERSEE	20A, 4 POLE, NO 1232
6	-	-	-
7	AS REQ	CABLE, 3-CONDUCTOR	AWG 10-3, TYPE G
8	-	PLUG, TO MATE WITH PIECE NUMBER 5	COLE HERSEE NO 1233
9	2 EA	PLUG 30A, 125V HUBBELL	HBL26CM11, HBL60CM31
10	AS REQ	CABLE, 3-CONDUCTOR, 600V, 60' SERVICE W/GROUND	AWG 10-3, TYPE LSTSGU-9
11	16 EA	WATERTIGHT GLOBE LIGHT, PAULUHN OR EQUAL POLYCARBONATE OR CYCOLAC GLOBE	707A, WITH YELLOW GLOBE & 100W BULB
12	AS REQ	CABLE, 2-CONDUCTOR, 600V, 60' SERVICE	AWG 14-2, TYPE LSDSGU-4
13	AS REQ	3/16" SHEET, SIDE LIGHT GUARDS	ASTM A36

GENERAL NOTES:

1. THE INSTALLATION, MATERIAL AND METHODS USED IN THE CONSTRUCTION OF THIS VESSEL ARE TO COMPLY WITH USCG REQUIREMENTS FOUND IN 46 CFR SUBCHAPTER J (PARTS 110 THROUGH 113), STANDARDS FOUND IN ABS-STEEL VESSEL RULES (PART 4), AND IN IEEE STD 45.
2. DECK PENETRATIONS SUCH AS WATERTIGHT STUFFING TUBES, TRANSITS AND KICK PIPES SHALL BE USED WHERE REQUIRED, IN ACCORDANCE WITH IEEE STD 45.
3. ALL CABLE WILL USE WATERTIGHT FITTINGS AND BE BOTTOM ENTRY INTO ENCLOSURES, BOXES, AND EQUIPMENT.
4. ALL CABLE WILL BE TAGGED WITH ITS UNIQUE CIRCUIT DESIGNATION USING EMBOSSED ALUMINUM TAGS ON EACH SIDE OF A PENETRATION, INTO AND OUT OF CONNECTION BOXES AND/OR EQUIPMENT.
5. CABLE, CABLE HANGERS AND CABLE PENETRATIONS SHALL BE INSTALLED IN ACCORDANCE WITH DOD-STD 2003 (ELECTRIC PLANT INSTALLATION STANDARD METHODS).
6. THE SHIPYARD SHALL PROVIDE ALL PROPERLY SIZED CONNECTION BOXES WITH PROPER FITTINGS, CABLE STRAIN RELIEFS AND MOUNTING SUPPORTS NECESSARY TO COMPRISE A COMPLETE AND FINISHED INSTALLATION. ALL SUCH AUXILIARY ITEMS SHALL BE MARINE GRADE AND UL LISTED FOR THE CONDITION OF USE.
7. THE CABLE TYPES SHOWN ON THE DRAWINGS ARE TO BE LOW SMOKE, MIL-DTL-24643B OR EQUAL.



FILE NAME =	USER NAME =	DESIGNED -- W. HIGGINS	REVISED -- REV A 07/21/2011
		DRAWN -- R. MANANSALA	REVISED --
		CHECKED -- P. MARTIN	REVISED --
		DATE -- 10/04/2010	REVISED --

**STATE OF ILLINOIS
DEPARTMENT OF TRANSPORTATION**

**IDOT BRUSSELS FERRY
NAVIGATION AND DECK LIGHTS**

F.A.P. RTE. 304	SECTION 21-3	COUNTY JERSEY	TOTAL SHEETS 26	SHEET NO. 11
SCALE: AS SHOWN		CONTRACT NO. 76D29		
SHEET NO. OF SHEETS		STA. TO STA.		
FED. ROAD DIST. NO.		ILLINOIS FED. AID PROJECT		