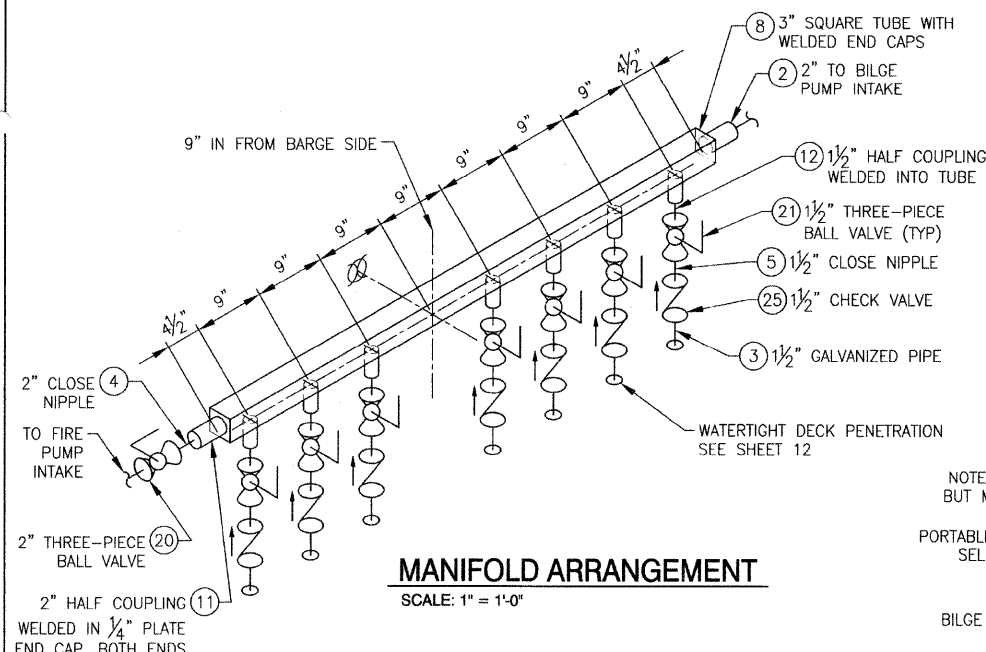
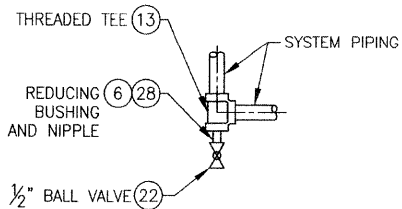


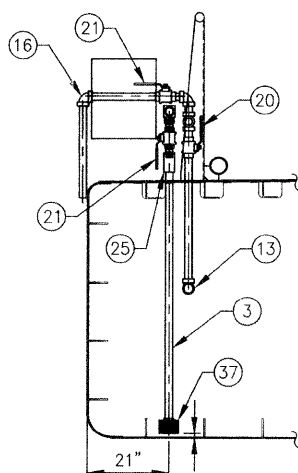
PORT PROFILE
HORIZONTAL SCALE: 3/32" = 1'-0"
VERTICAL SCALE: 3/16" = 1'-0"



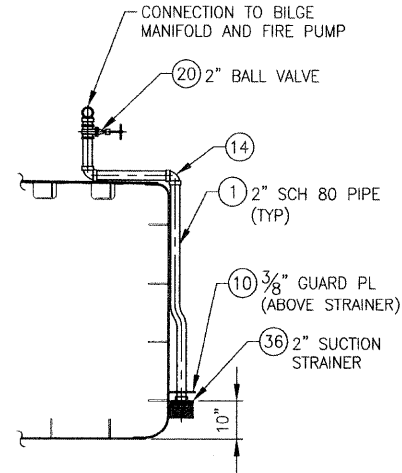
MANIFOLD ARRANGEMENT
SCALE: 1" = 1'-0"



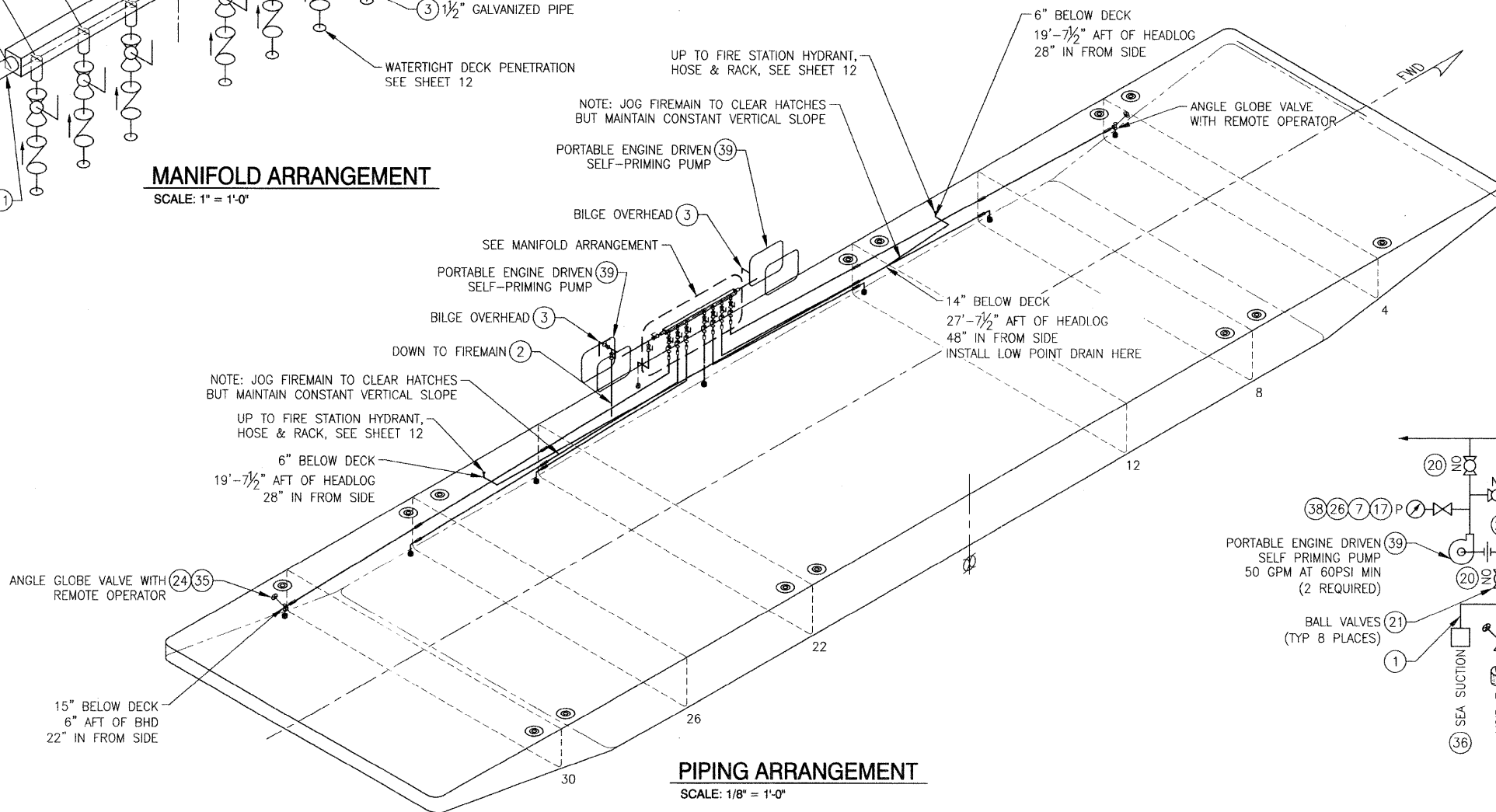
TYPICAL LOW POINT DRAIN
SCALE: 1" = 1'-0"



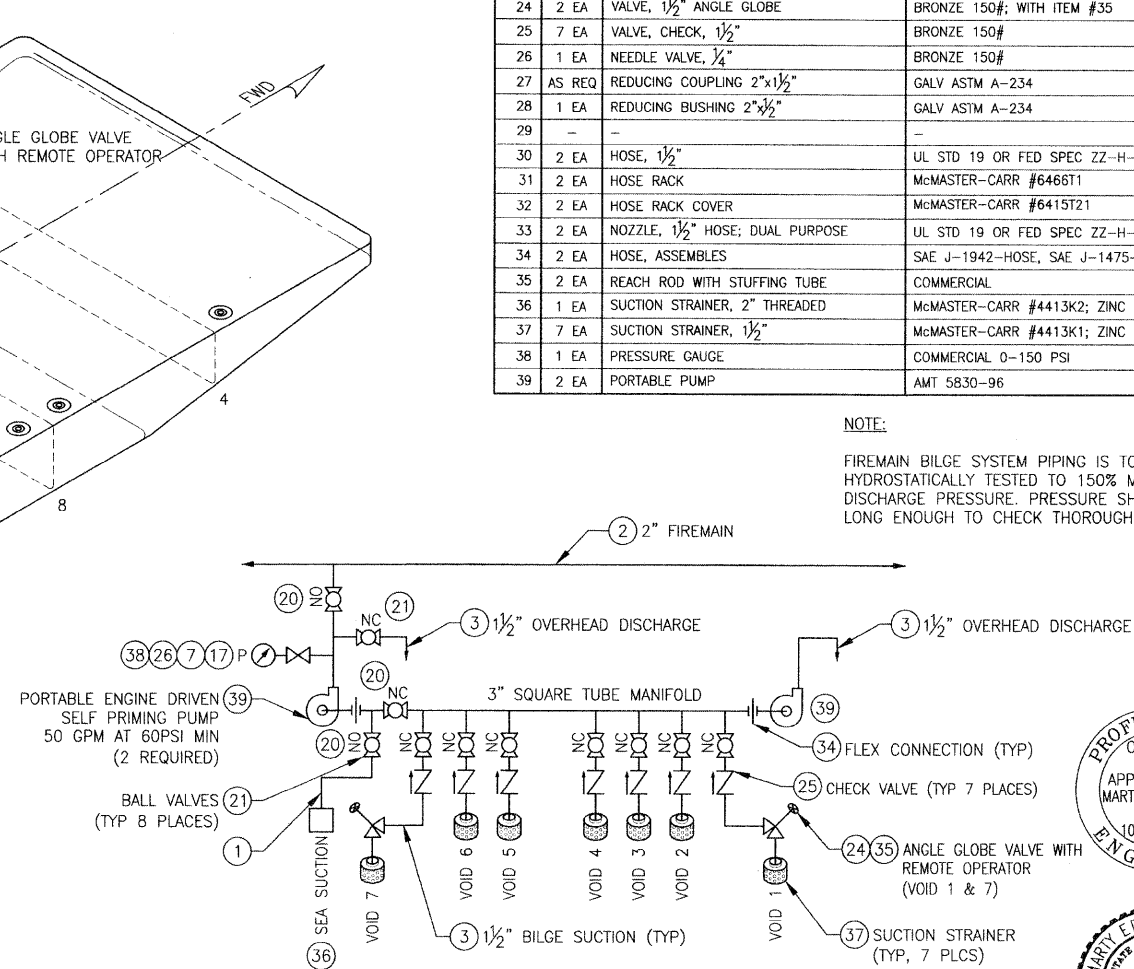
SECTION AT MAINFOLD
SCALE: 1/2" = 1'-0"



SEA SUCTION ARRANGEMENT
SCALE: 1/2" = 1'-0"



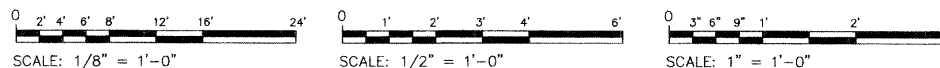
PIPING ARRANGEMENT
SCALE: 1/8" = 1'-0"



SCHEMATIC
SCALE: NONE

BILL OF MATERIAL			
PC NO.	QTY	DESCRIPTION	MATERIAL/SPECIFICATION/REMARKS
1	AS REQ	PIPE, 2" SCH 80	ASTM A-53
2	AS REQ	PIPE, 2" SCH 40	ASTM A-53
3	AS REQ	PIPE, 1 1/2" SCH 40	ASTM A-53
4	AS REQ	NIPPLE, 2" SCH 40 CLOSE	GALV ASTM A-53
5	AS REQ	NIPPLE, 1 1/2" SCH 40 CLOSE	GALV ASTM A-53
6	AS REQ	NIPPLE, 1/2" SCH 40 CLOSE	GALV ASTM A-53
7	AS REQ	NIPPLE, 3/4" SCH 40 CLOSE	GALV ASTM A-53
8	6 FT	STEEL TUBE, 3"x3"x1/4"	ASTM A-500 GRADE B
9	AS REQ	FB 1/4"x1" (HANGERS & BRACKETS)	ASTM A-36 STEEL, SEE SHEET 12
10	AS REQ	PLATE, 3/8"	ASTM A-36 STEEL
11	2 EA	HALF COUPLING, 2"	GALV ASTM A-234
12	7 EA	HALF COUPLING 1 1/2"	GALV ASTM A-234
13	AS REQ	TEE, 2"	GALV ASTM A-234
14	AS REQ	ELBOW, 2" 90°	GALV ASTM A-234
15	AS REQ	ELBOW, 2" 45°	GALV ASTM A-234
16	AS REQ	ELBOW, 1 1/2" 90°	GALV ASTM A-234
17	1 EA	WELDOLET 1/4"	COMMERCIAL
18	AS REQ	UNION, 2", THREADED OR SOCKET WELDED	GALV ASTM A-105
19	AS REQ	UNION, 1 1/2", THREADED OR SOCKET WELDED	GALV ASTM A-105
20	3 EA	VALVE, 2" THREADED BALL	BRONZE 150#
21	8 EA	VALVE, 1 1/2" THREADED BALL	BRONZE 150#; 3 PIECE
22	1 EA	VALVE, 1/2" THREADED BALL	BRONZE 150#
23	2 EA	VALVE, 1 1/2" HYDRANT; ANGLE HOSE	BRONZE 150#; ELKHART OR EQUAL
24	2 EA	VALVE, 1 1/2" ANGLE GLOBE	BRONZE 150#; WITH ITEM #35
25	7 EA	VALVE, CHECK, 1 1/2"	BRONZE 150#
26	1 EA	NEEDLE VALVE, 1/4"	BRONZE 150#
27	AS REQ	REDUCING COUPLING 2"x1 1/2"	GALV ASTM A-234
28	1 EA	REDUCING BUSHING 2"x1 1/2"	GALV ASTM A-234
29	-	-	-
30	2 EA	HOSE, 1 1/2"	UL STD 19 OR FED SPEC ZZ-H-451-E
31	2 EA	HOSE RACK	McMASTER-CARR #6468T1
32	2 EA	HOSE RACK COVER	McMASTER-CARR #6415T21
33	2 EA	NOZZLE, 1 1/2" HOSE; DUAL PURPOSE	UL STD 19 OR FED SPEC ZZ-H-451-E
34	2 EA	HOSE, ASSEMBLES	SAE J-1942-HOSE, SAE J-1475-FITTINGS
35	2 EA	REACH ROD WITH STUFFING TUBE	COMMERCIAL
36	1 EA	SUCTION STRAINER, 2" THREADED	McMASTER-CARR #4413K2; ZINC PLATED STEEL
37	7 EA	SUCTION STRAINER, 1 1/2"	McMASTER-CARR #4413K1; ZINC PLATED STEEL
38	1 EA	PRESSURE GAUGE	COMMERCIAL 0-150 PSI
39	2 EA	PORTABLE PUMP	AMT 5830-96

NOTE:
FIREMAIN BILGE SYSTEM PIPING IS TO BE HYDROSTATICALLY TESTED TO 150% MAXIMUM PUMP DISCHARGE PRESSURE. PRESSURE SHALL BE HELD LONG ENOUGH TO CHECK THOROUGHLY FOR LEAKS.



FILE NAME =	USER NAME =	DESIGNED - M. McKay	REVISED - REV A 07/21/2011
		DRAWN - R. MANANSALA	REVISED -
		CHECKED - P. MARTIN	REVISED -
		DATE - 10/04/2010	REVISED -

STATE OF ILLINOIS
DEPARTMENT OF TRANSPORTATION

IDOT BRUSSELS FERRY
FIREMAIN AND BILGE PIPING - BARGE

SCALE: AS SHOWN SHEET NO. OF SHEETS STA. TO STA.

F.A.P. RITE.	SECTION	COUNTY	TOTAL SHEETS	SHEET NO.
304	21-3	JERSEY	26	13
FED. ROAD DIST. NO.		ILLINOIS	FED. AID PROJECT	
		CONTRACT NO. 76D29		

DRAWING NO. CEIDT001BA-529-201