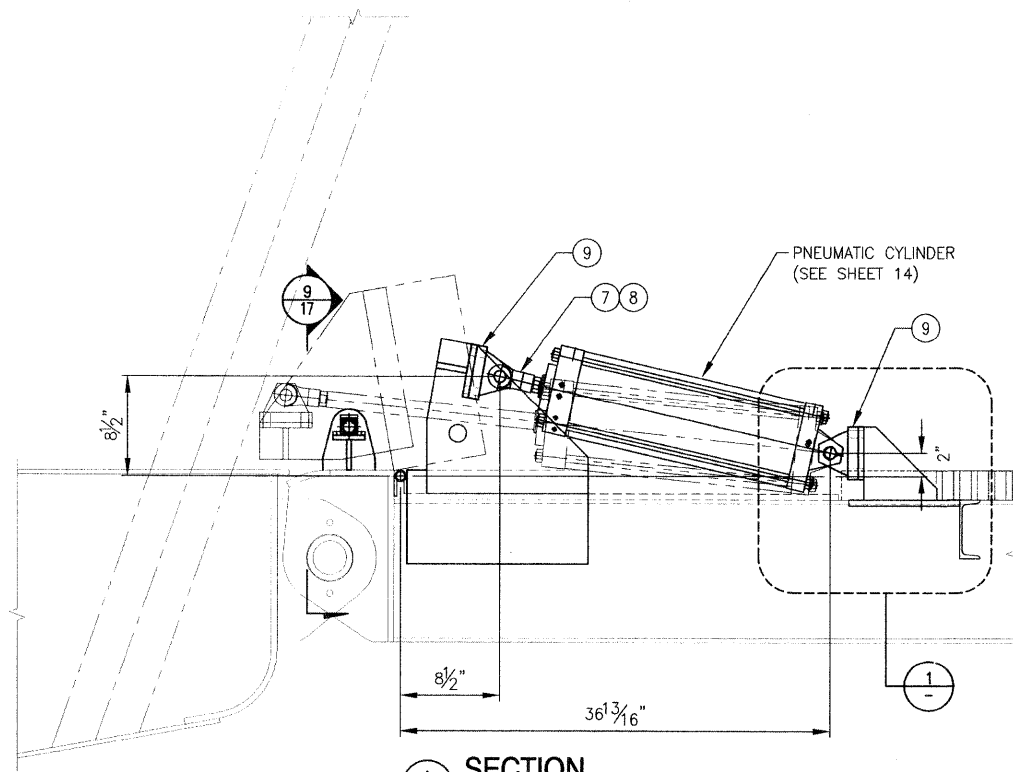
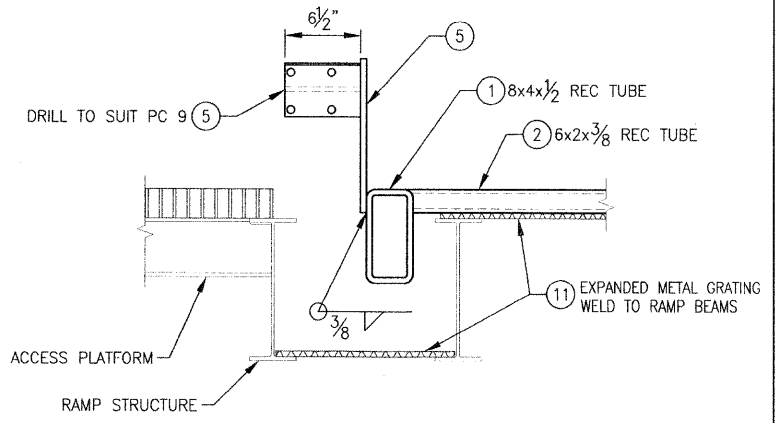


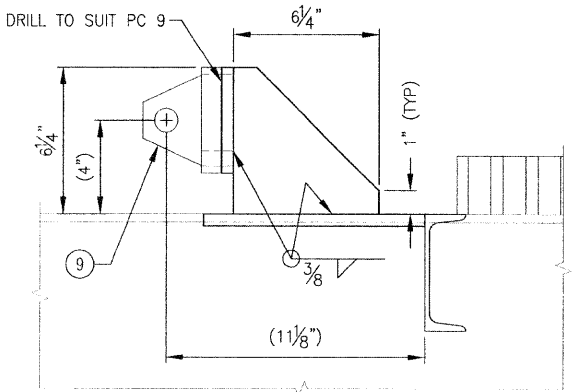
SAFETY BARRIER PLAN
SCALE: 1/2" = 1'-0"



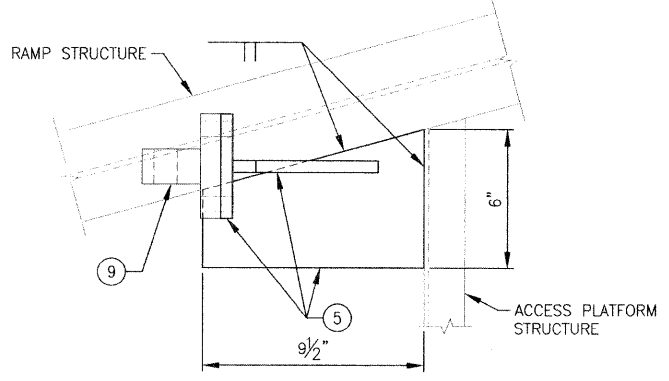
SECTION A
LOWERED POSITION SHOWN
SCALE: 1-1/2" = 1'-0"



SECTION B
SCALE: 1-1/2" = 1'-0"



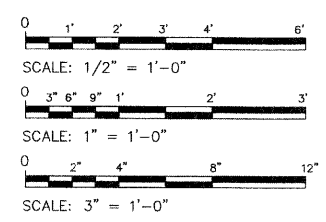
1 DETAIL
SCALE: 3" = 1'-0"



2 DETAIL
SCALE: 3" = 1'-0"

BILL OF MATERIAL			
PC NO.	QTY	DESCRIPTION	MATERIAL/SPECIFICATION/REMARKS
1	AS REQ	STRUCTURAL TUBE 8"x4"x1/2"	ASTM A500
2	AS REQ	STRUCTURAL TUBE 6"x2"x3/8"	ASTM A500
3	AS REQ	STRUCTURAL TUBE 4"x2"x5/16"	ASTM A500
4	AS REQ	STRUCTURAL TUBE 3"x2"x1/4"	ASTM A500
5	AS REQ	PLATE, 1/2"	ASTM A36
6	4 EA	ROUND BAR 1"x3" LONG	AMTM A572 GR65
7	4 EA	FEMALE ROD CLEVIS	PARKER HANNIFIN 50944
8	4 EA	PIVOT PIN	PARKER HANNIFIN 68370
9	8 EA	MOUNTING PLATE	PARKER HANNIFIN 85361
10	AS REQ	PLATE, 3/8"	ASTM A36
11	AS REQ	GRATING, EXPANDED METAL	MCNICHOLS 2.00#/SF 0.460" THICK
12	AS REQ	PLATE 1/4"	STAINLESS 304
13	AS REQ	TUBE, 1"x0.12" WALL THICK	STAINLESS 304, ASTM A269
14	2 EA	ROUND BAR 0.71"x13" LONG	STAINLESS 316 OR 303
15	AS REQ	BOLT, HEX, 3/8"-16UNC-2A-1 1/4" LONG	FULLY THREADED, ASTM A354
16	AS REQ	NUT, HEX, 3/8"-16UNC-2B	GRADE 8
17	AS REQ	WASHER, 3/8", OD 0.813	STAINLESS 316

NOTE:
THIS DRAWING WAS DEVELOPED USING PNEUMATIC SPECIFIED ON SHEET 14. SUBJECT TO OWNERS WRITTEN APPROVAL THE CONTRACTOR MAY SELECT DIFFERENT CYLINDERS PROVIDED THEY DEMONSTRATE THE GEOMETRY, MATERIALS, LIFTING CAPACITY, AND OPERATION, INCLUDING THE LOCKING MECHANISM, HAVE THE SAME SALIGNT FEATURES AS DESIGNED.



FILE NAME =	USER NAME =	DESIGNED -- M. McKay	REVISED -- REV A 07/21/2011
		DRAWN -- J. WALKER	REVISED --
		CHECKED -- P. MARTIN	REVISED --
		DATE -- 10/04/2010	REVISED --

STATE OF ILLINOIS
DEPARTMENT OF TRANSPORTATION

IDOT BRUSSELS FERRY
SAFETY BARRIER - STRUCTURE

SCALE: AS SHOWN SHEET NO. OF SHEETS STA. TO STA.

F.A.P. RTE.	SECTION	COUNTY	TOTAL SHEETS	SHEET NO.
304	21-3	JERSEY	26	16
CONTRACT NO.			76D29	
FED. ROAD DIST. NO.		ILLINOIS	FED. AID PROJECT	

DRAWING NO. CEIDT001BA-575-201