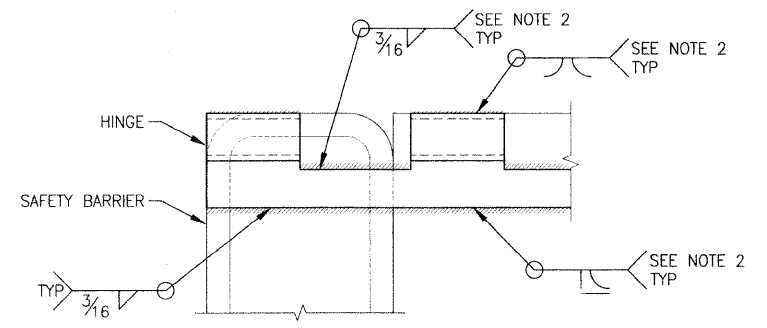
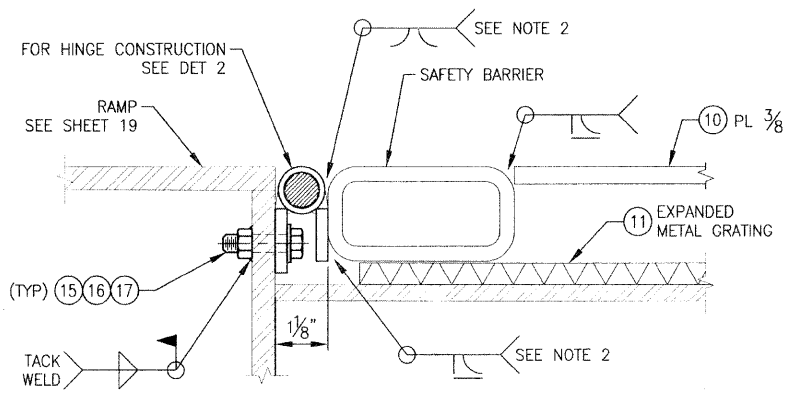


3 SAFETY BARRIER ASSEMBLY
SCALE: 1/2" = 1'-0"

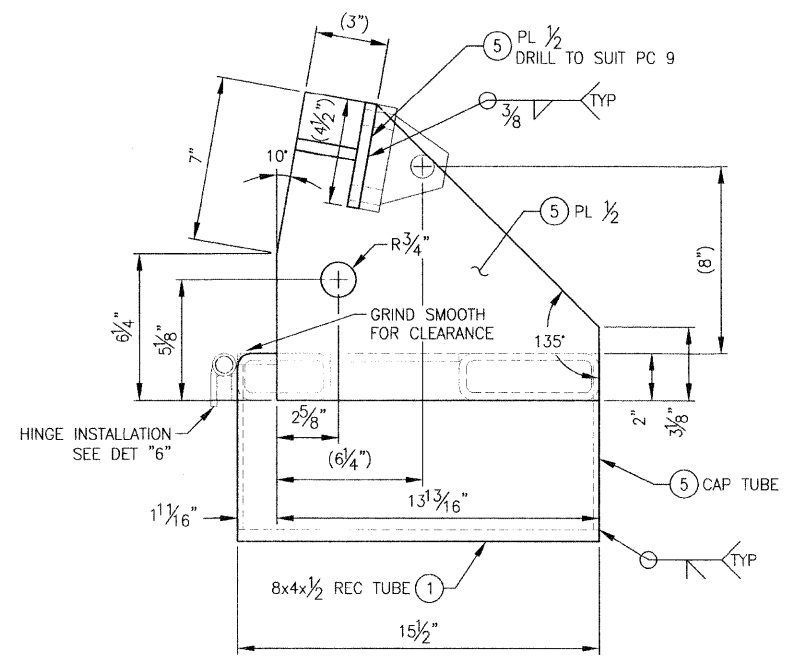
4 HINGE INSTALLATION - RAMP
SCALE: 3" = 1'-0"



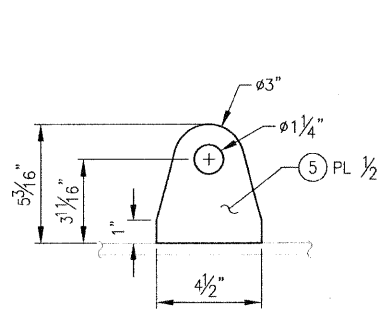
5 HINGE INSTALLATION - SAFETY BARRIER
SCALE: 6" = 1'-0"



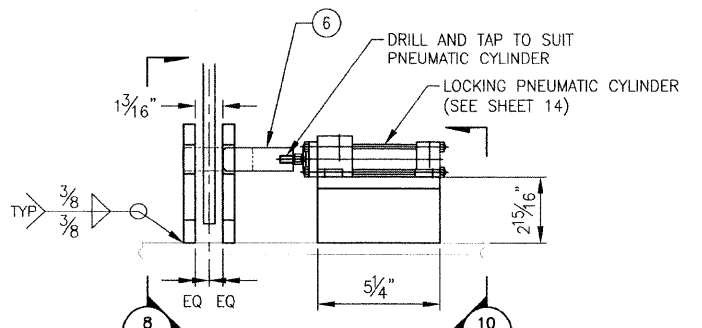
6 HINGE INSTALLATION
SCALE: 6" = 1'-0"



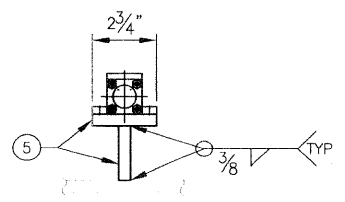
7 DETAIL
SCALE: 3" = 1'-0"



8 DETAIL
SCALE: 3" = 1'-0"

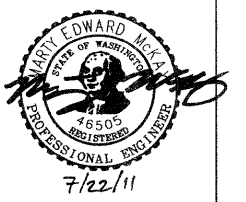
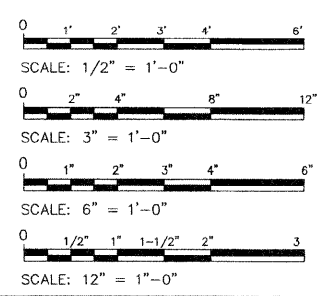


9 DETAIL
SCALE: 3" = 1'-0"



10 DETAIL
SCALE: 3" = 1'-0"

- NOTES:
- MATERIAL LIST SHOWN ON SHEET 16
 - WELDS ADDRESSING THIS NOTE ARE USED TO FABRICATE THE HINGE ASSEMBLIES. WELD PROCEDURES USED SHALL AVOID CAUSING ANY DEFORMATION, DISTORTION, OR ALIGNMENT OF THE PIN.
 - GREASE THE HINGE PIN DURING FINAL ASSEMBLY USING A PRODUCT SUITABLE FOR A MARINE ENVIRONMENT.
 - TACK WELD HINGE PINS TO SAFETY BARRIER AFTER FINAL ASSEMBLY.
 - TEMPLATE LOCATION OF LOCKING CYLINDERS AND LOCKING PLATES TO SUIT FINAL INSTALLATION OF SAFETY BARRIER.



FILE NAME =	USER NAME =	DESIGNED -- M. McKay	REVISED -- REV A 07/21/2011
		DRAWN -- J. WALKER	REVISED --
	PLOT SCALE =	CHECKED -- P. MARTIN	REVISED --
	PLOT DATE =	DATE -- 10/04/2010	REVISED --

STATE OF ILLINOIS
DEPARTMENT OF TRANSPORTATION

IDOT BRUSSELS FERRY SAFETY BARRIER - DETAILS			
SCALE: AS SHOWN	SHEET NO. OF SHEETS	STA. TO STA.	

F.A.P. RTE. 304	SECTION 21-3	COUNTY JERSEY	TOTAL SHEETS 26	SHEET NO. 17
CONTRACT NO. 76D29			FED. ROAD DIST. NO. ILLINOIS FED. AID PROJECT	