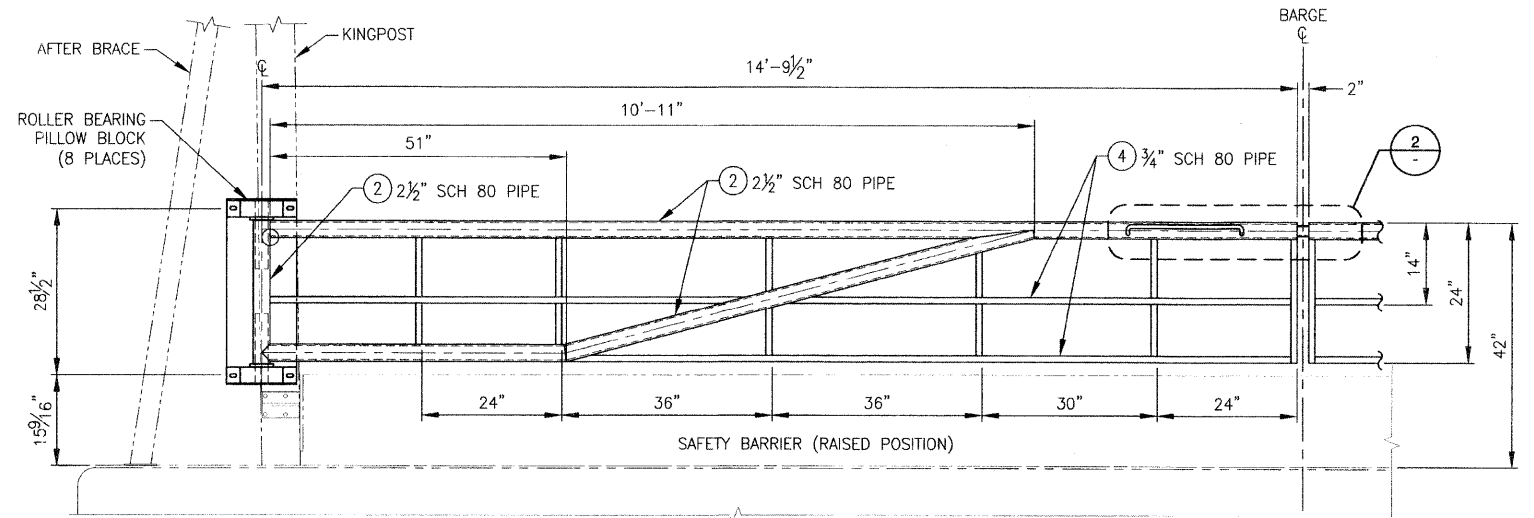
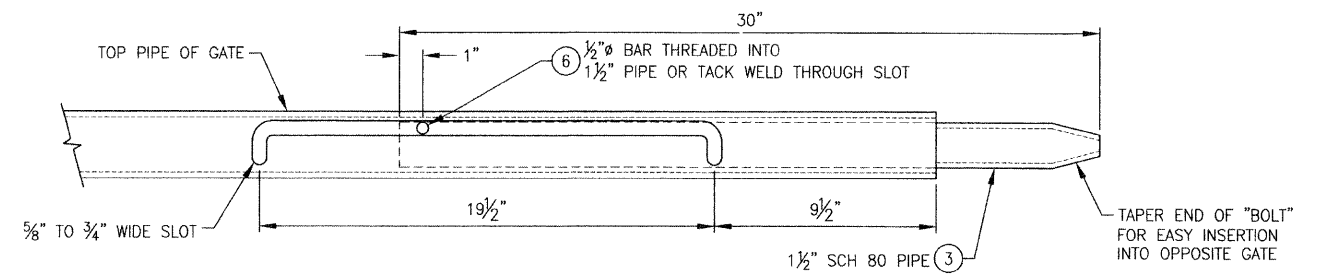


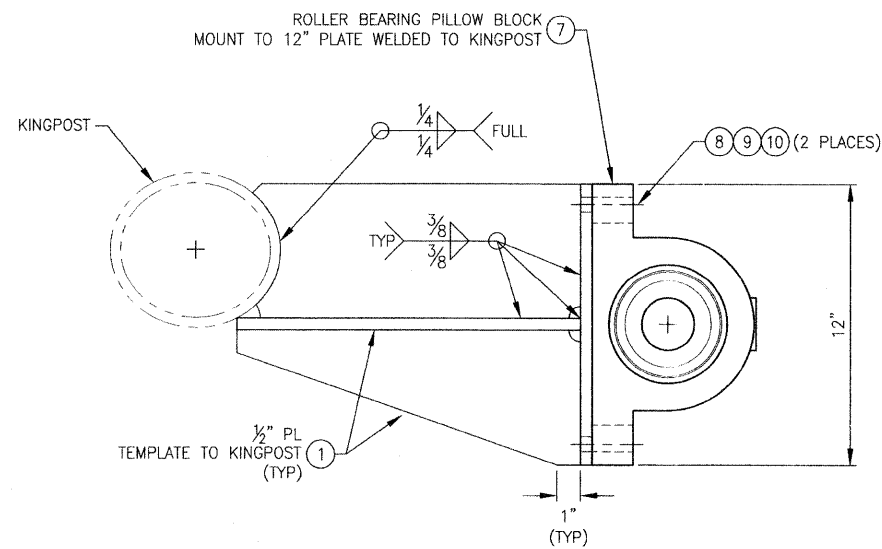
SWING GATE - ELEVATION
SCALE: 1-1/2" = 1'-0"



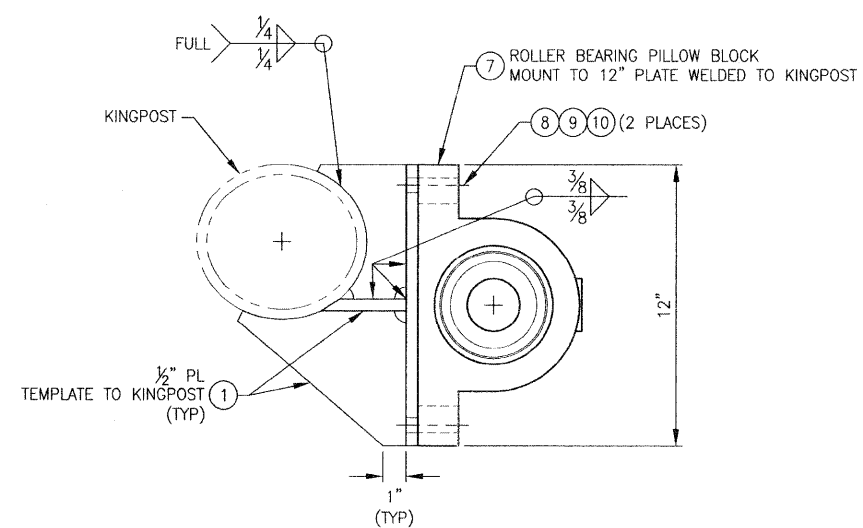
1 SWING GATE - SECTION
SCALE: 3" = 1'-0"



2 DETAIL
SCALE: 3" = 1'-0"

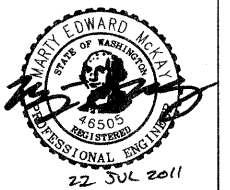
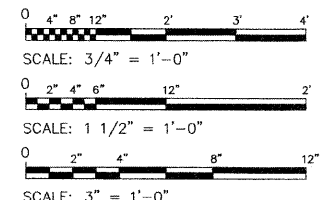


3 DETAIL
SCALE: 3" = 1'-0"



4 DETAIL
SCALE: 3" = 1'-0"

BILL OF MATERIAL			
PC NO.	QTY	DESCRIPTION	MATERIAL/SPECIFICATION/REMARKS
1	AS REQ	PLATE, 1/2"	ASTM A36
2	AS REQ	PIPE, 2 1/2" SCH 80	ASTM A53
3	AS REQ	PIPE, 1 1/2" SCH 80	ASTM A53
4	AS REQ	PIPE, 3/4" SCH 80	ASTM A53
5	16 EA	ROUND BAR 2 1/4"x12" LONG	AMTM A572 GR65
6	AS REQ	ROUND BAR 1/2"x3" LONG	AMTM A572 GR65
7	8 EA	TAPERED ROLLER BEARING PILLOW BLOCK, 2 1/4" TYPE "K"	DODGE 023178 OR EQUAL
8	16 EA	BOLT, HEX, 5/8"-11UNC-2A-3 1/2" LONG	FULLY THREADED, ASTM A354
9	16 EA	NUT, HEX, 5/8"-11UNC-2B	GRADE 8
10	16 EA	WASHER, 5/8", OD 1.500	STAINLESS 316



FILE NAME =	USER NAME =	DESIGNED -- M. MCKAY	REVISED --
		DRAWN -- J. WALKER	REVISED --
		CHECKED -- P. MARTIN	REVISED --
		DATE -- 07/21/2011	REVISED --

STATE OF ILLINOIS
DEPARTMENT OF TRANSPORTATION

IDOT BRUSSELS FERRY
SWING GATE - ARRANGEMENT AND DETAILS

F.A.P. RTE.	SECTION	COUNTY	TOTAL SHEETS	SHEET NO.
304	21-3	JERSEY	26	18
FED. ROAD DIST. NO.		ILLINOIS	CONTRACT NO. 76D29	
		FED. AID PROJECT		