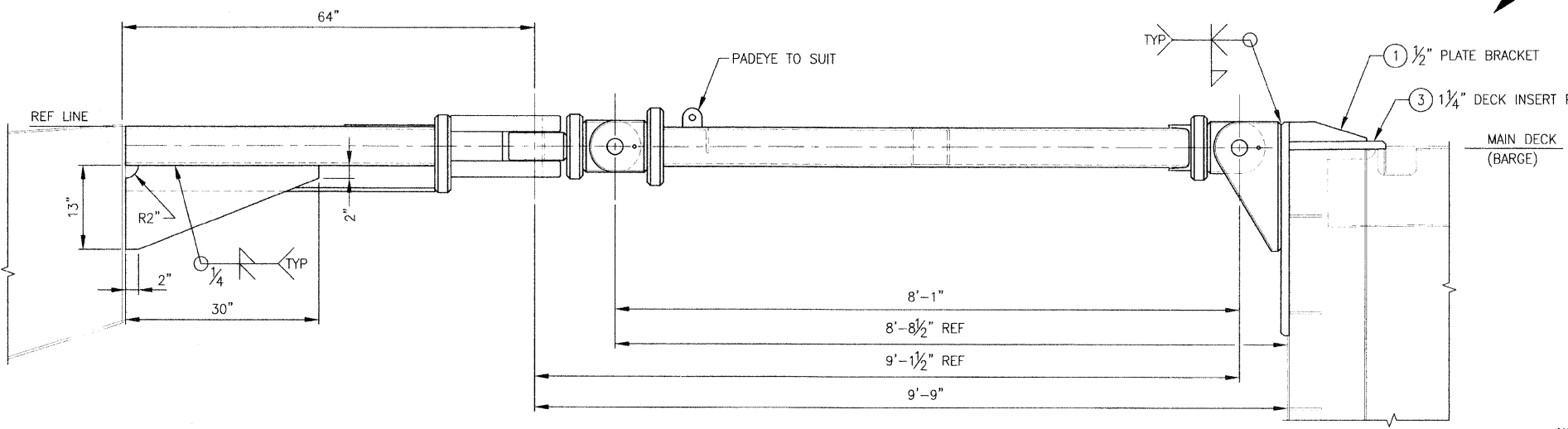
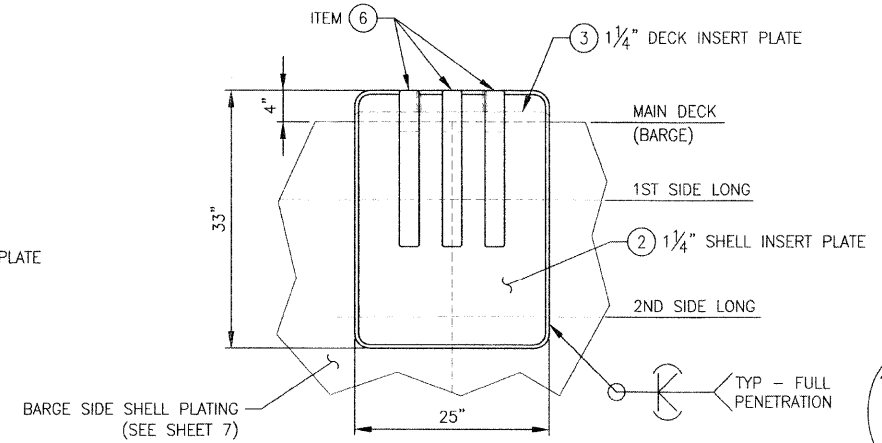


1 KEY PLAN  
TOW LINKAGE YOKE/A-FRAME ARRANGEMENT  
SCALE: 3/8" = 1'-0"



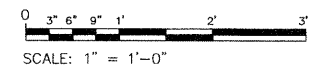
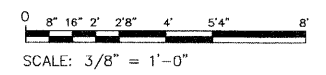
2 PUSHBOAT YOKE DETAIL  
1 ASSEMBLY REQUIRED  
SCALE: 1" = 1'-0"

3 BARGE "A-FRAME" DETAIL  
1 ASSEMBLY REQUIRED  
SCALE: 1" = 1'-0"



4 DETAIL  
TYPICAL 3 PLACES  
SCALE: 1" = 1'-0"

NOTE:  
SEE SHEET 22 FOR BILL OF MATERIALS



FILE NAME =	USER NAME =	DESIGNED -- E. SNYDER	REVISED -- REV A 07/21/2011
		DRAWN -- J. WALKER	REVISED --
		CHECKED -- P. MARTIN	REVISED --
		DATE -- 10/04/2010	REVISED --

STATE OF ILLINOIS  
DEPARTMENT OF TRANSPORTATION

IDOT BRUSSELS FERRY  
TOW LINKAGE - STRUCTURE

SCALE: NTS SHEET NO. OF SHEETS STA. TO STA.

F.A.P. RTE. 304	SECTION 21-3	COUNTY JERSEY	TOTAL SHEETS 26	SHEET NO. 21
CONTRACT NO. 76D29			DRAWING NO. CEIDT001BA-611-201	