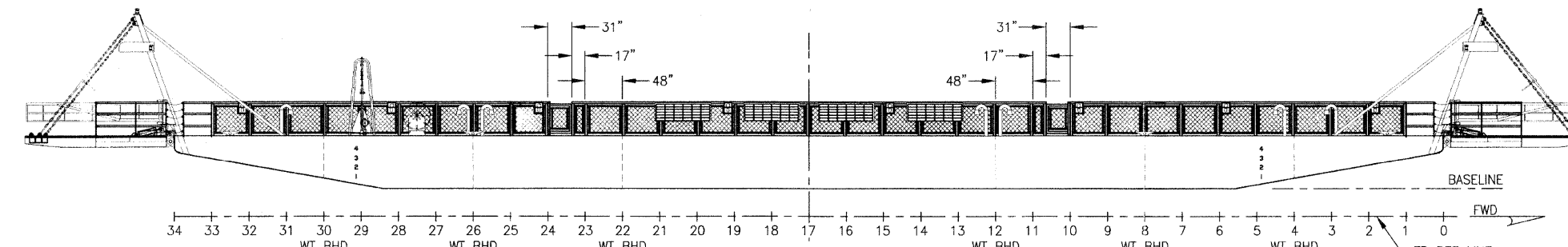


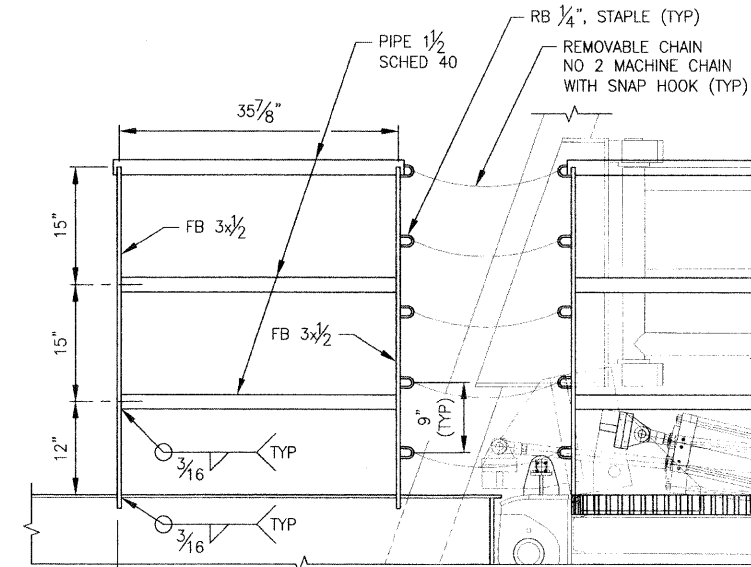
GENERAL ARRANGEMENT

SCALE: 1/8" = 1'-0"



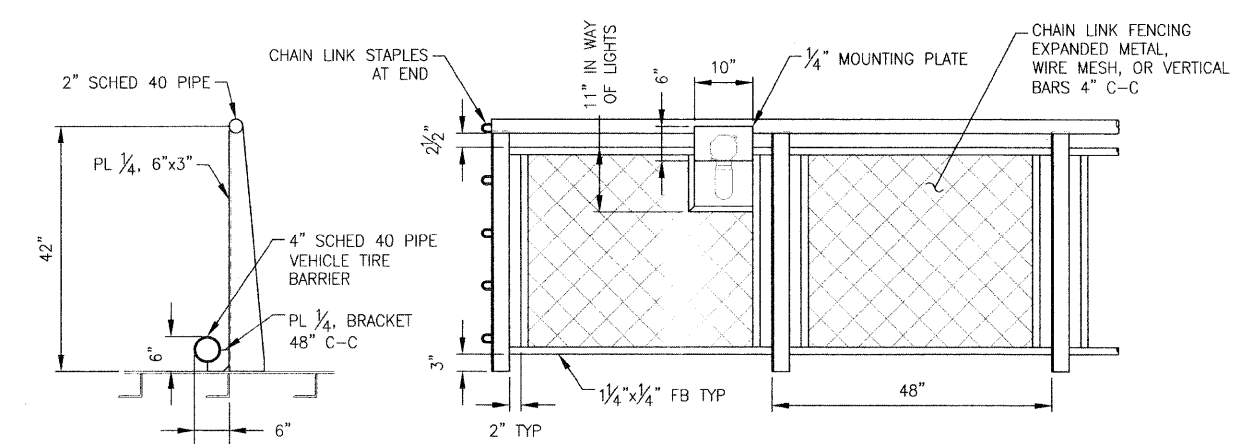
OUTBOARD PROFILE

SCALE: 1/8" = 1'-0"



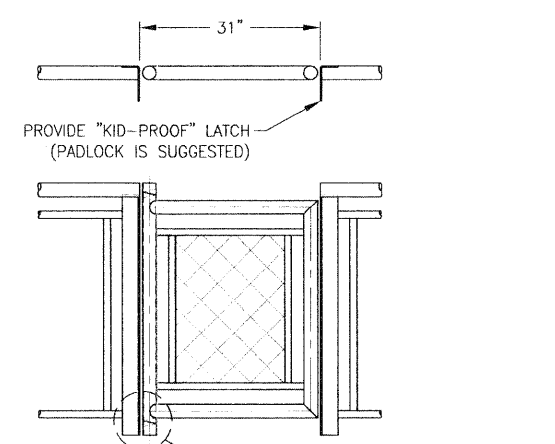
A GUARD RAIL SECTION

SCALE: 1" = 1'-0"



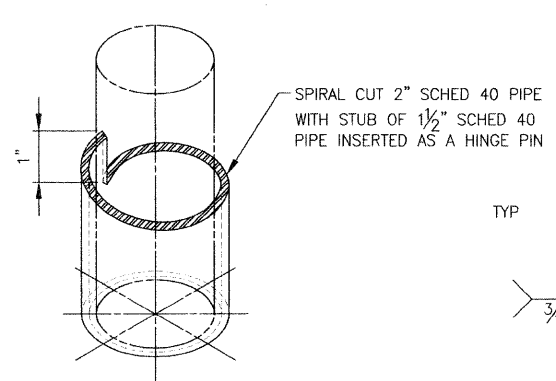
RAILS

SCALE: 3/4" = 1'-0"



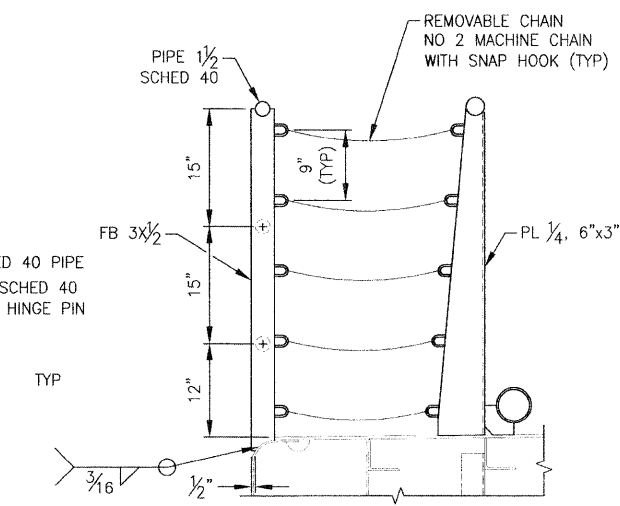
GATE

FOUR REQUIRED
TWO LEFT HAND & TWO RIGHT HAND
SCALE: 3/4" = 1'-0"



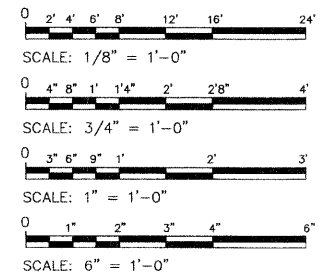
GATE HINGE

DECK MOUNTED PORTION SHOWN
SCALE: 6" = 1'-0"



B GUARD RAIL SECTION

AT FRAME 1, 33 (P/S)
SCALE: 1" = 1'-0"



FILE NAME =	USER NAME =	DESIGNED -- E. SNYDER	REVISED -- REV A 07/21/2011
		DRAWN -- C. FAWER	REVISED --
		CHECKED -- P. MARTIN	REVISED --
		DATE -- 10/04/2010	REVISED --

STATE OF ILLINOIS
DEPARTMENT OF TRANSPORTATION

IDOT BRUSSELS FERRY
DECK FITTINGS AND RAILINGS - BARGE

F.A.P. RTE.	SECTION	COUNTY	TOTAL SHEETS	SHEET NO.
304	21-3	JERSEY	26	25
CONTRACT NO. 76D29				
FED. ROAD DIST. NO.		ILLINOIS	FED. AID PROJECT	