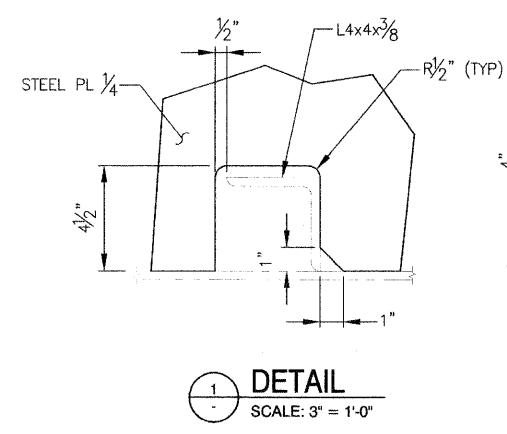
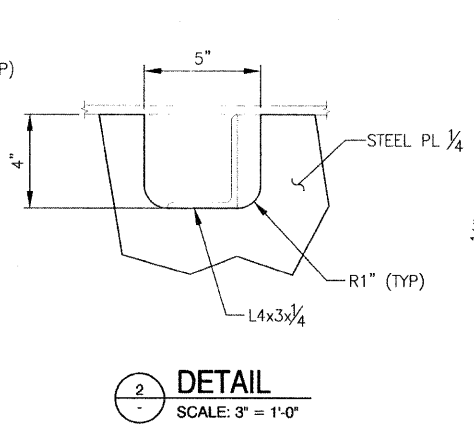


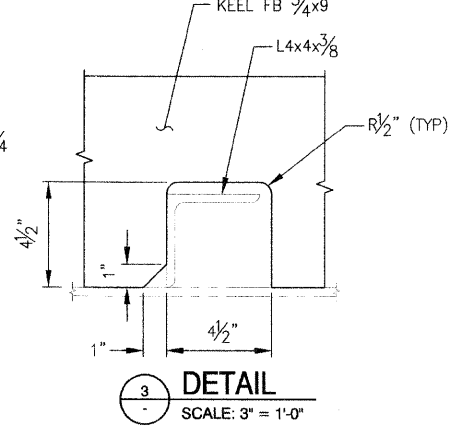
**STRUCTURE ON CENTERLINE**  
SCALE: 1/2" = 1'-0"



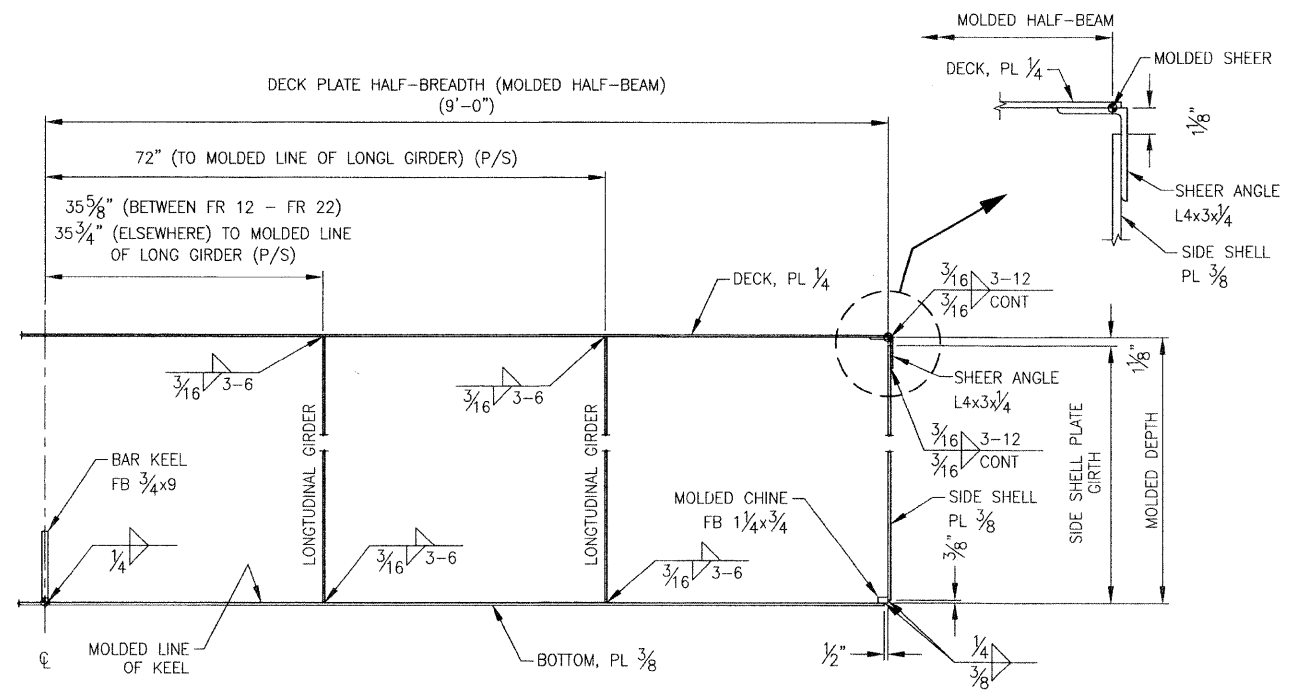
**1 DETAIL**  
SCALE: 3" = 1'-0"



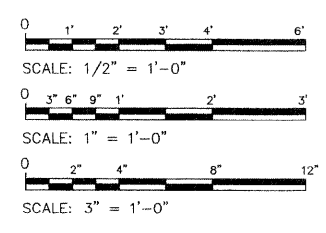
**2 DETAIL**  
SCALE: 3" = 1'-0"



**3 DETAIL**  
SCALE: 3" = 1'-0"



**4 MOLDED LINES AND SHELL WELD JOINTS**  
SCALE: 1" = 1'-0"



FILE NAME =	USER NAME =	DESIGNED - A. WINKLEY	REVISED -	<b>STATE OF ILLINOIS DEPARTMENT OF TRANSPORTATION</b>	<b>IDOT BRUSSELS FERRY LONGITUDINAL STRUCTURE - CENTERLINE &amp; DETAILS</b>	F.A.P. RITE.	SECTION	COUNTY	TOTAL SHEETS	SHEET NO.	
		DRAWN - J. WALKER	REVISED -			304	21-3	JERSEY	47	5	
PLOT SCALE =		CHECKED - P. MARTIN	REVISED -			CONTRACT NO. 76D29					
PLOT DATE =		DATE - 7/19/2011	REVISED -			FED. ROAD DIST. NO. ILLINOIS FED. AID PROJECT					
				SCALE: AS SHOWN SHEET NO. OF SHEETS STA. TO STA.		DRAWING NO. CEIDT001PB-116-101					