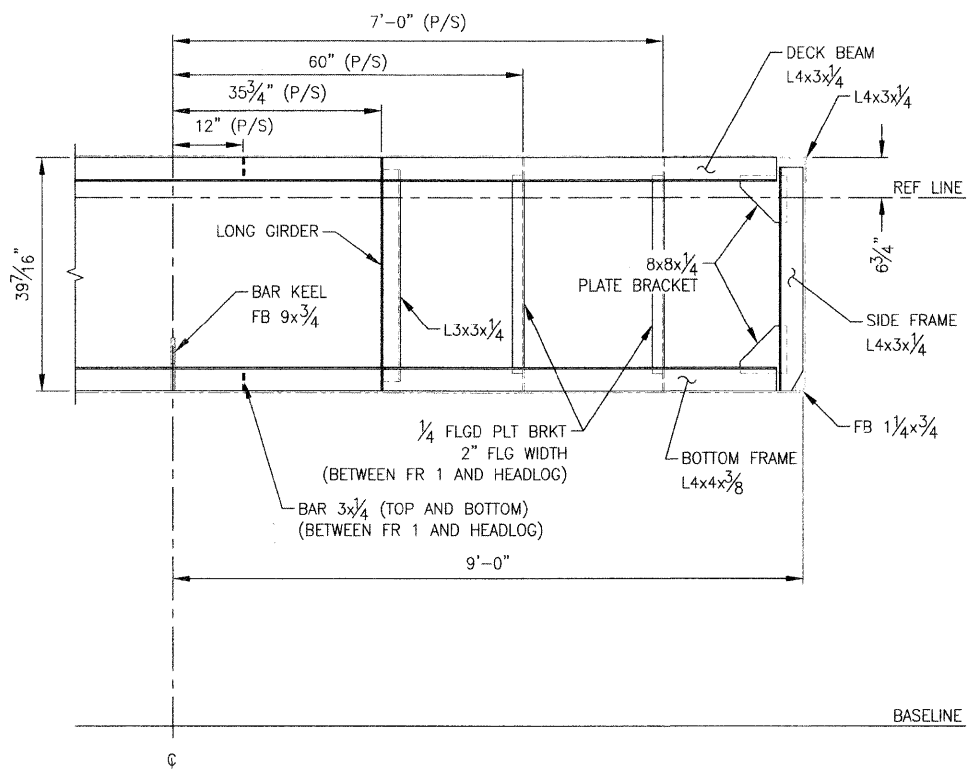
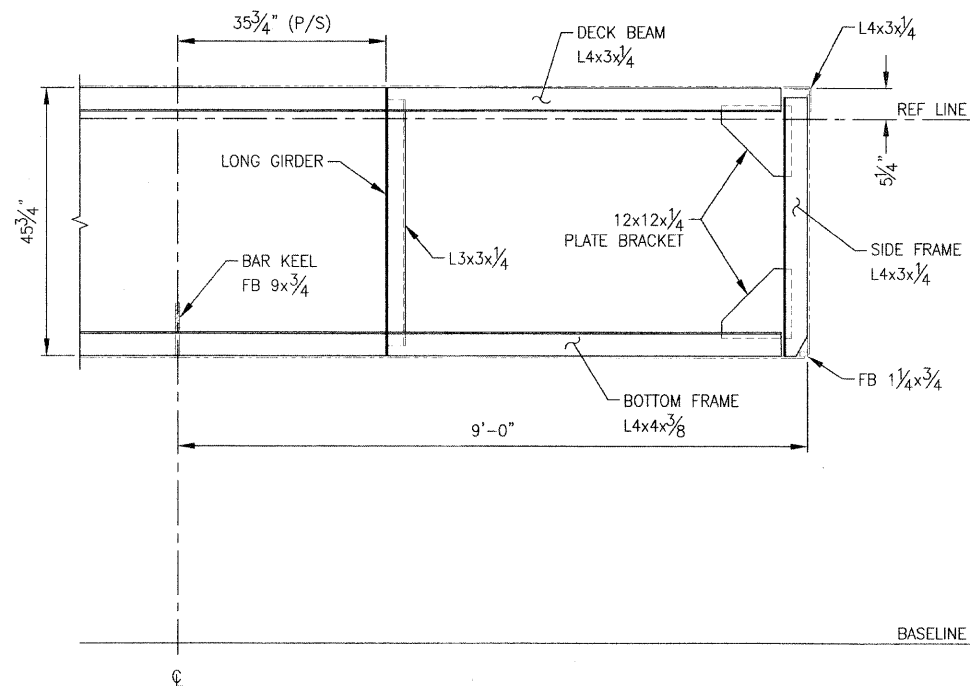


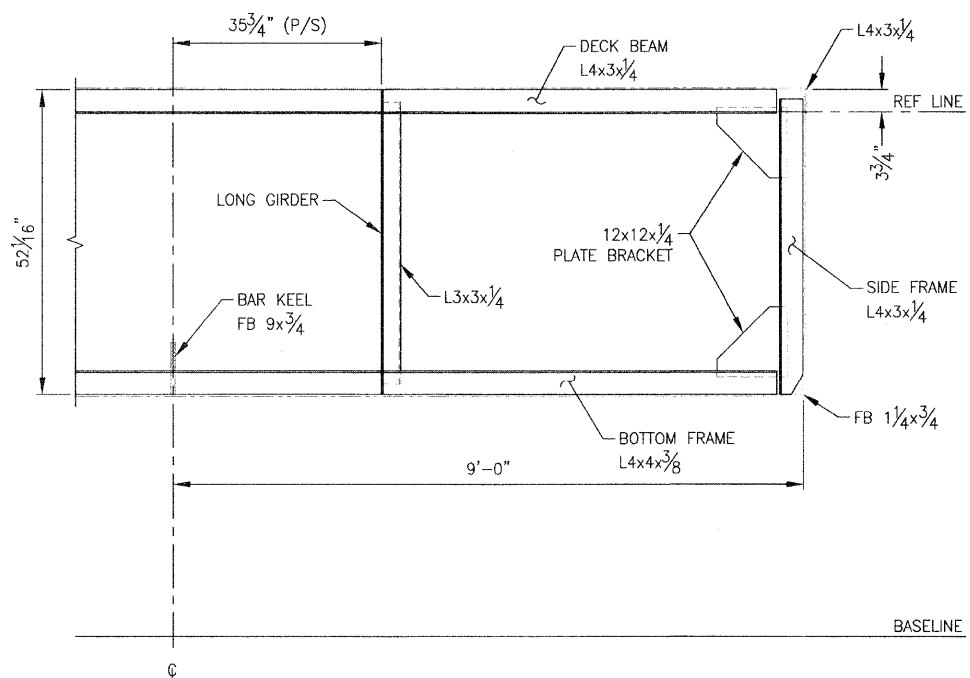
**HEADLOG / FRAME 0**  
 HEADLOG AND CORNERS ARE 1/2" PLATE  
 LOOKING AFT  
 SCALE: 3/4" = 1'-0"



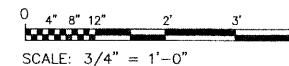
**FRAME 1 SECTION**  
 LOOKING FWD  
 SCALE: 3/4" = 1'-0"



**FRAME 2 SECTION**  
 LOOKING FWD  
 SCALE: 3/4" = 1'-0"



**FRAME 3 SECTION**  
 LOOKING FWD  
 SCALE: 3/4" = 1'-0"



FILE NAME =	USER NAME =	DESIGNED - A. WINKLEY	REVISED -
		DRAWN - J. WALKER	REVISED -
		CHECKED - P. MARTIN	REVISED -
		DATE - 7/19/2011	REVISED -

STATE OF ILLINOIS  
 DEPARTMENT OF TRANSPORTATION

IDOT BRUSSELS FERRY  
 TRANSVERSE FRAMING - FR 0 TO 3

SCALE: AS SHOWN SHEET NO. OF SHEETS STA. TO STA.

F.A.P. RTE.	SECTION	COUNTY	TOTAL SHEETS	SHEET NO.
304	21-3	JERSEY	47	7
CONTRACT NO. 76D29			FED. ROAD DIST. NO. ILLINOIS FED. AID PROJECT	