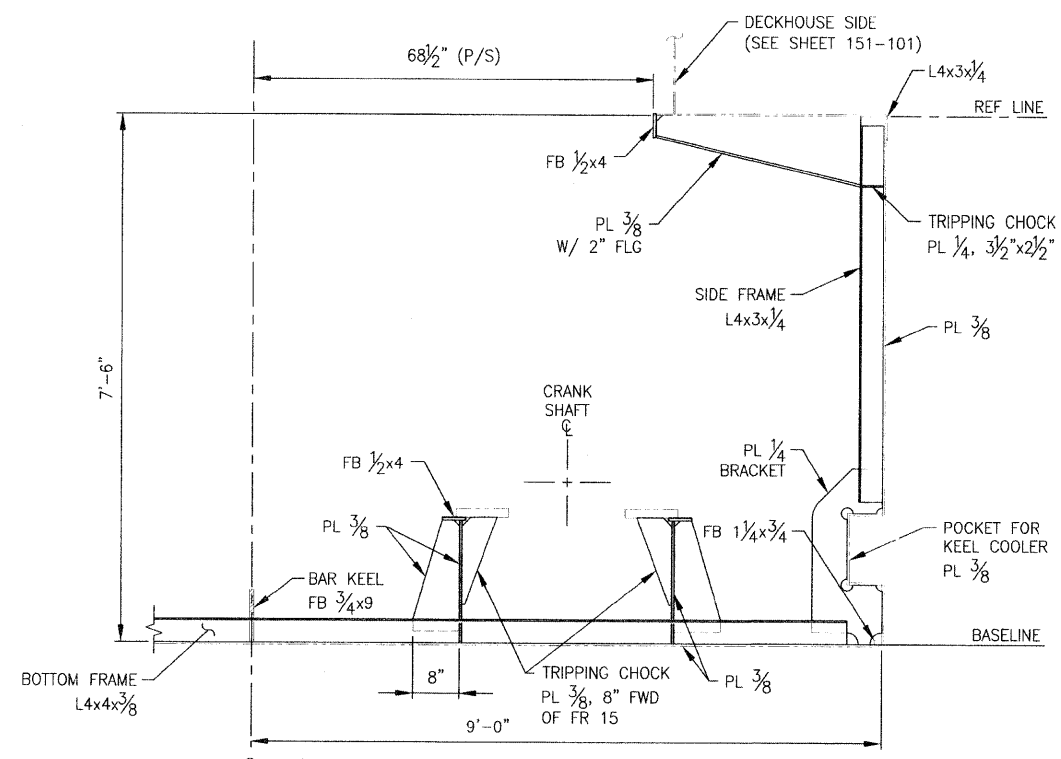
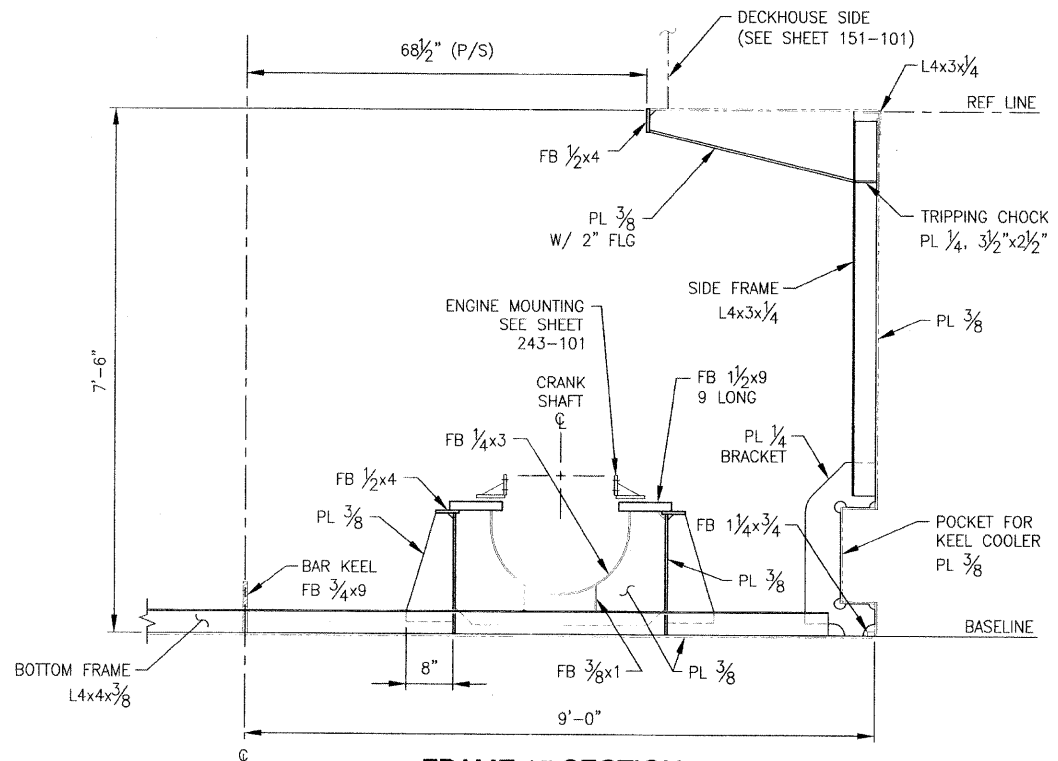


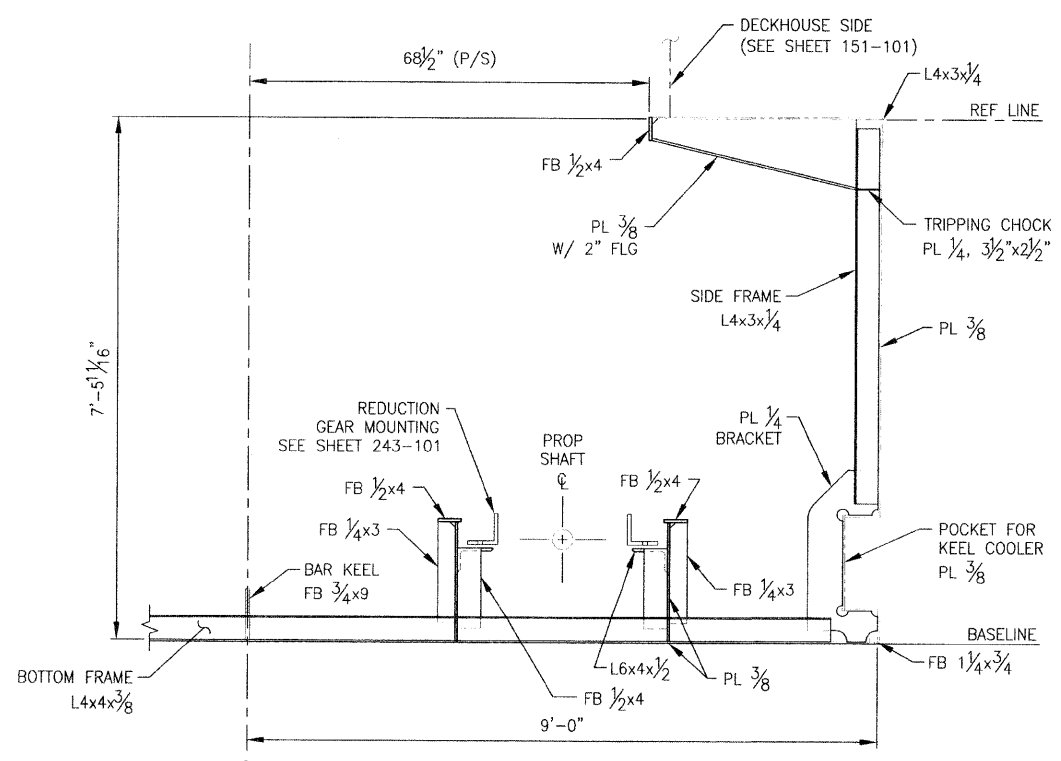
FRAME 13 SECTION
LOOKING FWD
SCALE: 3/4" = 1'-0"



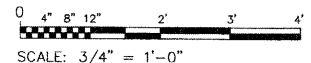
FRAME 14 SECTION
LOOKING FWD
SCALE: 3/4" = 1'-0"



FRAME 15 SECTION
LOOKING AFT
SCALE: 3/4" = 1'-0"



FRAME 16 SECTION
LOOKING AFT
SCALE: 3/4" = 1'-0"



ART ANDERSON ASSOCIATES
202 PACIFIC AVE., BREWSTER, WA 98537
(360) 479-5600

FILE NAME =	USER NAME =	DESIGNED - A. WINKLEY	REVISED -
		DRAWN - J. WALKER	REVISED -
		CHECKED - P. MARTIN	REVISED -
		DATE - 7/19/2011	REVISED -

**STATE OF ILLINOIS
DEPARTMENT OF TRANSPORTATION**

**IDOT BRUSSELS FERRY
TRANSVERSE FRAMING - FR 13 TO 16**

SCALE: AS SHOWN SHEET NO. OF SHEETS STA. TO STA.

F.A.P. RTE. 304	SECTION 21-3	COUNTY JERSEY	TOTAL SHEETS 47	SHEET NO. 10
CONTRACT NO. 76D29			DRAWING NO. CEIDT001PB-117-104	