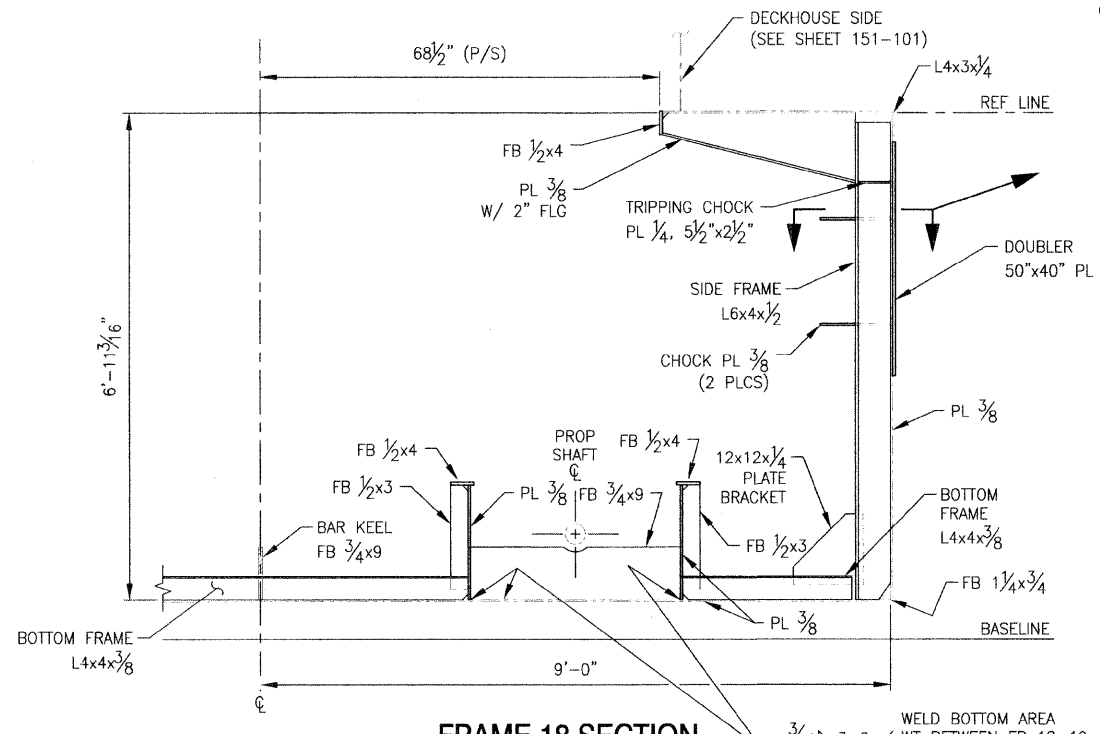


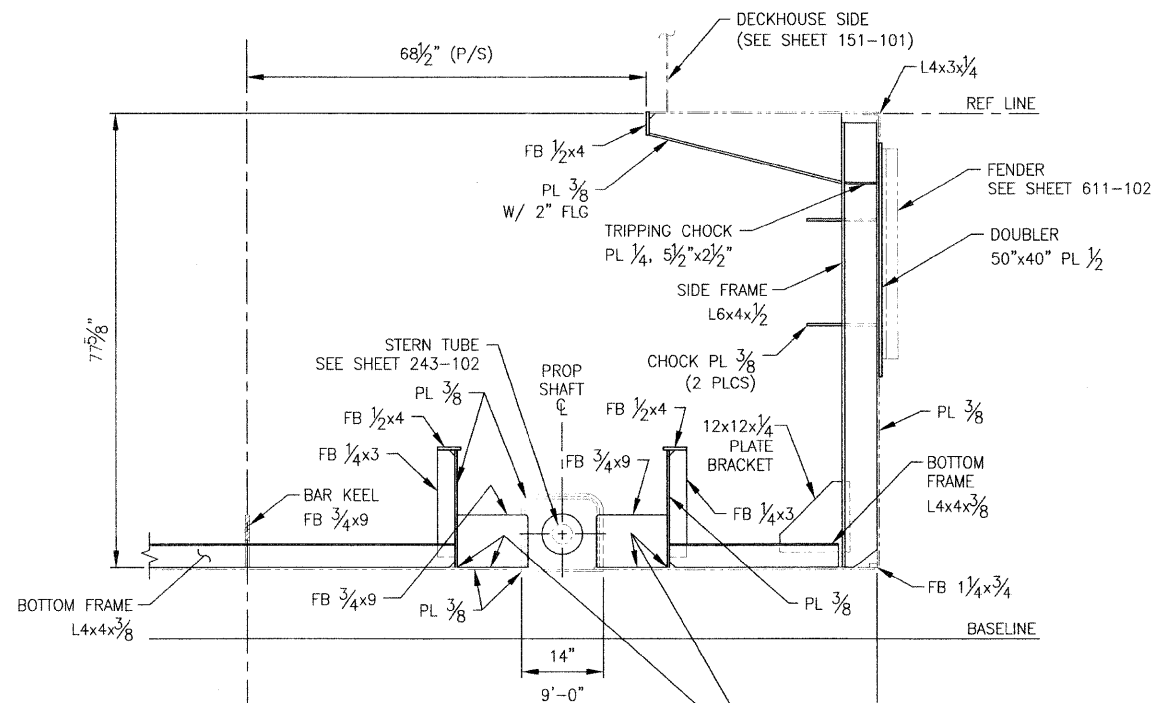
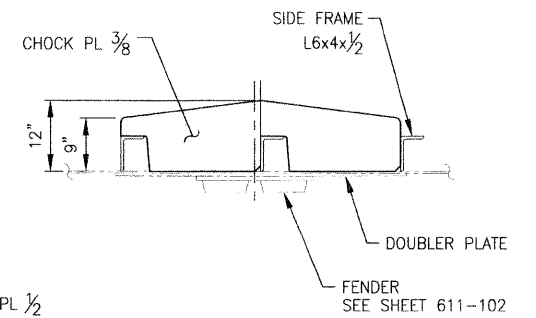
FRAME 17 SECTION

LOOKING AFT
SCALE: 3/4" = 1'-0"



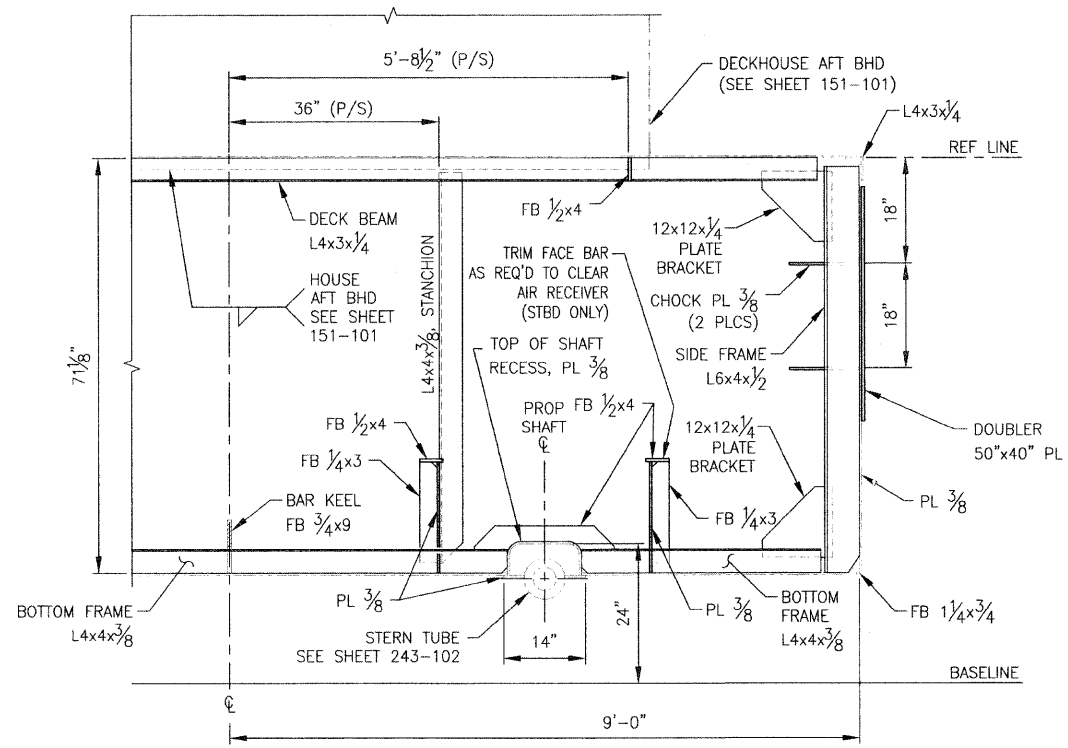
FRAME 18 SECTION

LOOKING AFT
SCALE: 3/4" = 1'-0"



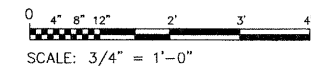
FRAME 19 SECTION

LOOKING AFT
SCALE: 3/4" = 1'-0"



FRAME 20 SECTION

LOOKING AFT
SCALE: 3/4" = 1'-0"



FILE NAME =	USER NAME =	DESIGNED - A. WINKLEY	REVISED -
		DRAWN - J. WALKER	REVISED -
		CHECKED - P. MARTIN	REVISED -
		DATE - 7/19/2011	REVISED -

**STATE OF ILLINOIS
DEPARTMENT OF TRANSPORTATION**

**IDOT BRUSSELS FERRY
TRANSVERSE FRAMING - FR 17 TO 20**

SCALE: AS SHOWN SHEET NO. OF SHEETS STA. TO STA.

F.A.P. R.T.E.	SECTION	COUNTY	TOTAL SHEETS	SHEET NO.
304	21-3	JERSEY	47	11
CONTRACT NO. 76D29		FED. ROAD DIST. NO. ILLINOIS FED. AID PROJECT		