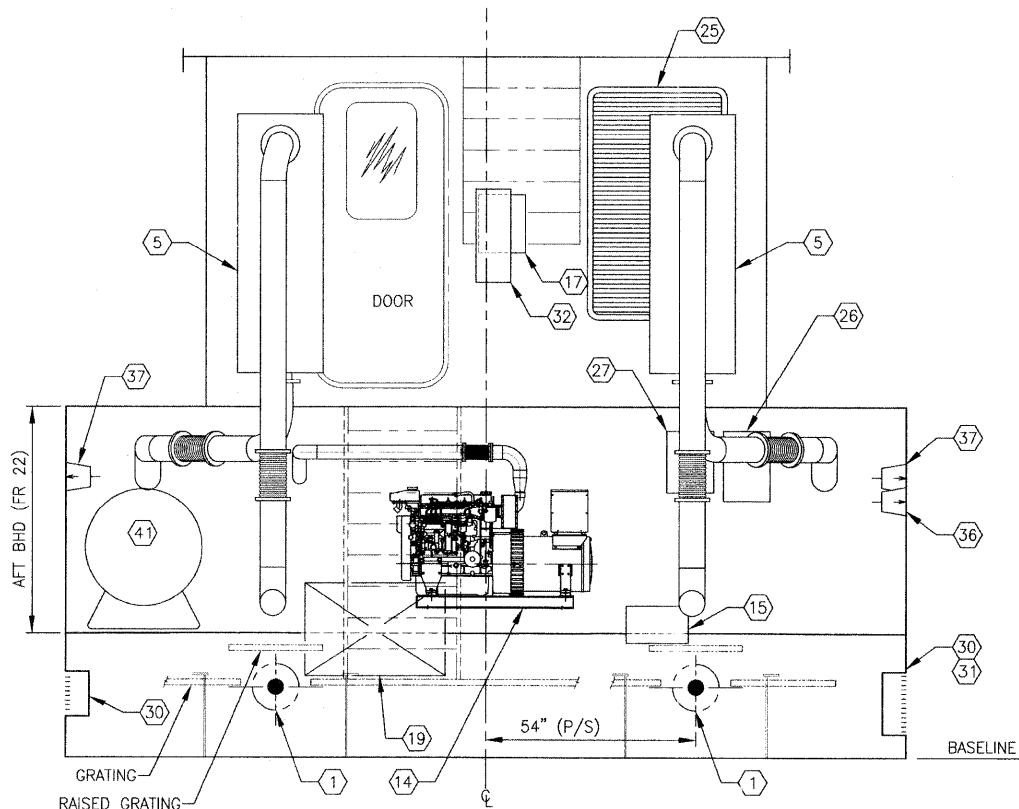
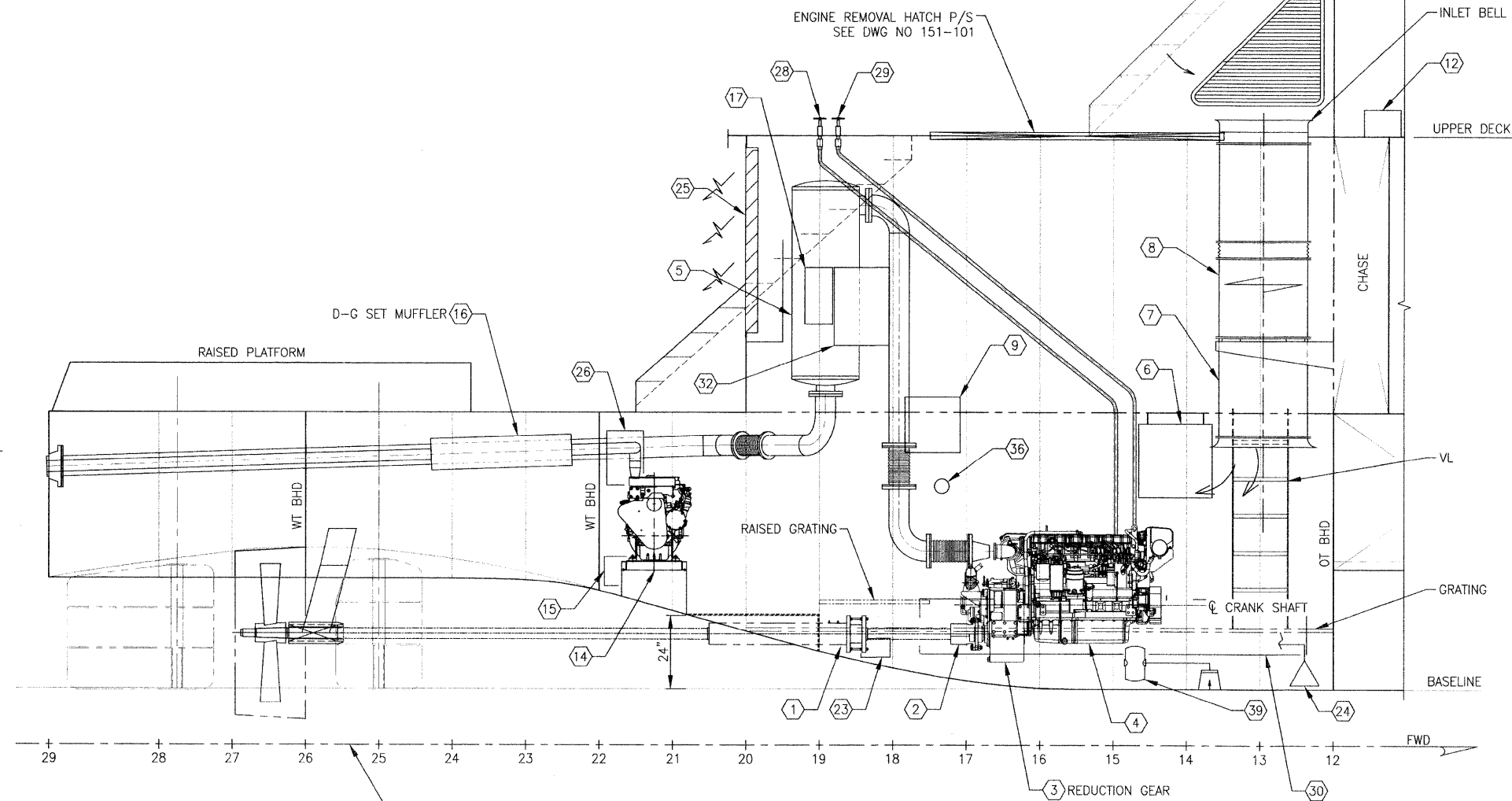


**SECTION LOOKING FWD**  
FROM FRAME 14  
SCALE: 1/2" = 1'-0"

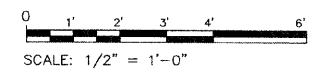


**SECTION LOOKING AFT**  
FROM FRAME 17  
SCALE: 1/2" = 1'-0"



**PORT ELEVATION**  
SCALE: 1/2" = 1'-0"

NOTE:  
1. SEE CEIDT001PB-233-101 FOR MACHINERY LIST.



|             |             |                       |           |
|-------------|-------------|-----------------------|-----------|
| FILE NAME = | USER NAME = | DESIGNED - A. WINKLEY | REVISED - |
|             |             | DRAWN - J. WALKER     | REVISED - |
|             |             | CHECKED - P. MARTIN   | REVISED - |
|             |             | DATE - 7/19/2011      | REVISED - |

STATE OF ILLINOIS  
DEPARTMENT OF TRANSPORTATION

IDOT BRUSSELS FERRY  
MACHINERY ARRANGEMENT - SECTIONS AND ELEVATION

|                     |              |                           |                 |                    |
|---------------------|--------------|---------------------------|-----------------|--------------------|
| F.A.P. RTE. 304     | SECTION 21-3 | COUNTY JERSEY             | TOTAL SHEETS 47 | SHEET NO. 20       |
| SCALE: AS SHOWN     |              | SHEET NO. OF SHEETS       |                 | STA. TO STA.       |
| FED. ROAD DIST. NO. |              | ILLINOIS FED. AID PROJECT |                 | CONTRACT NO. 76D29 |