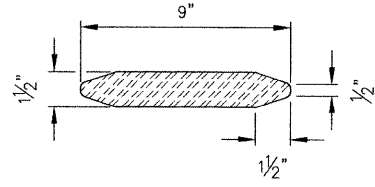
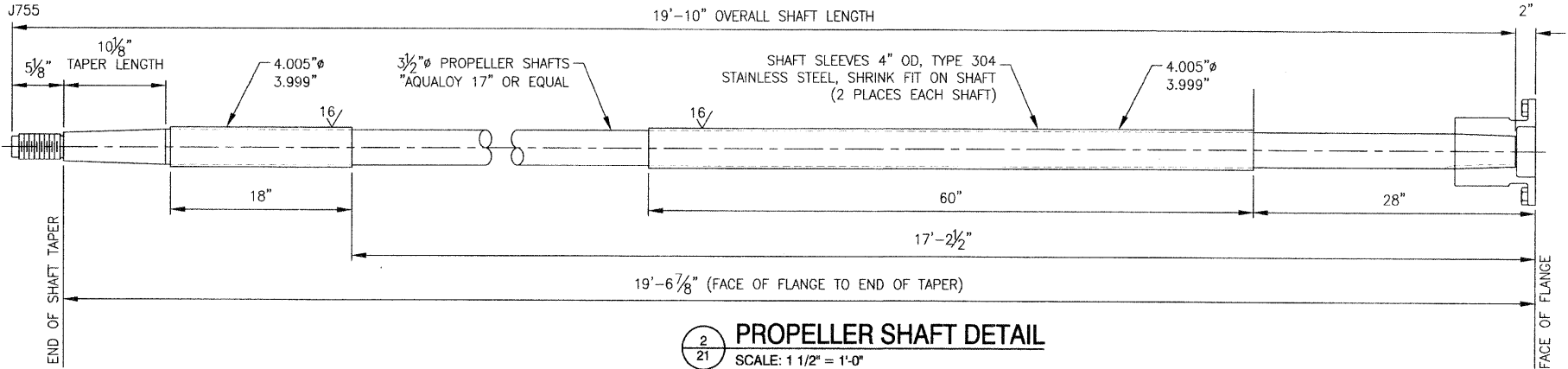


1 STRUT DETAIL
SCALE: 1 1/2" = 1'-0"

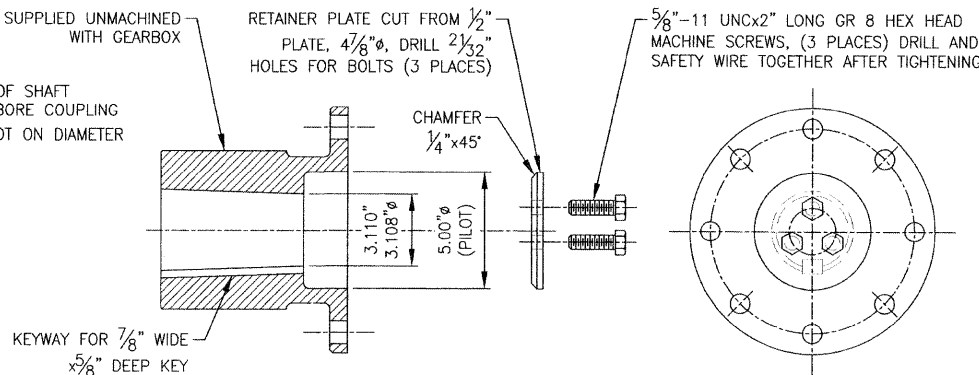
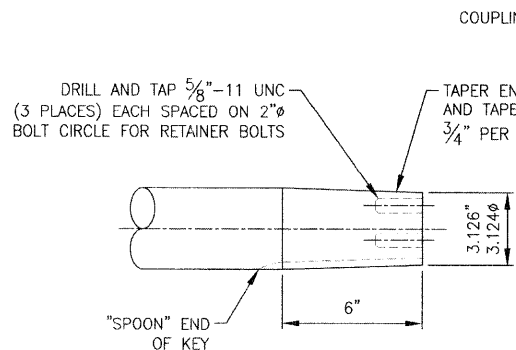


SECTION
SECTION THROUGH STRUT
SCALE: 3" = 1'-0"

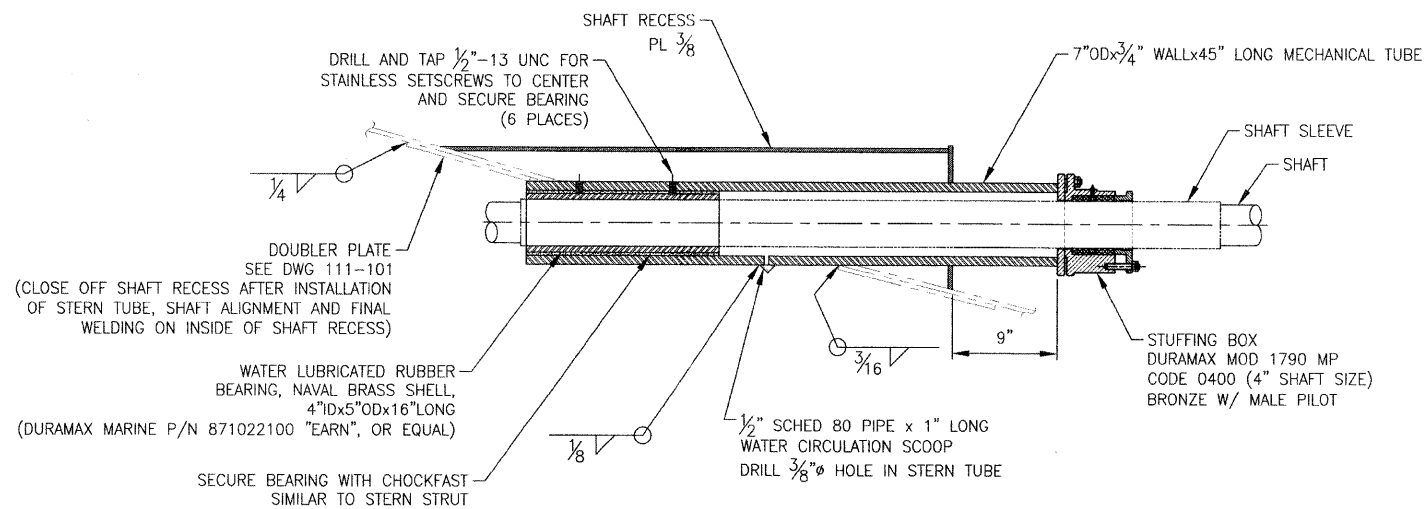
NOTE:
PROPELLER HUB AND SHAFT END MACHINING,
KEY AND KEY WAY TO BE PER SAE STANDARD
J755



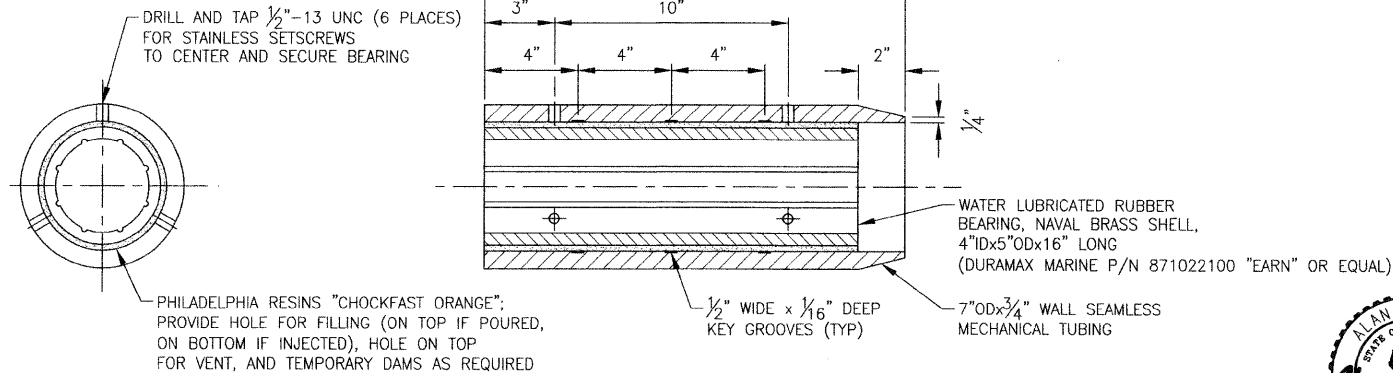
2 PROPELLER SHAFT DETAIL
SCALE: 1 1/2" = 1'-0"



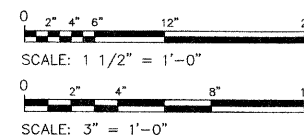
SHAFT COUPLING DETAIL
(TWIN DISC XA6988A)
SCALE: 3" = 1'-0"



3 SHAFT RECESS DETAIL
SHAFT RECESS AND STUFFING BOX
SCALE: 1 1/2" = 1'-0"



4 STRUT BARREL & BEARING DETAILS DETAIL
SCALE: 3" = 1'-0"



FILE NAME =	USER NAME =	DESIGNED — A. WINKLEY	REVISED —
		DRAWN — C. FAWVER	REVISED —
	PLOT SCALE =	CHECKED — P. MARTIN	REVISED —
	PLOT DATE =	DATE — 7/19/2011	REVISED —

STATE OF ILLINOIS
DEPARTMENT OF TRANSPORTATION

IDOT BRUSSELS FERRY
PROPELLER SHAFTING AND SUPPORT DETAILS

SCALE: AS SHOWN SHEET NO. OF SHEETS STA. TO STA.

F.A.P. RTE.	SECTION	COUNTY	TOTAL SHEETS	SHEET NO.
304	21-3	JERSEY	47	22
CONTRACT NO. 76D29				
FED. ROAD DIST. NO.		ILLINOIS	FED. AID PROJECT	