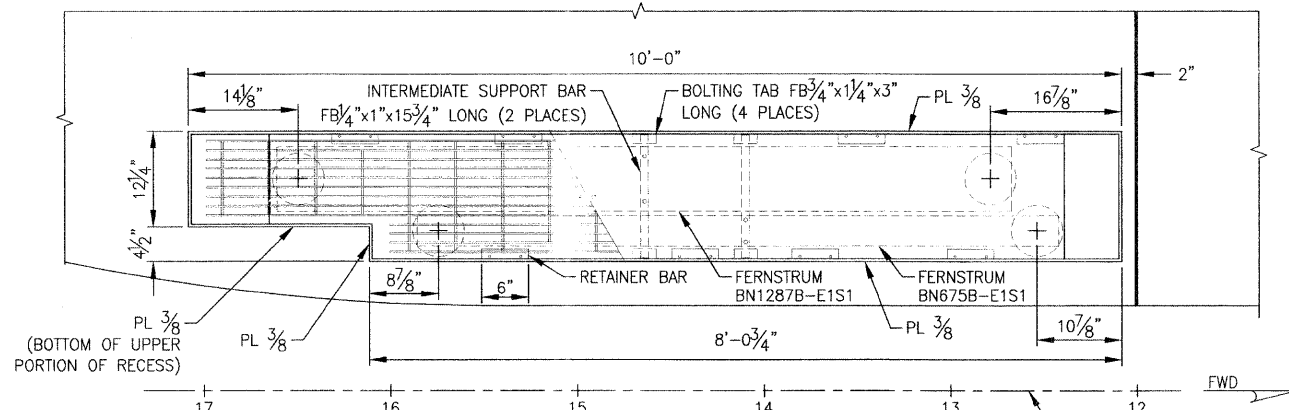
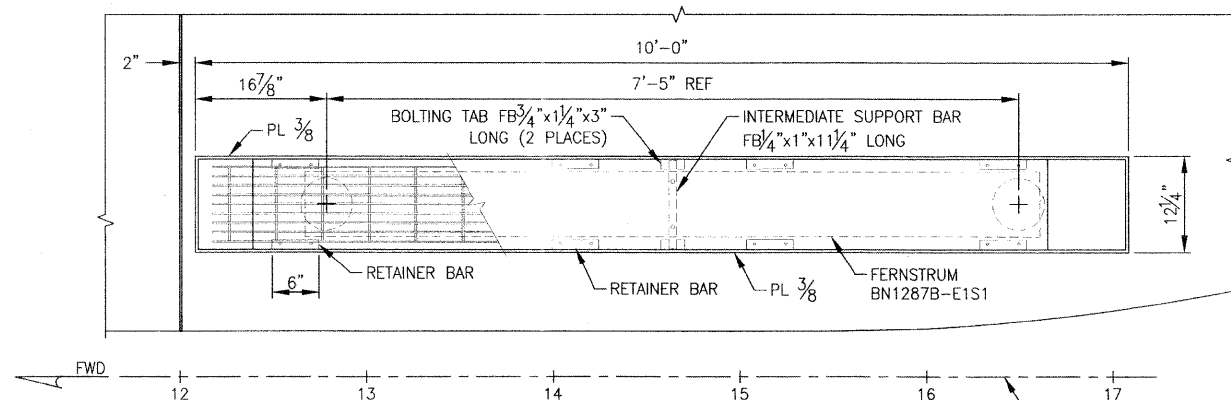


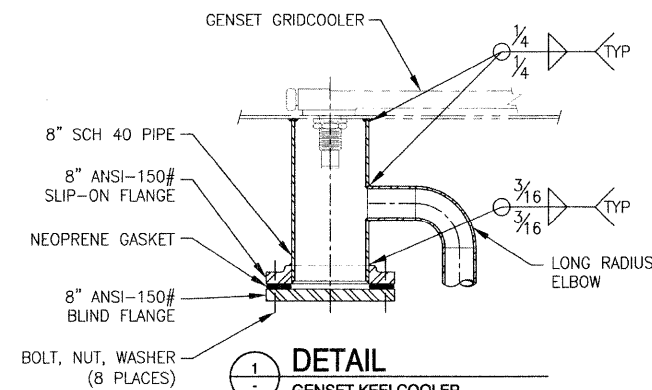
**PLAN**  
KEELCOOLER POCKET  
PORT SIDE SHOWN  
SCALE: 1" = 1'-0"



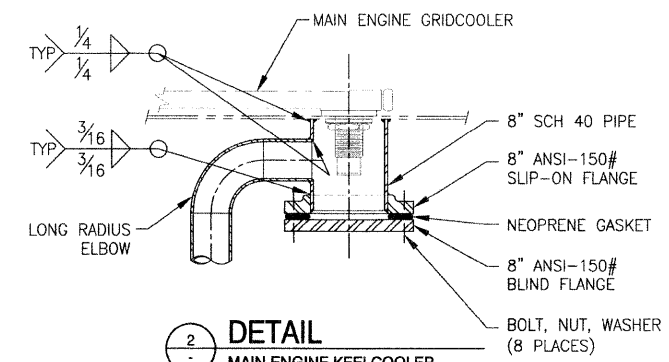
**A ELEVATION**  
PORT KEELCOOLERS  
LOOKING OUTBOARD  
SCALE: 1" = 1'-0"



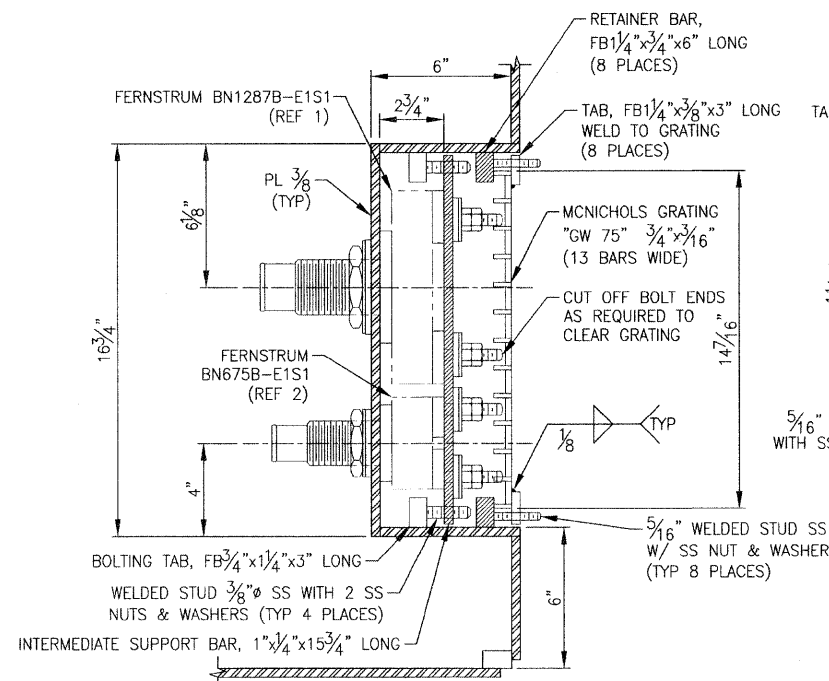
**B ELEVATION**  
STBD KEELCOOLER  
LOOKING OUTBOARD  
SCALE: 1" = 1'-0"



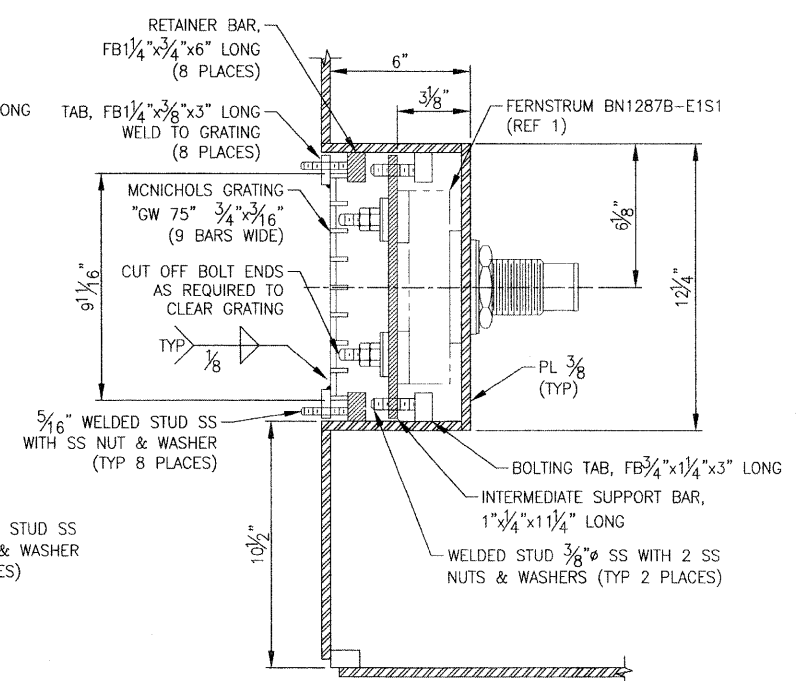
**1 DETAIL**  
GENSET KEELCOOLER  
INLET AND OUTLET COFFERDAM  
SCALE: 1 1/2" = 1'-0"



**2 DETAIL**  
MAIN ENGINE KEELCOOLER  
INLET AND OUTLET COFFERDAMS  
SCALE: 1 1/2" = 1'-0"



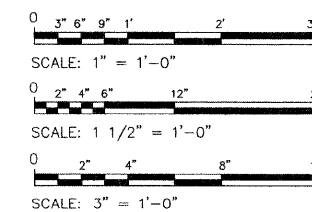
**1 DETAILS**  
PORT GRIDCOOLER INSTALLATION  
IN KEELCOOLER POCKET  
SCALE: 3" = 1'-0"



**2 DETAILS**  
STBD GRIDCOOLER INSTALLATION  
IN KEELCOOLER POCKET  
SCALE: 3" = 1'-0"

**REFERENCES:**

- R.W FERNSTRUM & CO. DWG NO BN1287B-E1S1
- R.W FERNSTRUM & CO. DWG NO BN675B-E1S1



DRAWING NO. CEIDT001PB-256-102

FILE NAME =	USER NAME =	DESIGNED - A. WINKLEY	REVISED -
		DRAWN - J. WALKER	REVISED -
		CHECKED - P. MARTIN	REVISED -
		DATE - 7/19/2011	REVISED -

STATE OF ILLINOIS  
DEPARTMENT OF TRANSPORTATION

IDOT BRUSSELS FERRY  
MACHINERY COOLING SYSTEM PIPING - DETAILS

SCALE: AS SHOWN SHEET NO. OF SHEETS STA. TO STA.

F.A.P. RTE.	SECTION	COUNTY	TOTAL SHEETS	SHEET NO.
304	2I-3	JERSEY	47	24
FED. ROAD DIST. NO.	ILLINOIS	FED. AID PROJECT	CONTRACT NO. 76D29	