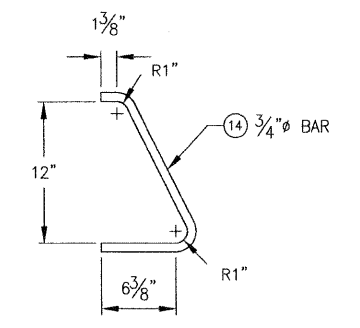
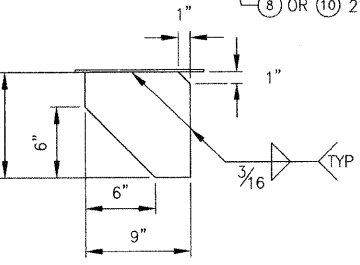
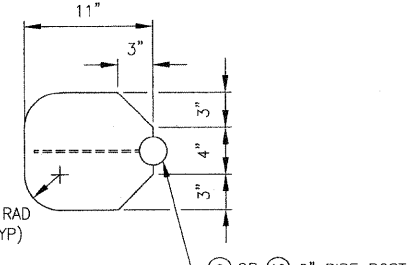


**C ELEVATION**  
SCALE: 1/2" = 1'-0"



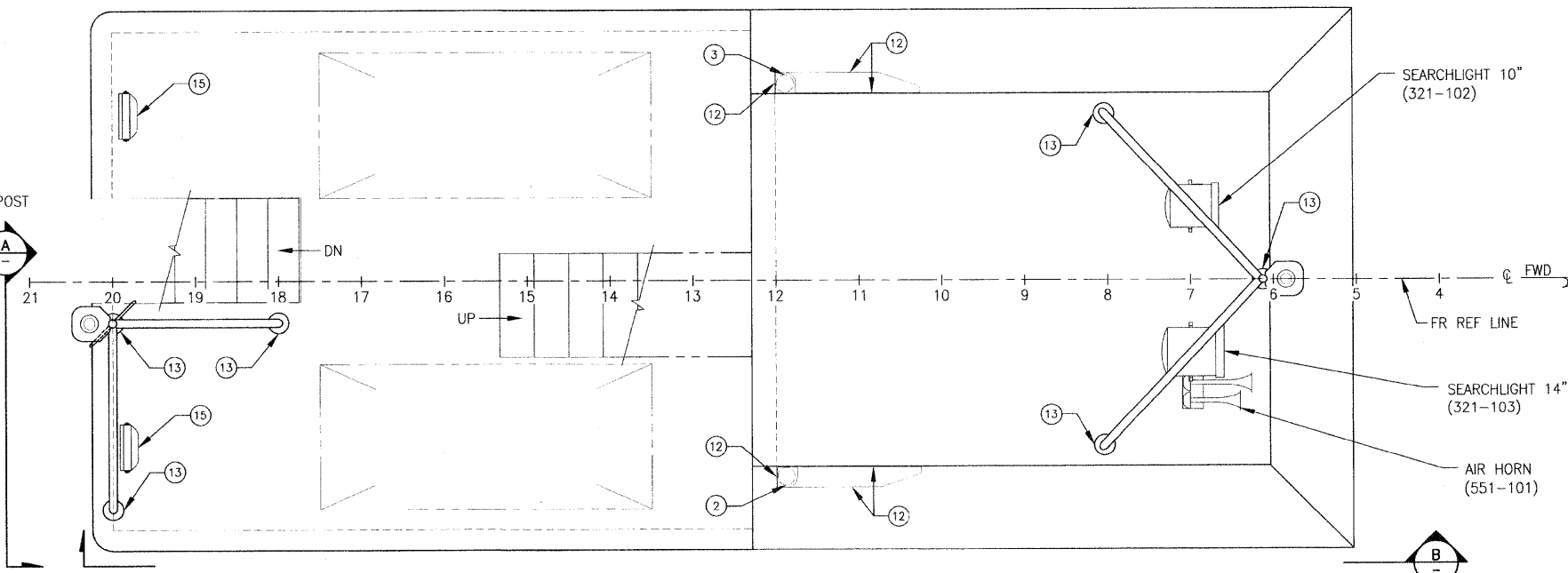
**1 CLIMBING STIRRUP**  
SCALE: 1-1/2" = 1'-0"

**A ELEVATION**  
SCALE: 1/2" = 1'-0"



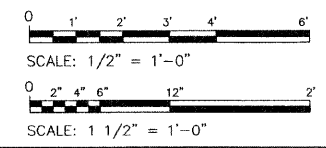
**2 LIGHT BRACKET**  
SCALE: 1-1/2" = 1'-0"  
FIVE REQUIRED  
PLATE SIZE MAY BE ADJUSTED  
TO FIT LIGHT FIXTURES

**B PROFILE**  
SCALE: 1/2" = 1'-0"



**PLAN**  
SCALE: 1/2" = 1'-0"

BILL OF MATERIAL			
PC NO.	QTY	DESCRIPTION	MATERIAL/SPECIFICATION/REMARKS
1	2 EA	MASTHEAD LIGHT 225' WHITE	PERKO 1128 AOO BLK OR EQUAL SEE 321-102
2	1 EA	STARBOARD SIDE LIGHT 112.5' GREEN	PERKO 1127 GAO BLK OR EQUAL SEE 321-102
3	1 EA	PORT SIDE LIGHT 112.5' RED	PERKO 1127 RAO BLK OR EQUAL SEE 321-102
4	2 EA	TOWING LIGHT 135' YELLOW	PERKO 1129 MAO BLK OR EQUAL SEE 321-102
5	1 EA	STERN LIGHT 135' WHITE	PERKO 1129 AOO BLK OR EQUAL SEE 321-102
6	5 EA	3/16" PLATE 10"x11"	ASTM A-36
7	5 EA	3/16" PLATE 9"x9"	ASTM A-36
8	1 EA	PIPE, 2" SCH 40 x APPROX 6'-4" LONG	ASTM A-53, TRIM ENDS TO FIT
9	2 EA	PIPE, 2" SCH 40 x APPROX 8'-4" LONG	ASTM A-53, TRIM ENDS TO FIT
10	1 EA	PIPE, 2" SCH 80 x APPROX 16'-0" LONG	ASTM A-53, TRIM ENDS TO FIT
11	2 EA	PIPE, 2" SCH 40 x APPROX 9'-0" LONG	ASTM A-53, TRIM ENDS TO FIT
12	4 EA	3/16" PLATE 12"x43"	ASTM A-36, SIDE LIGHT SHIELDS
13	6 EA	3/16" PLATE x 6"φ	ASTM A-36, DOUBLERS UNDER PCS 8, 9, 10, 11
14	4 EA	RB 3/4" x APPROX 23" LONG	ASTM A-36, CLIMBING STIRRUPS
15	2 EA	FLOODLIGHT, 120V, 500W	MARI TEAM 1069040 W/ LAMP 994021 SEE 321-103



FILE NAME =	USER NAME =	DESIGNED - B. HIGGINS	REVISED -
		DRAWN - C. FANVER	REVISED -
		CHECKED - P. MARTIN	REVISED -
		DATE - 7/19/2011	REVISED -

STATE OF ILLINOIS  
DEPARTMENT OF TRANSPORTATION

IDOT BRUSSELS FERRY  
NAVIGATION LIGHTS AND STAFF - PUSHBOAT

F.A.P. RTE.	SECTION	COUNTY	TOTAL SHEETS	SHEET NO.
304	21-3	JERSEY	47	31
FED. ROAD DIST. NO.		ILLINOIS	FED. AID PROJECT	
		CONTRACT NO. 76D29		