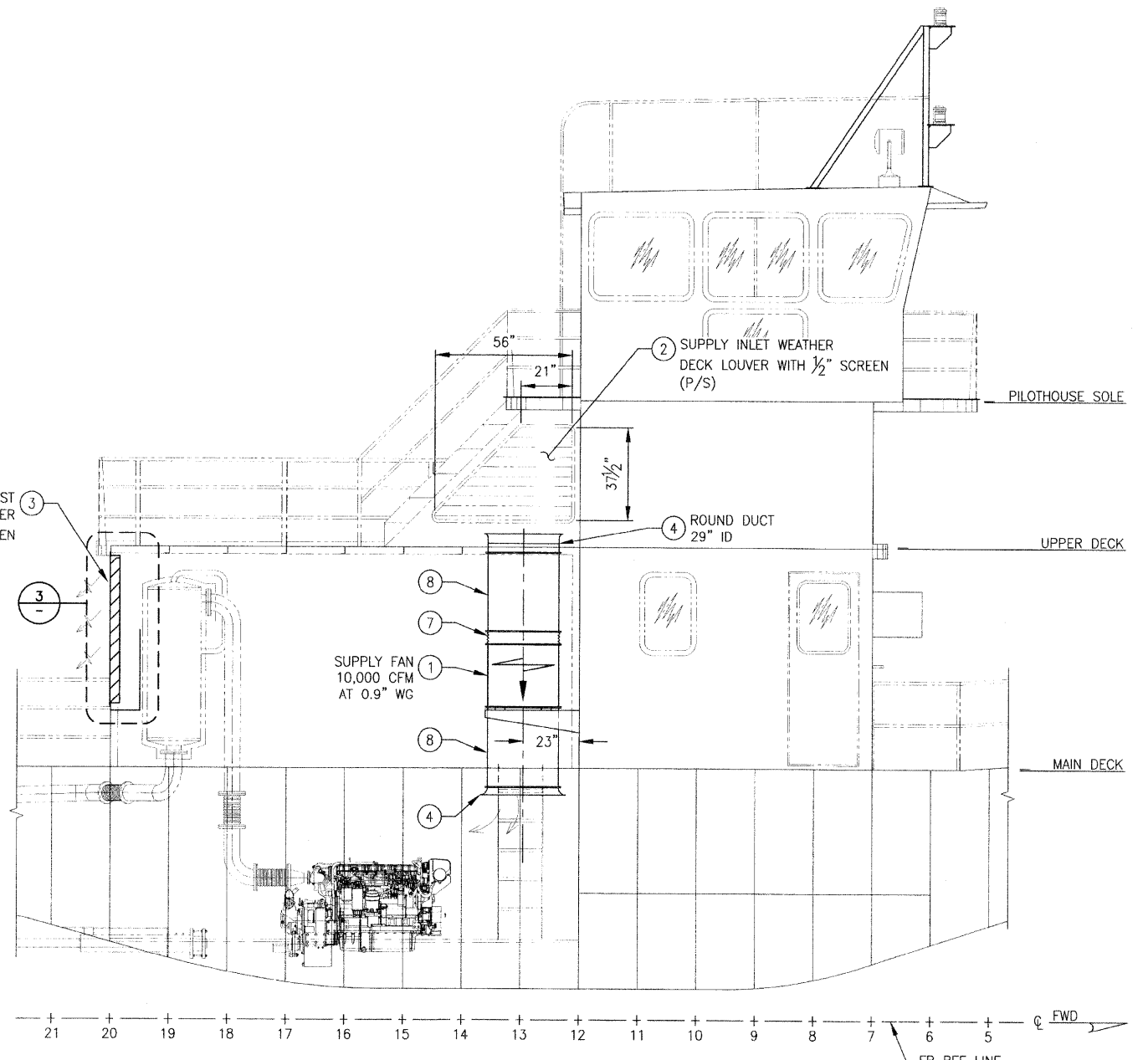
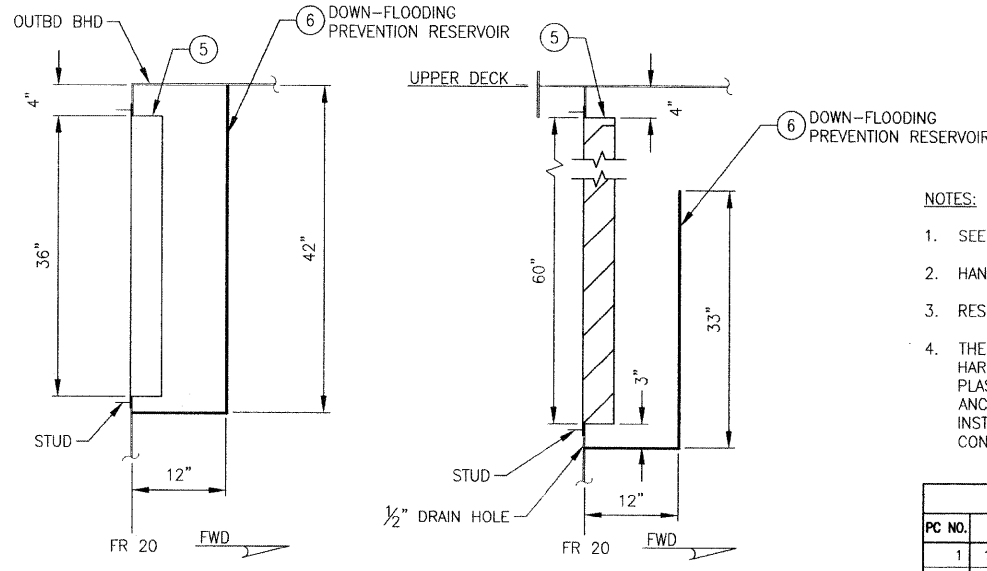


**MACHINERY PLAN**  
SCALE: 1/2" = 1'-0"



**SECTION 1**  
SCALE: 3/8" = 1'-0"

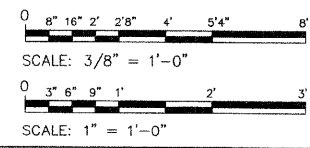


**2 DETAIL**  
SCALE: 1" = 1'-0"

**3 DETAIL**  
SCALE: 1" = 1'-0"

- NOTES:**
- SEE DRAWING 233-101 AND 233-102 FOR ADDITIONAL ENGINE ROOM ARRANGEMENT DETAILS.
  - HANGERS SHALL BE FITTED FOR PROPER SUPPORT OF ALL DUCTWORK.
  - RESILIENTLY MOUNT FAN TO BHD 12 IN ACCORDANCE WITH MANUFACTURERS RECOMMENDATIONS.
  - THE LIST OF MATERIALS FOR THIS DRAWING DOES NOT INCLUDE MISCELLANEOUS MATERIALS AND HARDWARE SUCH AS NUTS, BOLTS, SCREWS PLASTIC SEALANT, ELECTRICAL INSULATION TAPE, PLASTIC VINYL ELECTRICIANS TAPE, TIE-WARPS, HEAT SHRINK, SLEEVING, AND OTHER SUCH ANCILLARY ITEMS. HOWEVER ALL ITEMS NECESSARY FOR A COMPLETE, FINISHED AND OPERATIONAL INSTALLATION CONFORMING TO GOOD SHIPBUILDING PRACTICE SHALL BE PROVIDED BY THE CONTRACTOR.

BILL OF MATERIAL			
PC NO.	QTY	DESCRIPTION	MATERIAL/SPECIFICATION/REMARKS
1	1 EA	SUPPLY FAN	HARTZELL A53C--297VA---STAIKD, 10,000 CFM, 0.9" WG, 3HP, 1140RPM
2	2 EA	WEATHER DECK LOUVER, INTAKE	RUSKIN ELF6350DMP INTEGRAL FLANGE W/ BIRD & INSECT SCREEN
3	1 EA	WEATHER DECK LOUVER, EXHAUST	RUSKIN ELF445DXH INTEGRAL FLANGE W/ BIRD & INSECT SCREEN
4	AS REQ	DUCT	16 GAUGE GALVANIZED STEEL, SOUND LINED
5	AS REQ	GASKET MATERIAL	BUNA-N RUBBER
6	AS REQ	PLATE, 3/16"	ASTM A36
7	1 EA	FLEXIBLE DUCT CONNECTION	DURO DYNE
8	2 EA	SILENCER	MARINE GRADE



FILE NAME =	USER NAME =	DESIGNED -- M. MCKAY	REVISED --
		DRAWN -- C. FAWVER	REVISED --
		CHECKED -- P. MARTIN	REVISED --
		DATE -- 7/19/2011	REVISED --

**STATE OF ILLINOIS  
DEPARTMENT OF TRANSPORTATION**

**IDOT BRUSSELS FERRY  
HVAC ARRANGEMENT AND DETAILS - ENGINE ROOM**

F.A.P. RTE.	SECTION	COUNTY	TOTAL SHEETS	SHEET NO.
304	21-3	JERSEY	47	34
CONTRACT NO. 76D29				
FED. ROAD DIST. NO.		ILLINOIS	FED. AID PROJECT	