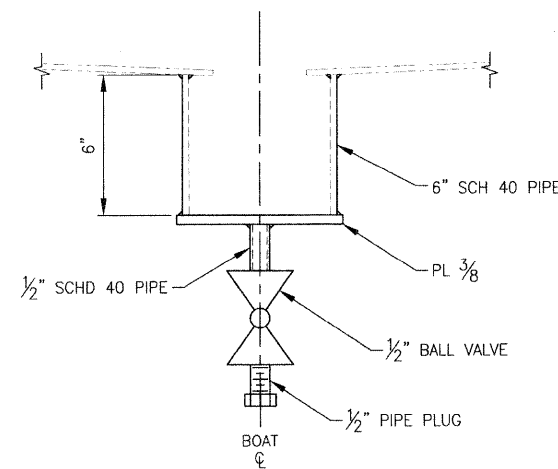
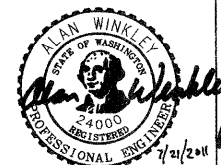
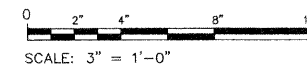


1 SPILL CONTAINMENT BOX DETAIL
 MADE FROM 3/16" STEEL PLATE
 SCALE: NTS



2 DETAIL
 SCALE: 3" = 1'-0"



FILE NAME =	USER NAME =	DESIGNED — A. WINKLEY	REVISED —
		DRAWN — C. FAWCER	REVISED —
		CHECKED — P. MARTIN	REVISED —
		DATE — 7/19/2011	REVISED —

STATE OF ILLINOIS
 DEPARTMENT OF TRANSPORTATION

IDOT BRUSSELS FERRY
 DIESEL FUEL PIPING - DETAILS

SCALE: NTS SHEET NO. OF SHEETS STA. TO STA.

F.A.P. RTE.	SECTION	COUNTY	TOTAL SHEETS	SHEET NO.
304	21-3	JERSEY	47	37
CONTRACT NO. 76D29			ILLINOIS FED. AID PROJECT	