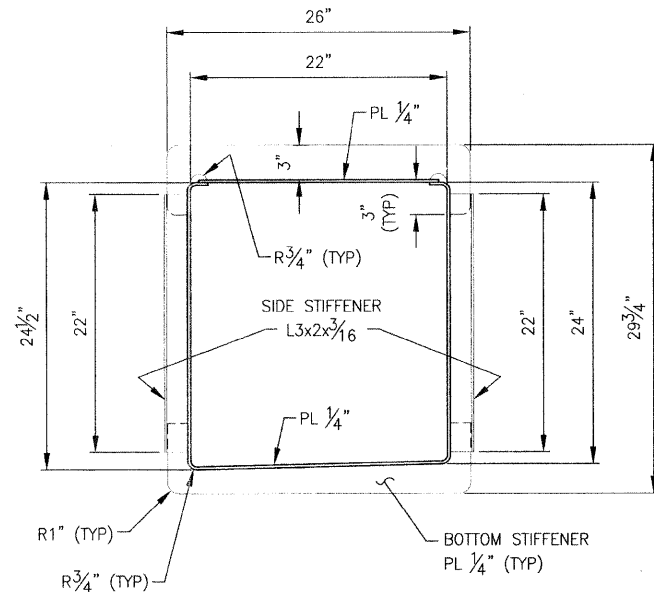
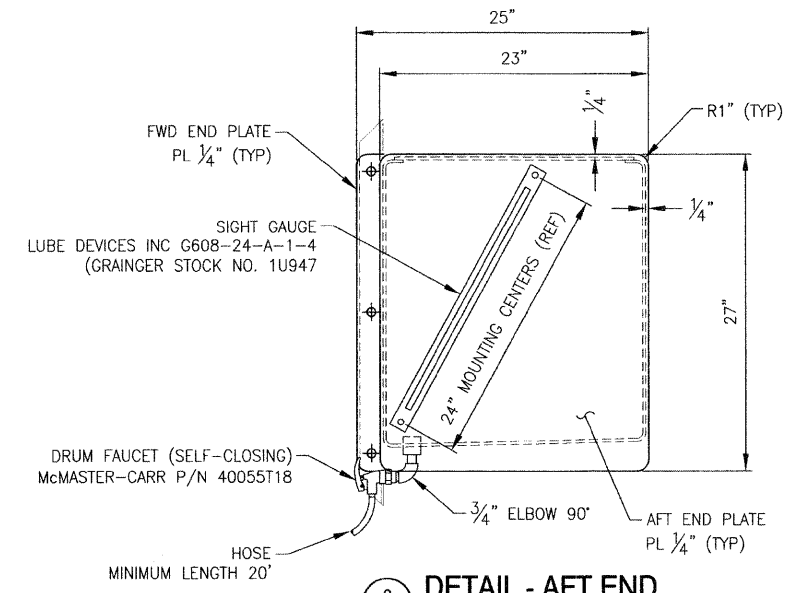


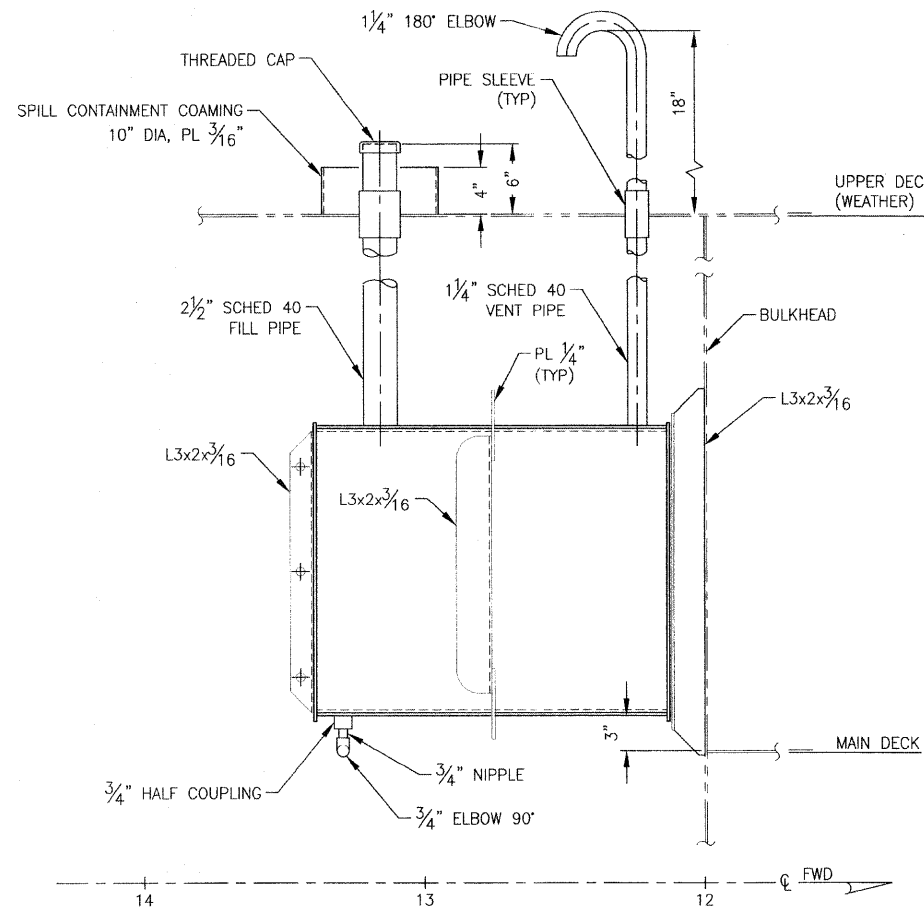
PLAN
SCALE: 1-1/2" = 1'-0"



1 **DETAIL - SECTION**
SCALE: 1-1/2" = 1'-0"



2 **DETAIL - AFT END**
SCALE: 1-1/2" = 1'-0"



3 **DETAIL**
STBD SIDE, LOOKING TO PORT
SCALE: 1-1/2" = 1'-0"



FILE NAME =	USER NAME =	DESIGNED -- A. WINKLEY	REVISED --
		DRAWN -- J. WALKER	REVISED --
		CHECKED -- P. MARTIN	REVISED --
		DATE -- 7/19/2011	REVISED --

STATE OF ILLINOIS
DEPARTMENT OF TRANSPORTATION

IDOT BRUSSELS FERRY
LUBE OIL TANK FABRICATION AND INSTALLATION

SCALE: AS SHOWN SHEET NO. OF SHEETS STA. TO STA.

F.A.P. RTE.	SECTION	COUNTY	TOTAL SHEETS	SHEET NO.
304	21-3	JERSEY	47	38
CONTRACT NO. 76D29				
FED. ROAD DIST. NO.		ILLINOIS	FED. AID PROJECT	