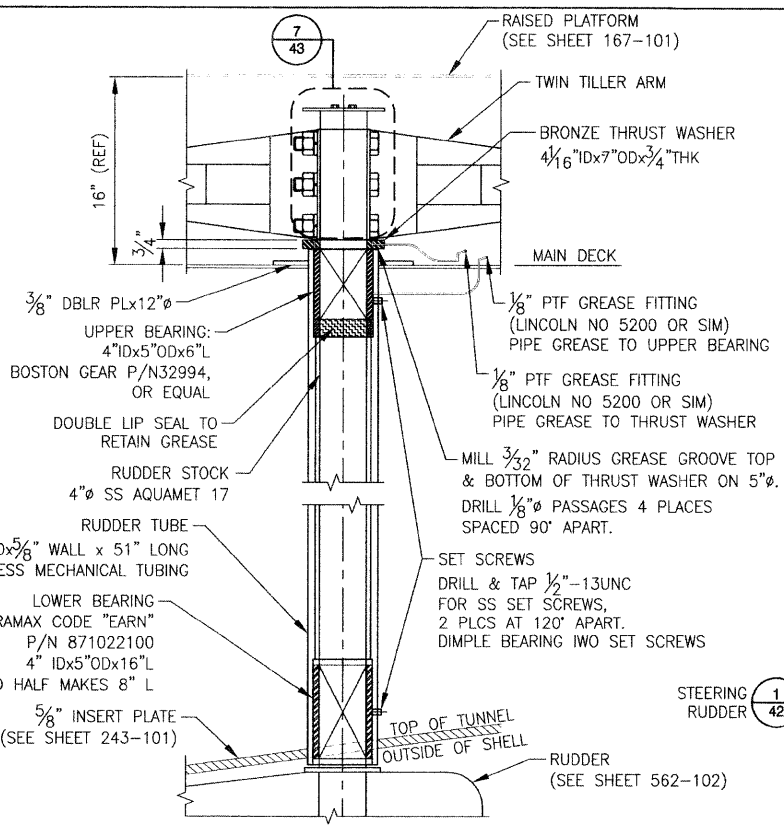
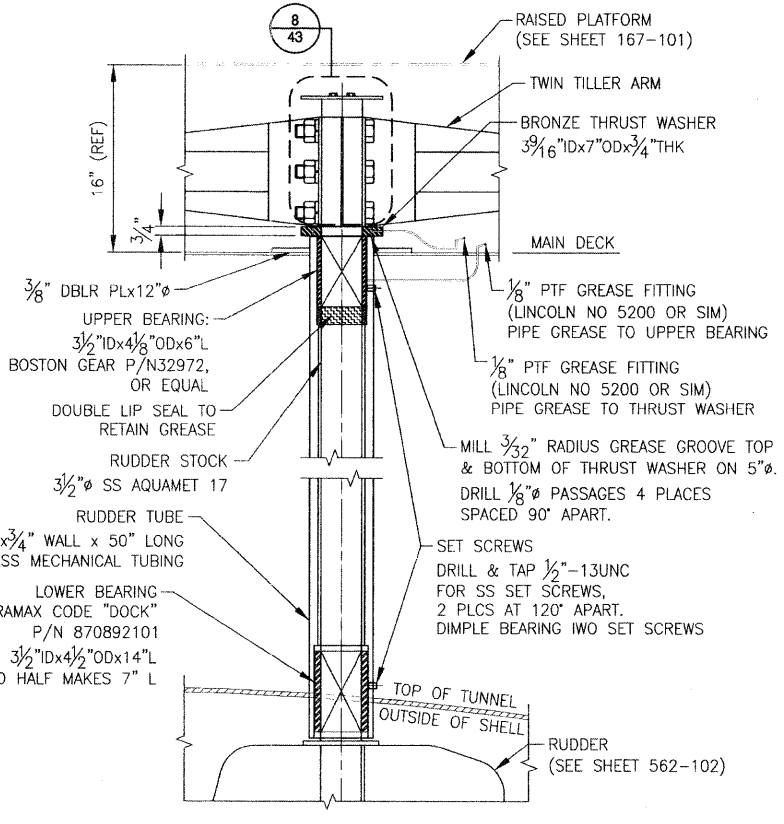


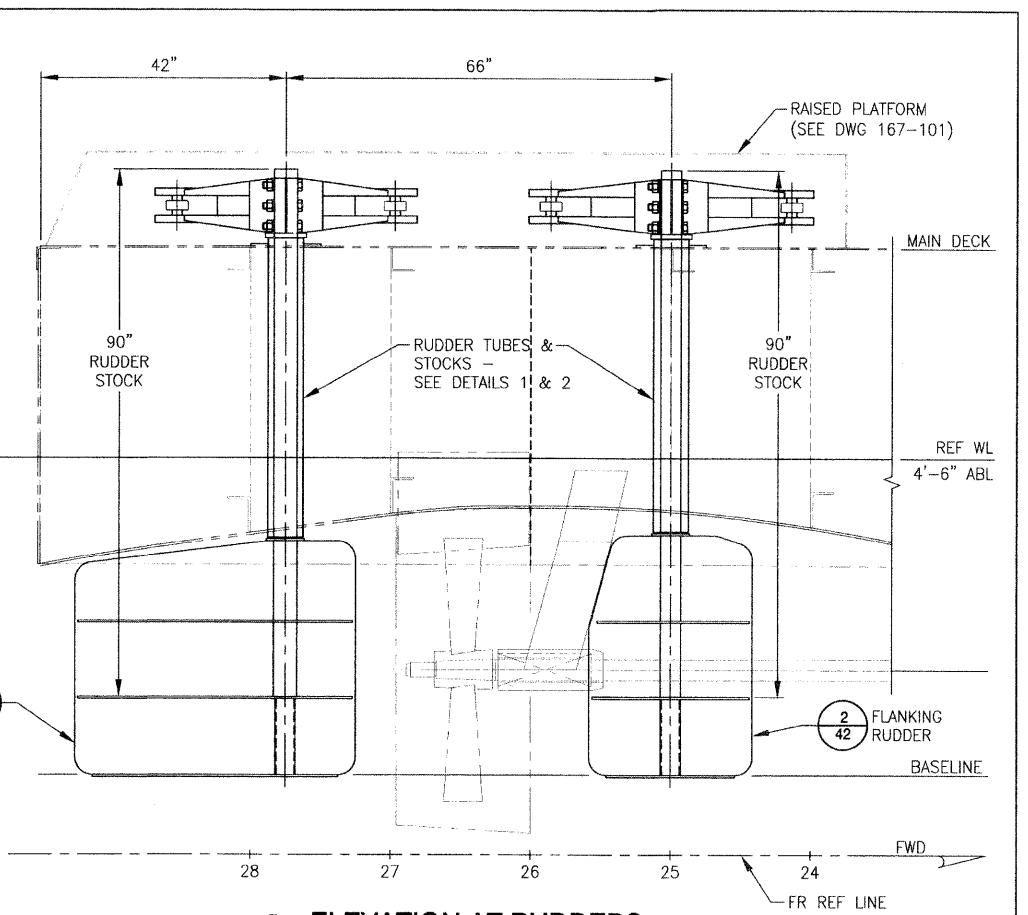
PLAN VIEW AT MAIN DECK
SCALE: 3/4" = 1'-0"



1 STEERING RUDDER TUBES AND STOCKS
SCALE: 1 1/2" = 1'-0"



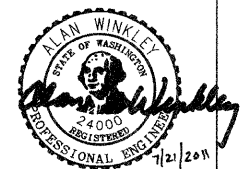
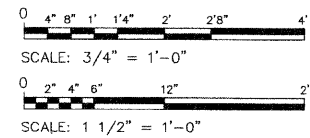
2 FLANKING RUDDER TUBES AND STOCKS
SCALE: 1 1/2" = 1'-0"



A ELEVATION AT RUDDERS
SCALE: 3/4" = 1'-0"

BILL OF MATERIAL			
PC NO.	QTY	DESCRIPTION	MATERIAL/SPECIFICATION/REMARKS
1	2 EA	TWIN TILLER ARM	KOBELT, 7094T-20-35, BORE 4" KEYWAY, R=18.67"
2	2 EA	TWIN TILLER ARM	KOBELT, SIM TO 7094T-20-35, BORE 3 1/2" KEYWAY, R ¹ =18.67", R ² =20.625"
3	2 EA	SINGLE TILLER ARM	KOBELT, SIM TO 7094S-20-35, BORE 3 1/2" KEYWAY, R ¹ =16.125", R ² =20.625"
4	4 EA	CYLINDER 24" STROKE	KOBELT, 7087-U24
5	4 EA	BRACKET & PIN SET	KOBELT, 7087-0205
6	4 EA	TIE BAR STUD KIT	KOBELT, 7087-1004 (EACH KIT CONTAINS 2 IDENTICAL HALVES)
7	12 EA	ROD END W/ BEARING	KOBELT, 7087-0104
8	12 EA	TILLER PIN SET	KOBELT, 7087-0175
9	1 EA	PIPE 3", SCHED 80	64" LONG, BY SHIPYARD
10	1 EA	PIPE 3", SCHED 80	99" LONG, BY SHIPYARD
11	2 EA	PIPE 3", SCHED 80	12" LONG, BY SHIPYARD

NOTE:
1. POSITION RUDDER STOPS TO CONTACT TILLER ARMS AT 39° RUDDER ANGLES (P/S).



FILE NAME =	USER NAME =	DESIGNED - A. WINKLEY	REVISED -
		DRAWN - J. WALKER	REVISED -
		CHECKED - P. MARTIN	REVISED -
		DATE - 7/19/2011	REVISED -

STATE OF ILLINOIS
DEPARTMENT OF TRANSPORTATION

IDOT BRUSSELS FERRY
RUDDERS AND STEERING GEAR

F.A.P. RTE.	SECTION	COUNTY	TOTAL SHEETS	SHEET NO.
304	21-3	JERSEY	47	41
CONTRACT NO.			76D29	
FED. ROAD DIST. NO.			ILLINOIS FED. AID PROJECT	