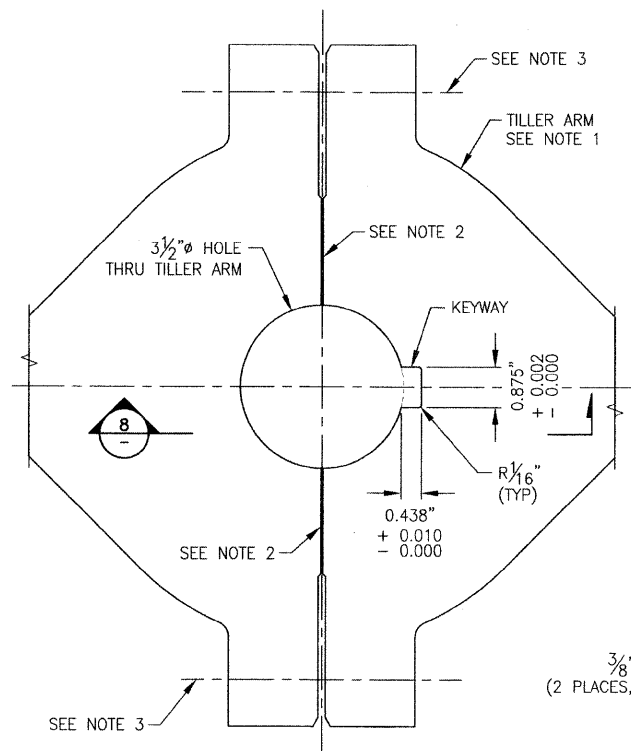
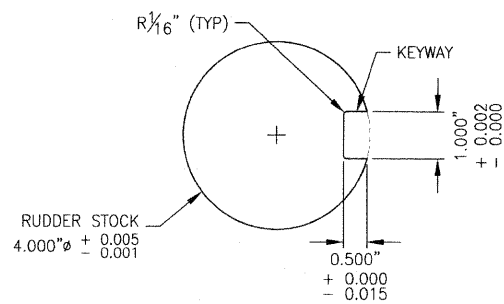


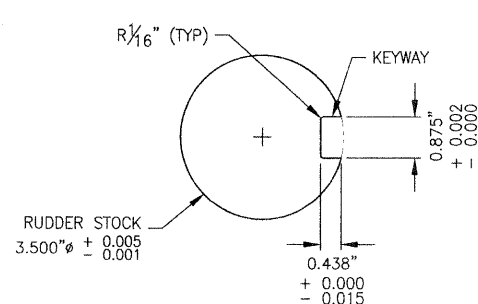
1 TILLER HUB DETAIL
STEERING RUDDER
SCALE: 6" = 1'-0"



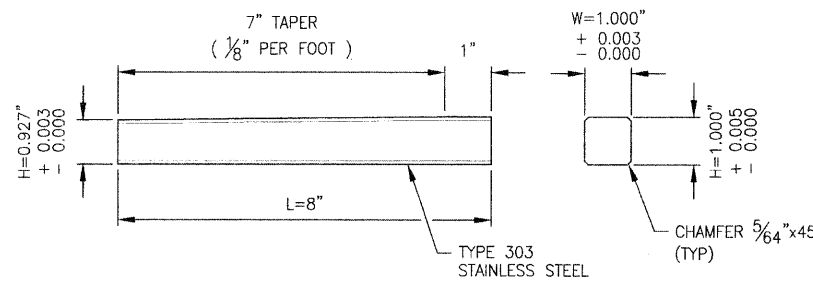
2 TILLER HUB DETAIL
FLANKING RUDDER
SCALE: 6" = 1'-0"



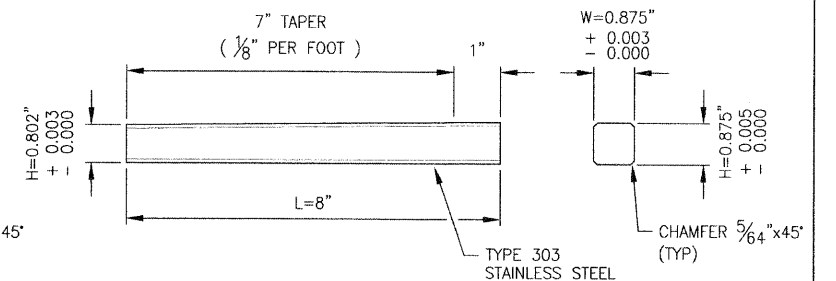
5 RUDDER STOCK DETAIL
STEERING RUDDER
SCALE: 6" = 1'-0"



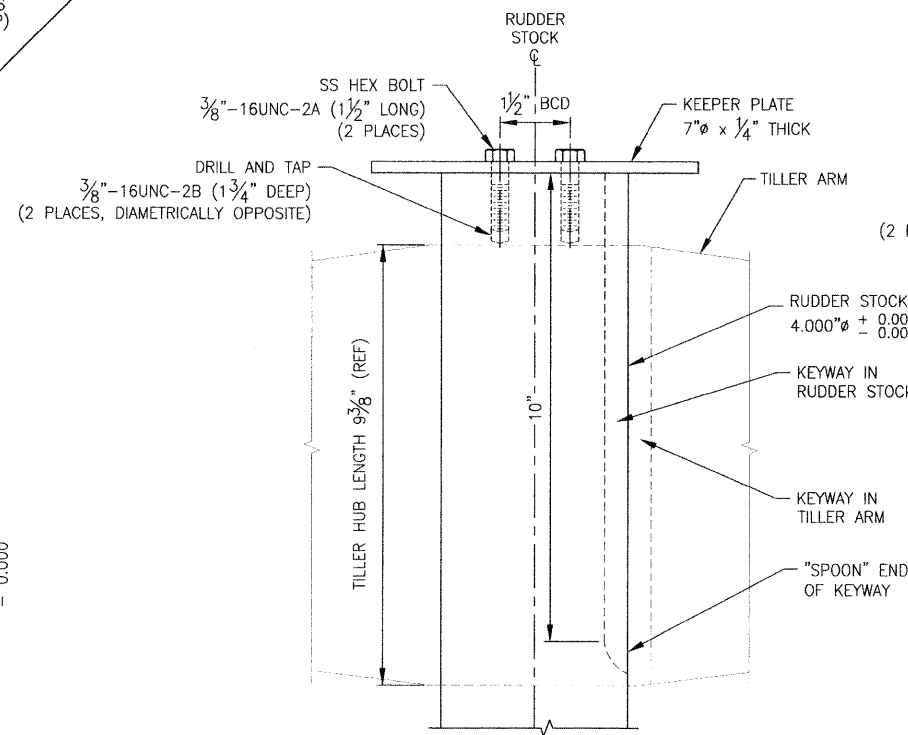
6 RUDDER STOCK DETAIL
FLANKING RUDDER
SCALE: 6" = 1'-0"



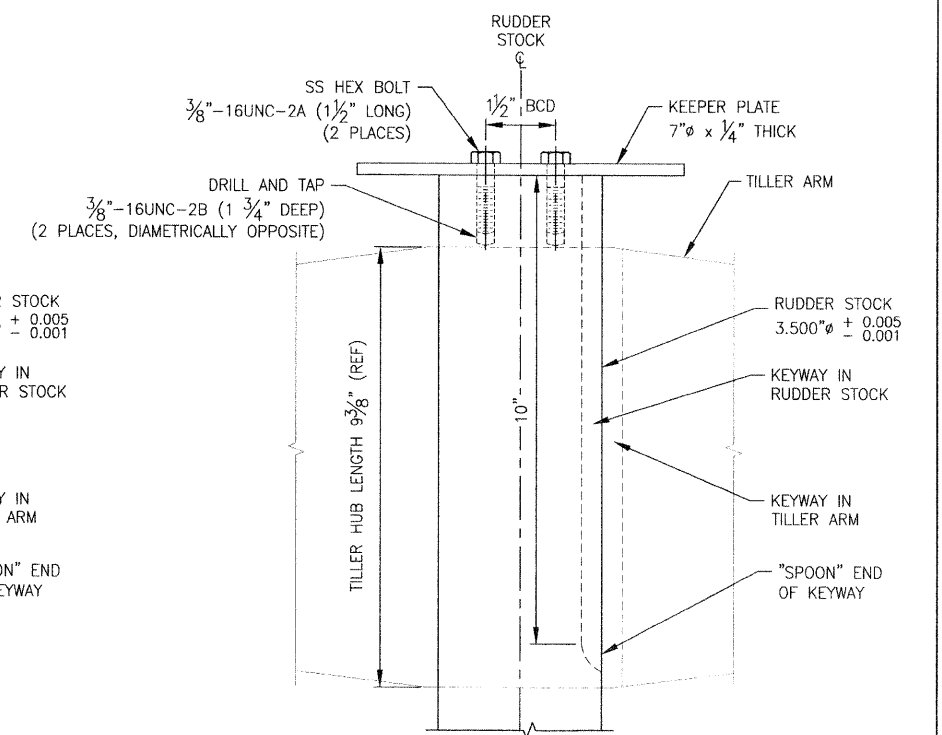
3 KEY DETAIL
STEERING RUDDER
SCALE: 6" = 1'-0"



4 KEY DETAIL
FLANKING RUDDER
SCALE: 6" = 1'-0"



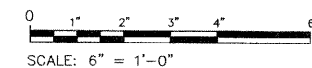
7 KEEPER PLATE DETAIL
STEERING RUDDER
SCALE: 6" = 1'-0"



8 KEEPER PLATE DETAIL
FLANKING RUDDER
SCALE: 6" = 1'-0"

NOTES:

- TILLER ARMS FURNISHED FROM VENDOR WITH PILOT HOLE FOR RUDDER STOCK BORE ONLY.
- THE TWO PARTS OF THE TILLER ARE TO BE BORED TOGETHER WITH A SHIM HAVING A THICKNESS OF .006" ±0.001".
- BOLTS, NUTS, AND OTHER FASTENING HARDWARE IS FURNISHED WITH THE TILLERS. BOLT TORQUE TO BE IN ACCORDANCE WITH MANUFACTURE'S INSTRUCTIONS.



FILE NAME =	USER NAME =	DESIGNED - A. WINKLEY	REVISED -	STATE OF ILLINOIS DEPARTMENT OF TRANSPORTATION	IDOT BRUSSELS FERRY RUDDERS AND STEERING GEAR - DETAILS	F.A.P. RTE.	SECTION	COUNTY	TOTAL SHEETS	SHEET NO.
	PLOT SCALE =	CHECKED - P. MARTIN	REVISED -			304	21-3	JERSEY	47	43
	PLOT DATE =	DATE - 7/19/2011	REVISED -			CONTRACT NO. 76D29				
SCALE: AS SHOWN						SHEET NO. OF SHEETS STA. TO STA.		DRAWING NO. CEIDT001PB-562-103		