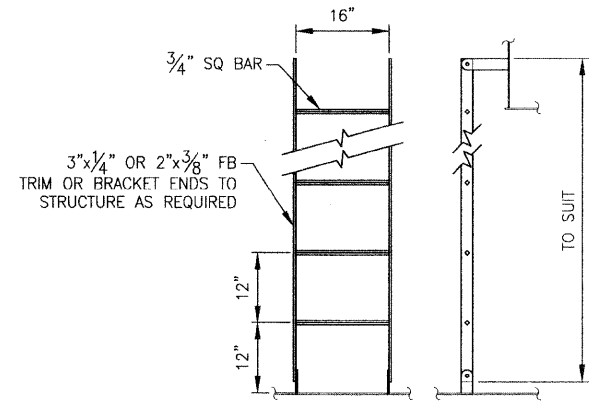
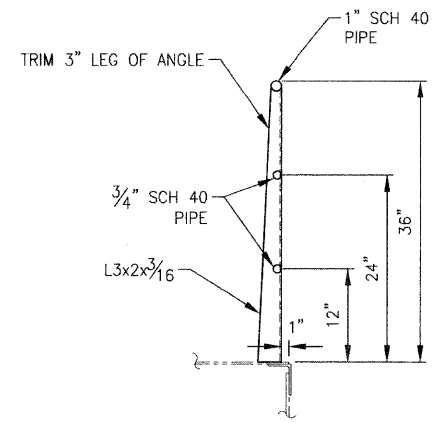


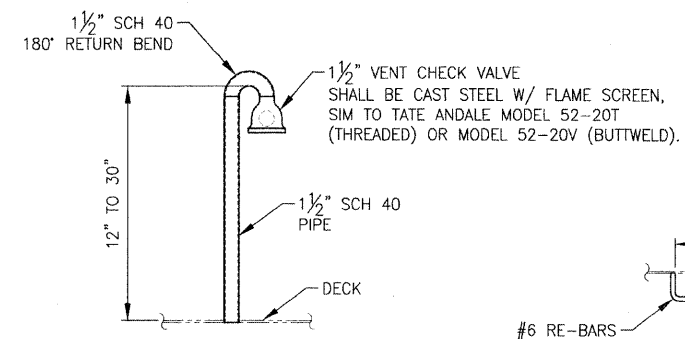
1 FENDER DETAIL
SCALE: 1/2" = 1'-0"



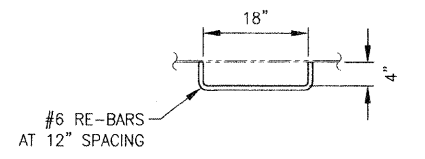
2 DETAIL
ENGINE ROOM ESCAPE LADDER
SCALE: 3/4" = 1'-0"



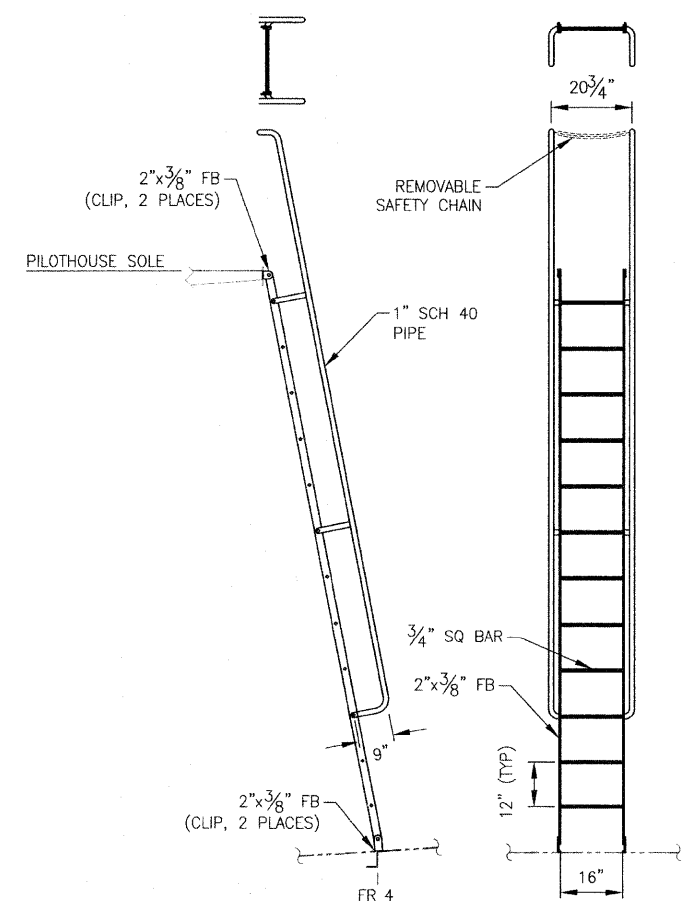
3 DETAIL
TYPICAL RAILING STANCHION
SCALE: 1" = 1'-0"



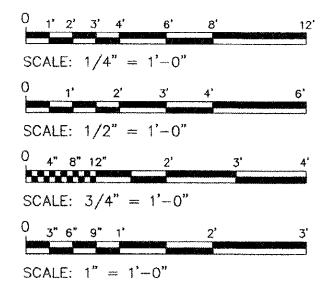
4 DETAIL
GOOSNECK VENT
SCALE: 1" = 1'-0"



5 DETAIL
TANK AND VOID LADDER RUNGS
7 PLACES, AS INDICATED BY NOTATION 'VL'
SCALE: 3/4" = 1'-0"



6 DETAIL
PILOT HOUSE LADDER
SCALE: 1/2" = 1'-0"



FILE NAME =	USER NAME =	DESIGNED -- A. WINKLEY	REVISED --	STATE OF ILLINOIS DEPARTMENT OF TRANSPORTATION	IDOT BRUSSELS FERRY DECK FITTINGS, RAILINGS, AND LADDERS - DETAILS			F.A.P. RTE.	SECTION	COUNTY	TOTAL SHEETS	SHEET NO.
	PLOT SCALE =	DRAWN -- J. WALKER	REVISED --					304	21-3	JERSEY	47	45
	PLOT DATE =	CHECKED -- P. MARTIN	REVISED --		SCALE: AS SHOWN SHEET NO. OF SHEETS STA. TO STA.			CONTRACT NO. 76D29				
		DATE -- 7/19/2011	REVISED --		DRAWING NO. CEIDT001PB-611-102			FED. ROAD DIST. NO. ILLINOIS FED. AID PROJECT				