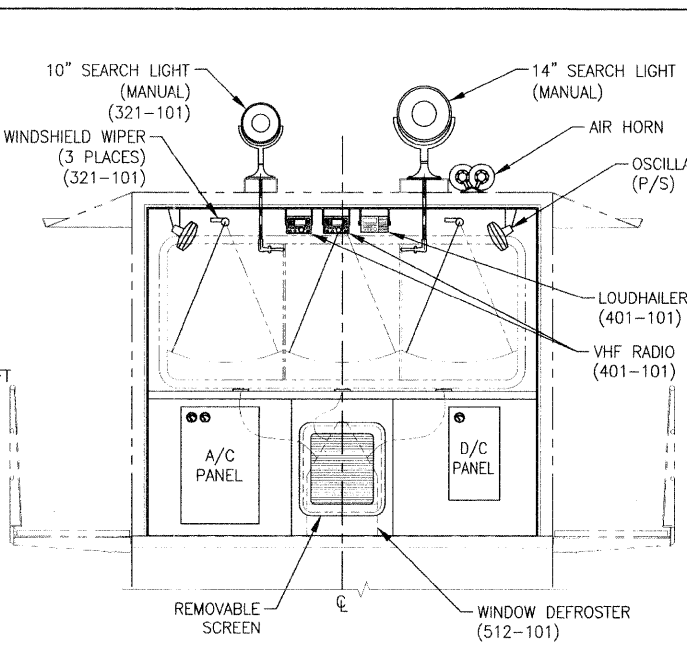
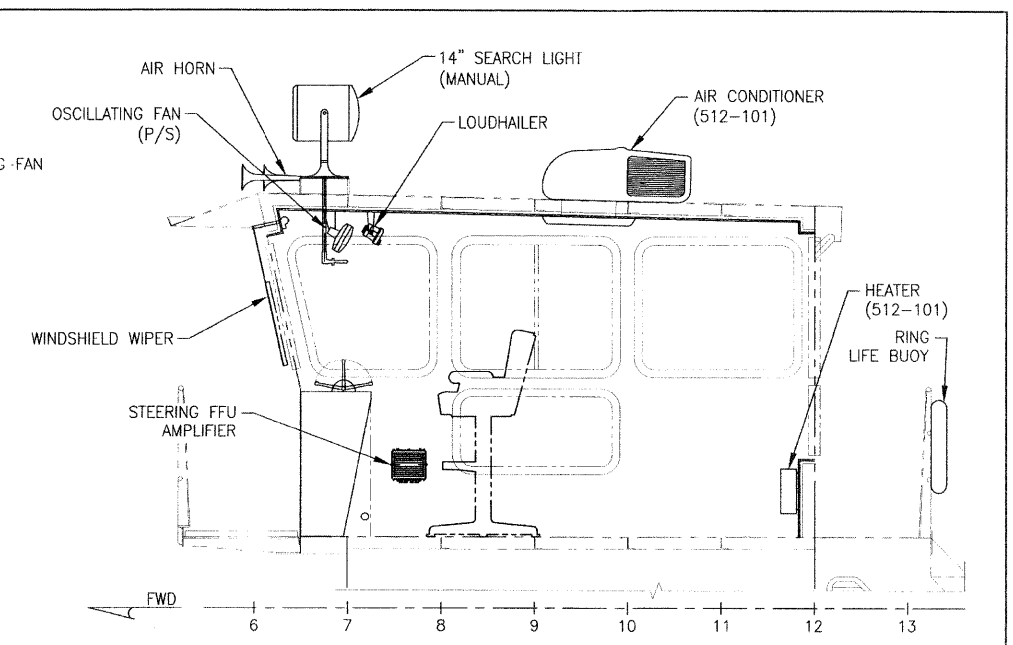


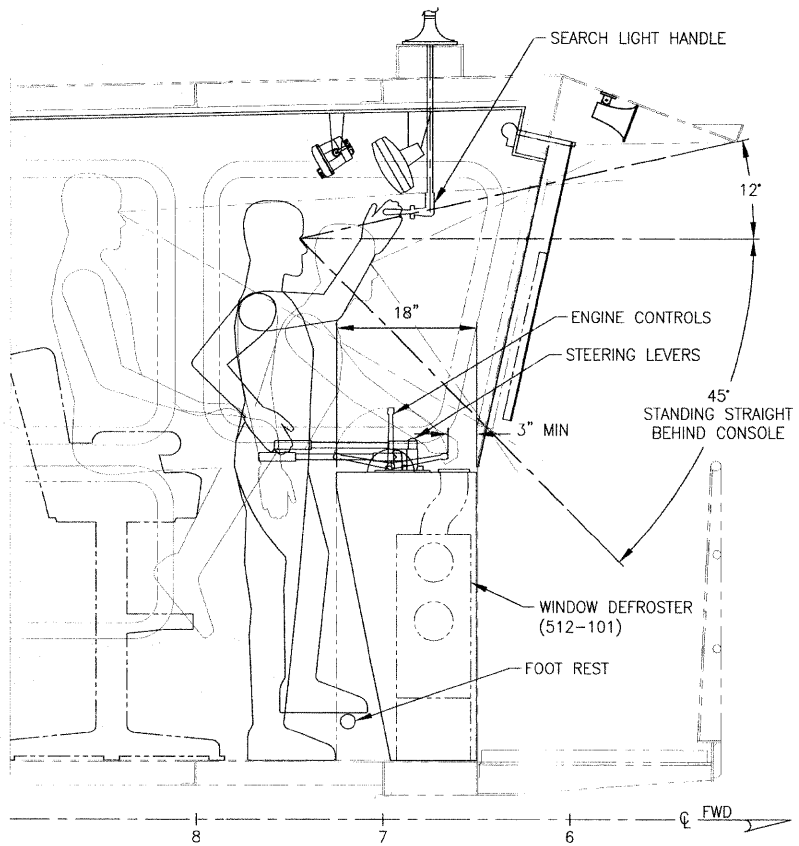
**PILOTHOUSE PLAN**  
SCALE: 3/4" = 1'-0"



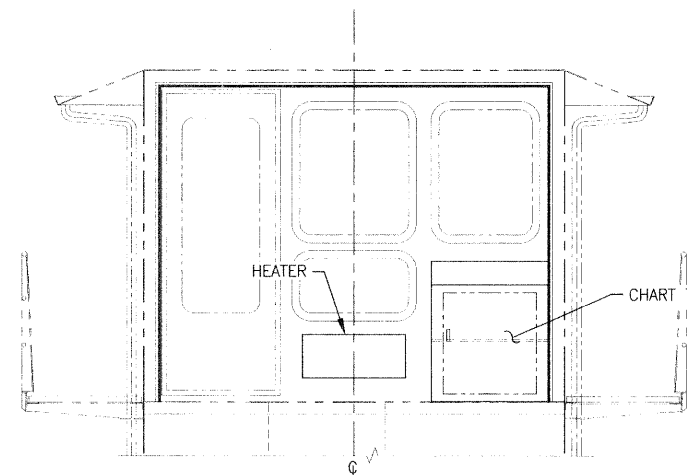
**A FWD BHD ARRANGEMENT**  
LOOKING FWD  
SCALE: 1/2" = 1'-0"



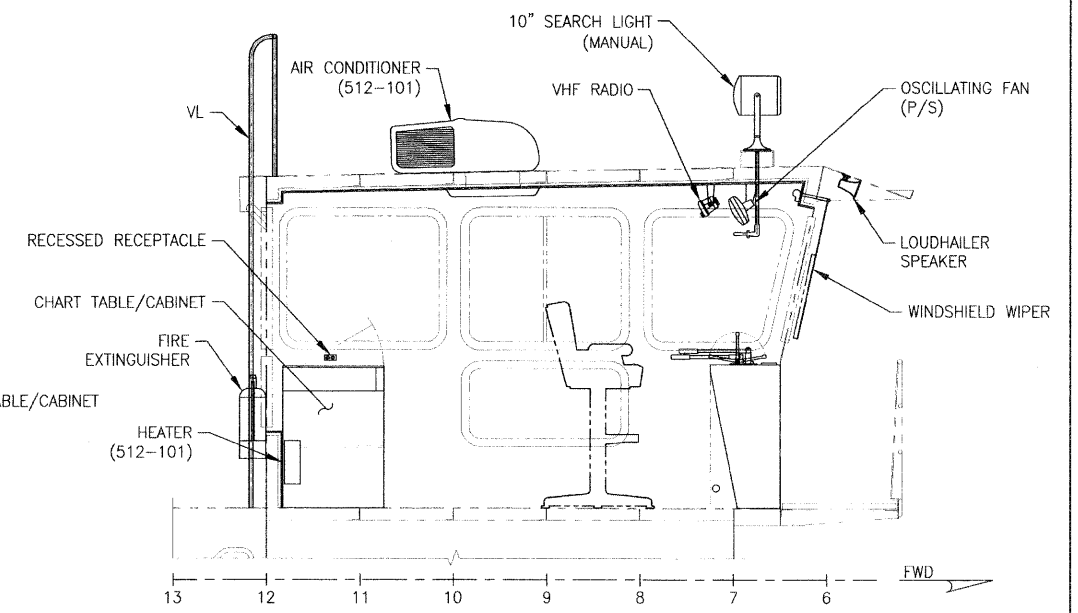
**B STBD BHD ARRANGEMENT**  
LOOKING OUTBD  
SCALE: 1/2" = 1'-0"



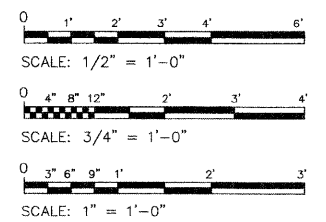
**E SIGHT ARRANGEMENT**  
SCALE: 1" = 1'-0"



**C AFT BHD ARRANGEMENT**  
LOOKING AFT  
SCALE: 1/2" = 1'-0"



**D PORT BHD ARRANGEMENT**  
LOOKING OUTBD  
SCALE: 1/2" = 1'-0"



FILE NAME =	USER NAME =	DESIGNED -- J. WALKER	REVISED --
		DRAWN -- J. WALKER	REVISED --
		CHECKED -- A. WINKLEY	REVISED --
		DATE -- 7/19/2011	REVISED --

**STATE OF ILLINOIS  
DEPARTMENT OF TRANSPORTATION**

**IDOT BRUSSELS FERRY  
PILOTHOUSE ARRANGEMENT AND INTERIOR DETAILS**

F.A.P. RTE.	SECTION	COUNTY	TOTAL SHEETS	SHEET NO.
304	21-3	JERSEY	47	47
CONTRACT NO. 76D29				
FED. ROAD DIST. NO.		ILLINOIS FED. AID PROJECT		