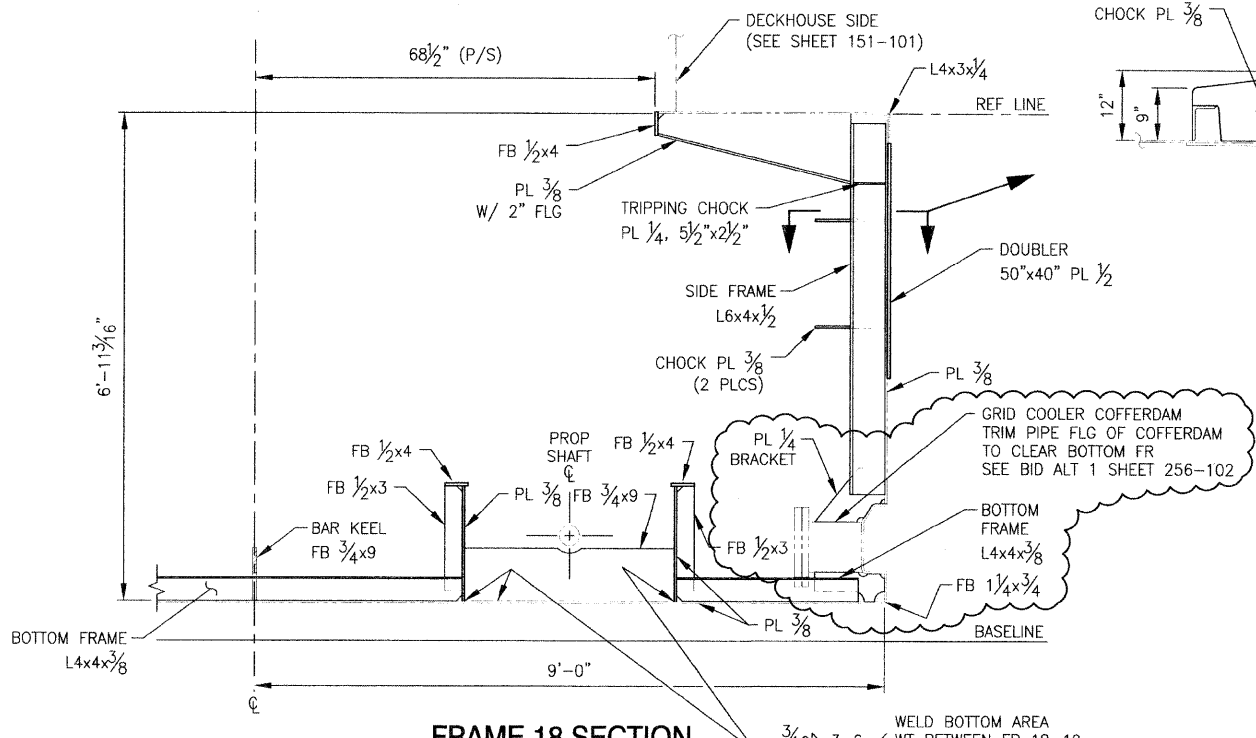
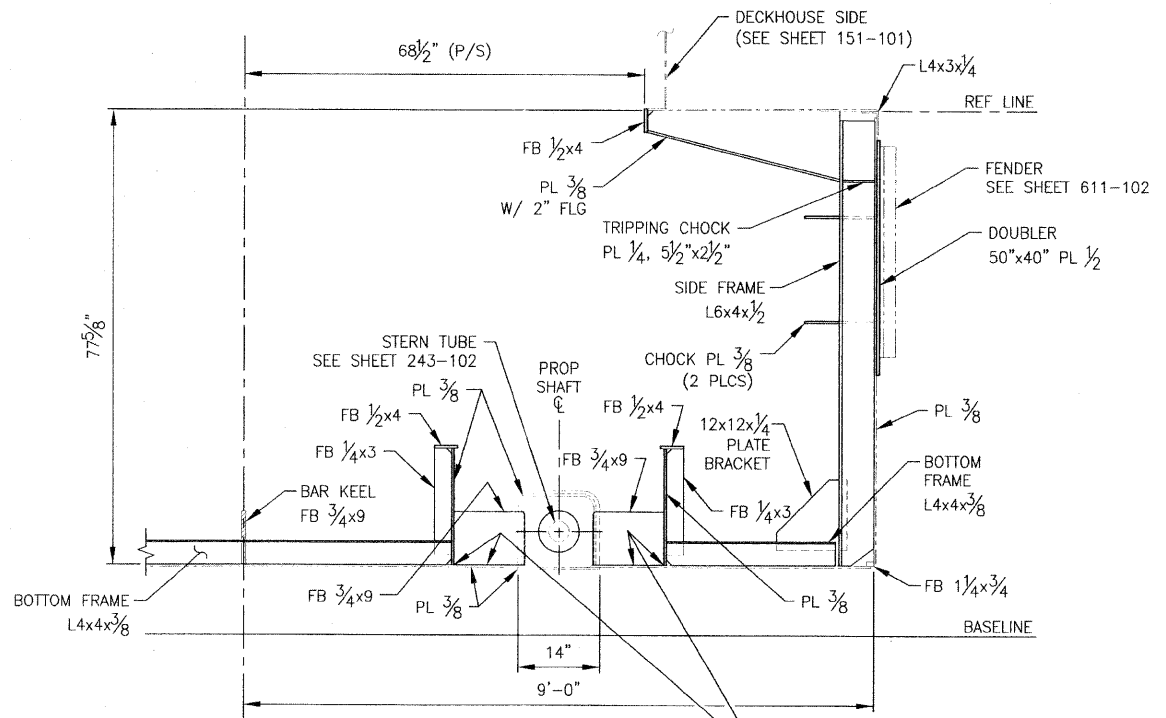


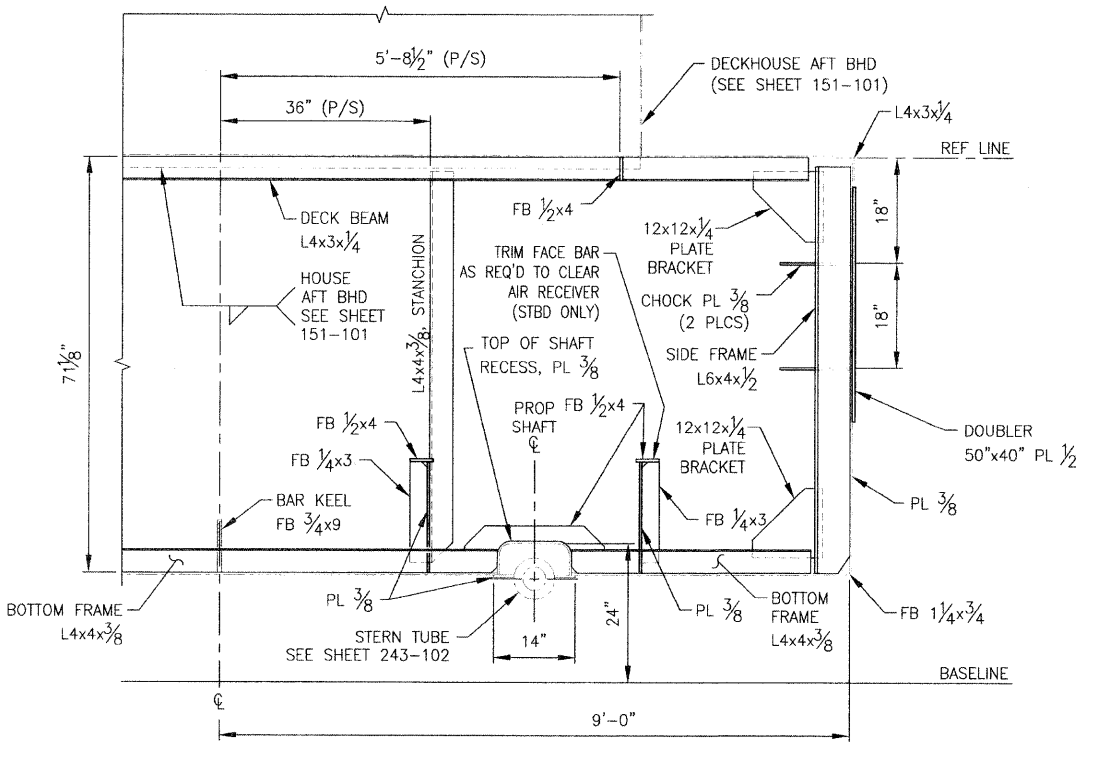
FRAME 17 SECTION
LOOKING AFT
SCALE: 3/4" = 1'-0"



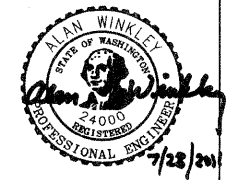
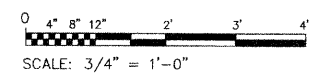
FRAME 18 SECTION
LOOKING AFT
SCALE: 3/4" = 1'-0"



FRAME 19 SECTION
LOOKING AFT
SCALE: 3/4" = 1'-0"



FRAME 20 SECTION
LOOKING AFT
SCALE: 3/4" = 1'-0"



ART ANDERSON ASSOCIATES
202 PACIFIC AVE., BIRMINGHAM, WA 98157
(360) 479-2500

FILE NAME =	USER NAME =	DESIGNED - A. WINKLEY	REVISED -
		DRAWN - J. WALKER	REVISED -
		CHECKED - P. MARTIN	REVISED -
		DATE - 7/26/2011	REVISED -

STATE OF ILLINOIS
DEPARTMENT OF TRANSPORTATION

IDOT BRUSSELS FERRY - BID ALTERNATE
TRANSVERSE FRAMING - FR 17 TO 20

SCALE: AS SHOWN SHEET NO. OF SHEETS STA. TO STA.

F.A.P. RTE.	SECTION	COUNTY	TOTAL SHEETS	SHEET NO.
304	21-3	JERSEY	47	11
CONTRACT NO.		76D29		
FED. ROAD DIST. NO.		ILLINOIS FED. AID PROJECT		