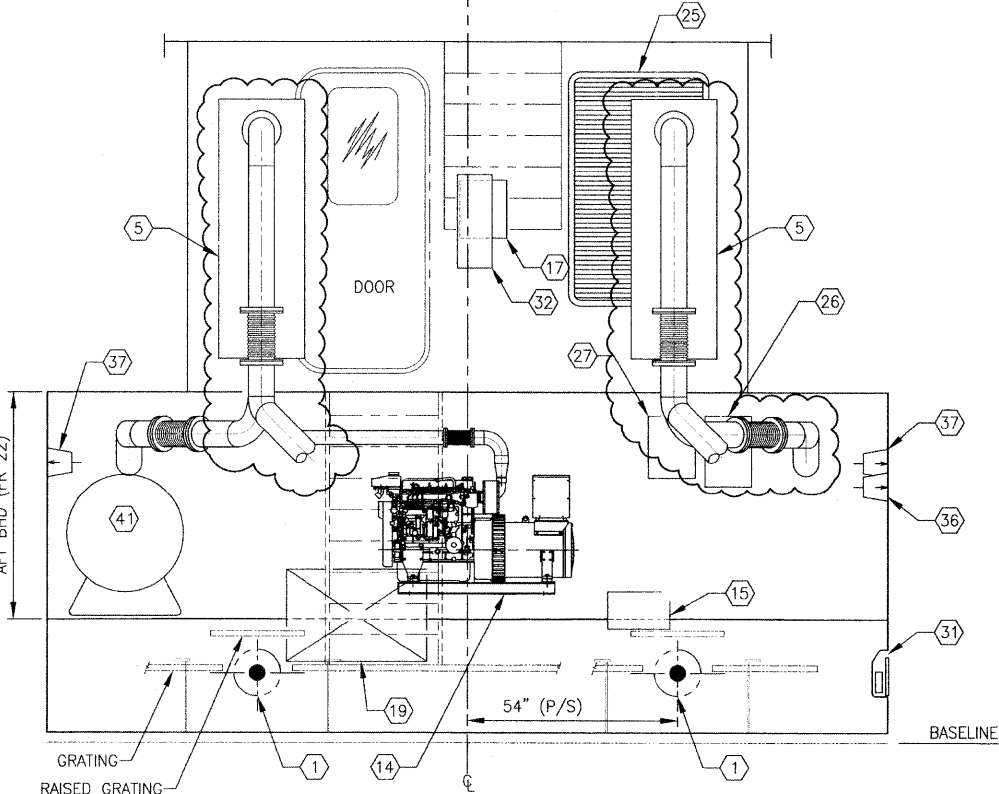
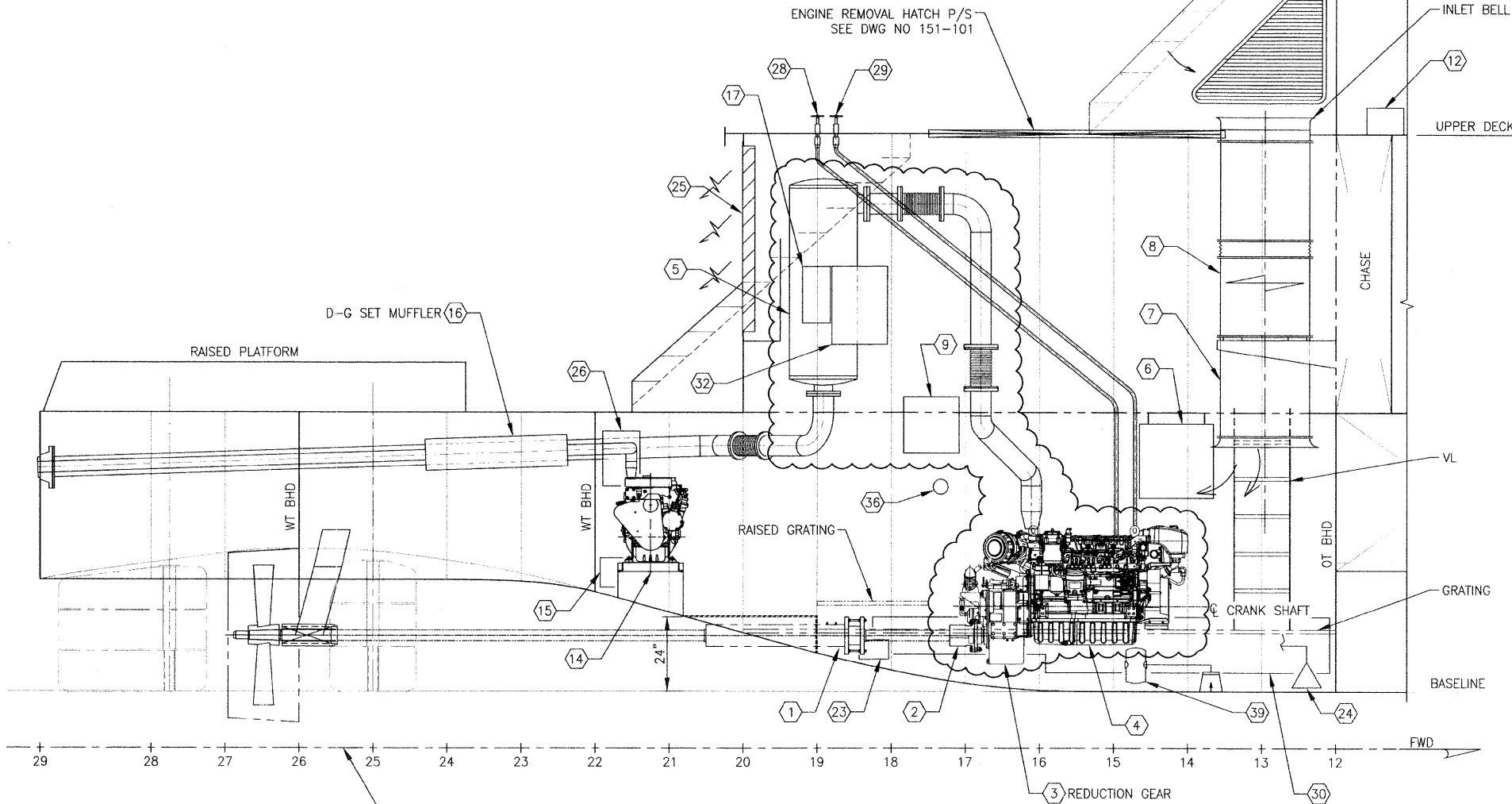


**SECTION LOOKING FWD**  
FROM FRAME 14  
SCALE: 1/2" = 1'-0"

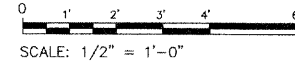


**SECTION LOOKING AFT**  
FROM FRAME 17  
SCALE: 1/2" = 1'-0"



**PORT ELEVATION**  
SCALE: 1/2" = 1'-0"

NOTE:  
1. SEE BID ALT 1 DRAWING 233-101 FOR MACHINERY LIST.



**ART ANDERSON ASSOCIATES**  
202 PACIFIC AVE., BELLINGHAM, WA 98227  
(509) 479-5600

FILE NAME =	USER NAME =	DESIGNED - A. WINKLEY	REVISED -
		DRAWN - J. WALKER	REVISED -
	PLOT SCALE =	CHECKED - P. MARTIN	REVISED -
	PLOT DATE =	DATE - 7/26/2011	REVISED -

STATE OF ILLINOIS  
DEPARTMENT OF TRANSPORTATION

**BID ALT 1**  
IDOT BRUSSELS FERRY - BID ALTERNATE  
MACHINERY ARRANGEMENT - SECTIONS AND ELEVATION

F.A.P. RTE. 304	SECTION 21-3	COUNTY JERSEY	TOTAL SHEETS 47	SHEET NO. 20
SCALE: AS SHOWN		SHEET NO. OF SHEETS		STA. TO STA.
FED. ROAD DIST. NO.		ILLINOIS		FED. AID PROJECT
DRAWING NO. CEIDT001PB-233-102		CONTRACT NO. 76D29		