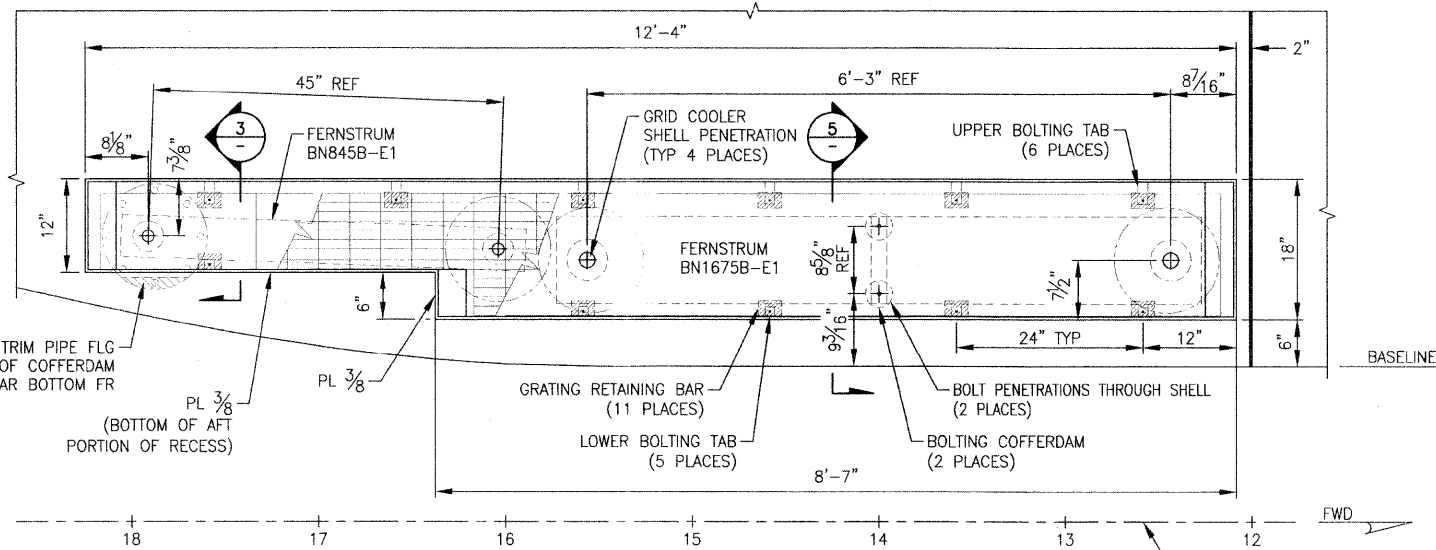
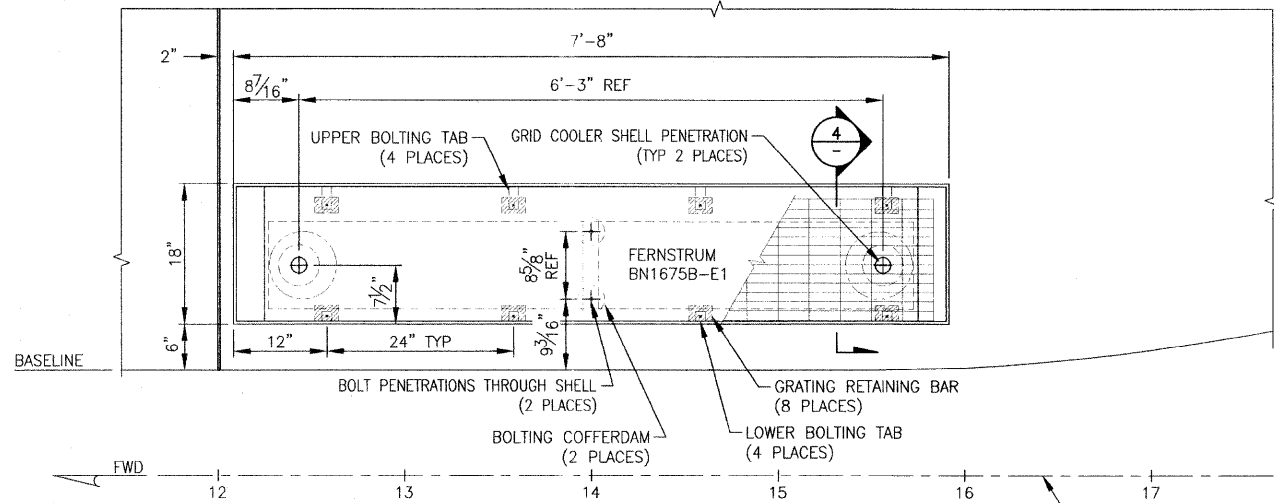


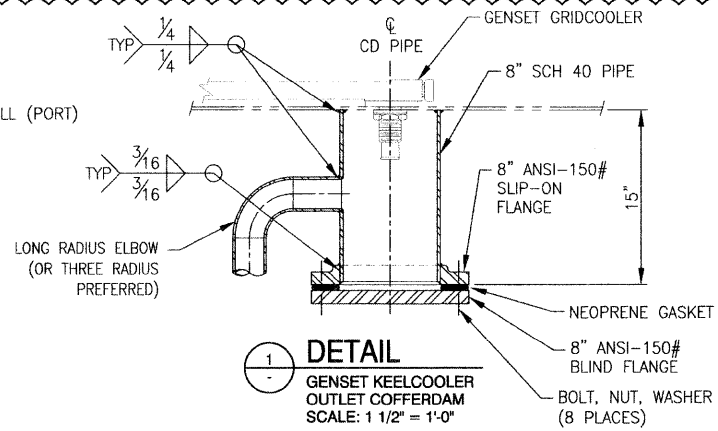
**PLAN**  
KEELCOOLER POCKET  
PORT SIDE SHOWN  
SCALE: 1" = 1'-0"



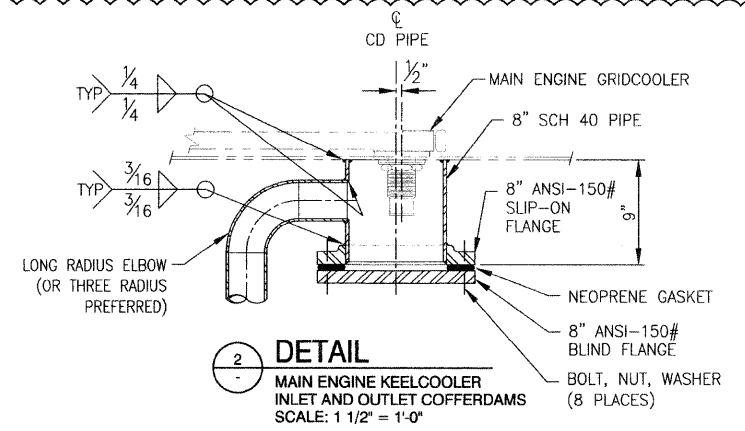
**A ELEVATION**  
PORT KEELCOOLERS  
LOOKING OUTBOARD  
SCALE: 1" = 1'-0"



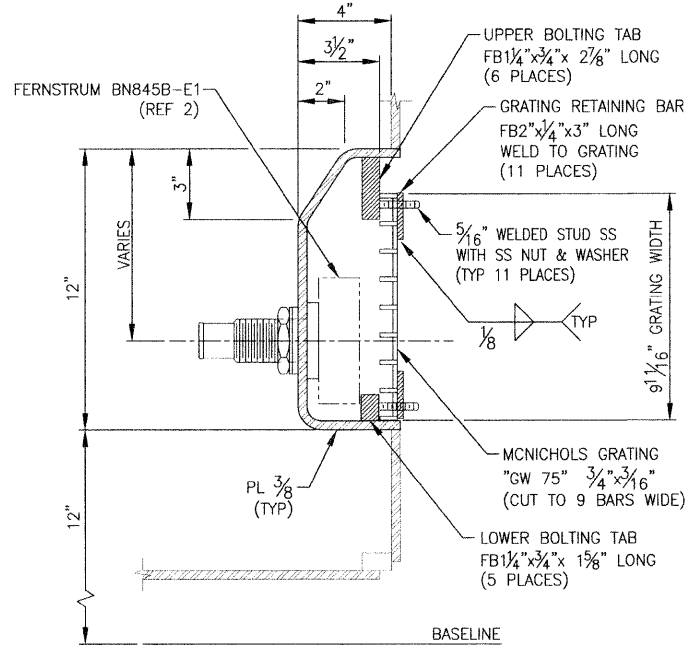
**B ELEVATION**  
STBD KEELCOOLER  
LOOKING OUTBOARD  
SCALE: 1" = 1'-0"



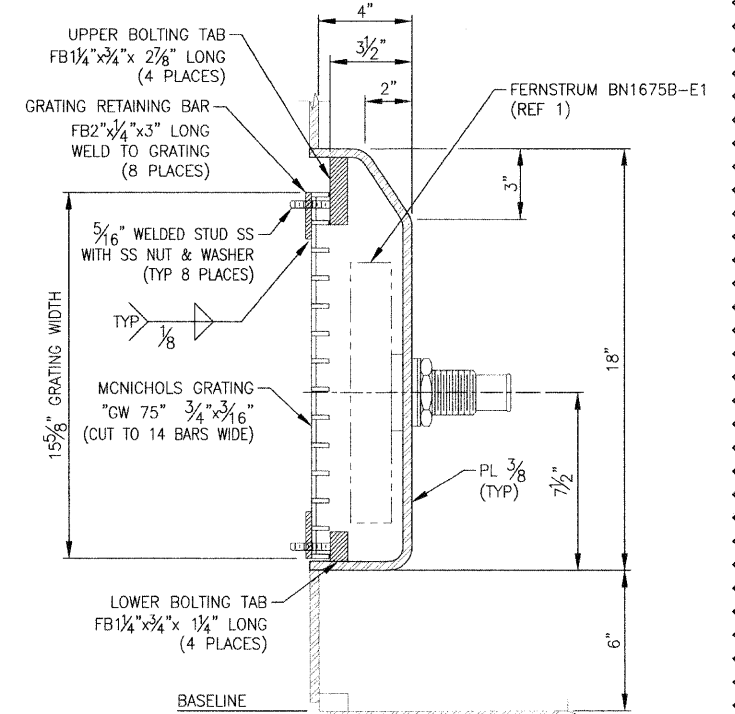
**1 DETAIL**  
GENSET KEELCOOLER  
OUTLET COFFERDAM  
SCALE: 1 1/2" = 1'-0"



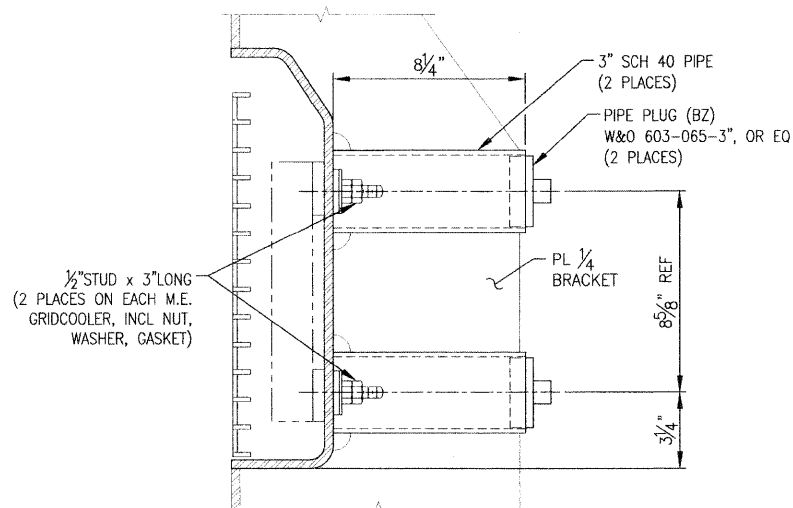
**2 DETAIL**  
MAIN ENGINE KEELCOOLER  
INLET AND OUTLET COFFERDAMS  
SCALE: 1 1/2" = 1'-0"



**3 DETAIL**  
PORT GRIDCOOLER INSTALLATION  
IN KEELCOOLER POCKET  
SCALE: 3" = 1'-0"

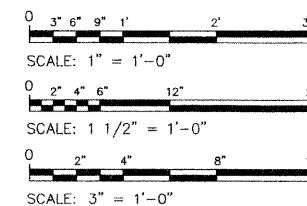


**4 DETAIL**  
STBD GRIDCOOLER INSTALLATION  
IN KEELCOOLER POCKET  
SCALE: 3" = 1'-0"



**5 DETAIL**  
GRIDCOOLER BOLTING & COFFERDAM AT FR 14  
PORT SIDE SHOWN, STBD SIDE SIM  
SCALE: 3" = 1'-0"

- REFERENCES:
1. R.W FERNSTRUM & CO. DWG NO BN1675B-E1
  2. R.W FERNSTRUM & CO. DWG NO BN845B-E1



FILE NAME =	USER NAME =	DESIGNED - A. WINKLEY	REVISED -
		DRAWN - J. WALKER	REVISED -
	PLOT SCALE =	CHECKED - P. MARTIN	REVISED -
	PLOT DATE =	DATE - 7/26/2011	REVISED -

STATE OF ILLINOIS  
DEPARTMENT OF TRANSPORTATION

IDOT BRUSSELS FERRY - BID ALTERNATE  
MACHINERY COOLING SYSTEM PIPING - DETAILS

SCALE: AS SHOWN SHEET NO. OF SHEETS STA. TO STA.

F.A.P. RTE.	SECTION	COUNTY	TOTAL SHEETS	SHEET NO.
304	21-3	JERSEY	47	24
CONTRACT NO. 76D29		FED. ROAD DIST. NO. ILLINOIS FED. AID PROJECT		

DRAWING NO. CEIDT001PB-256-102