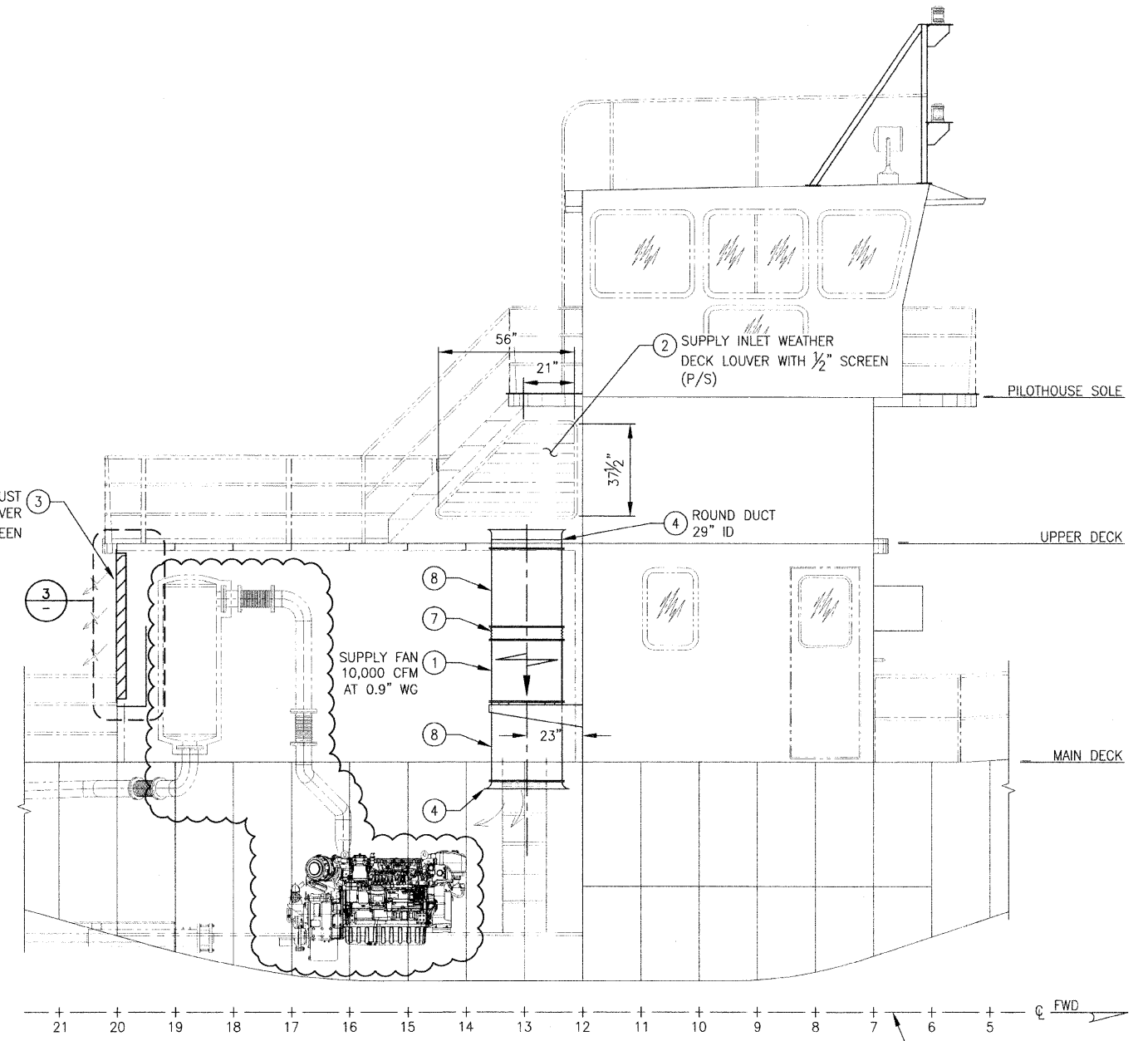
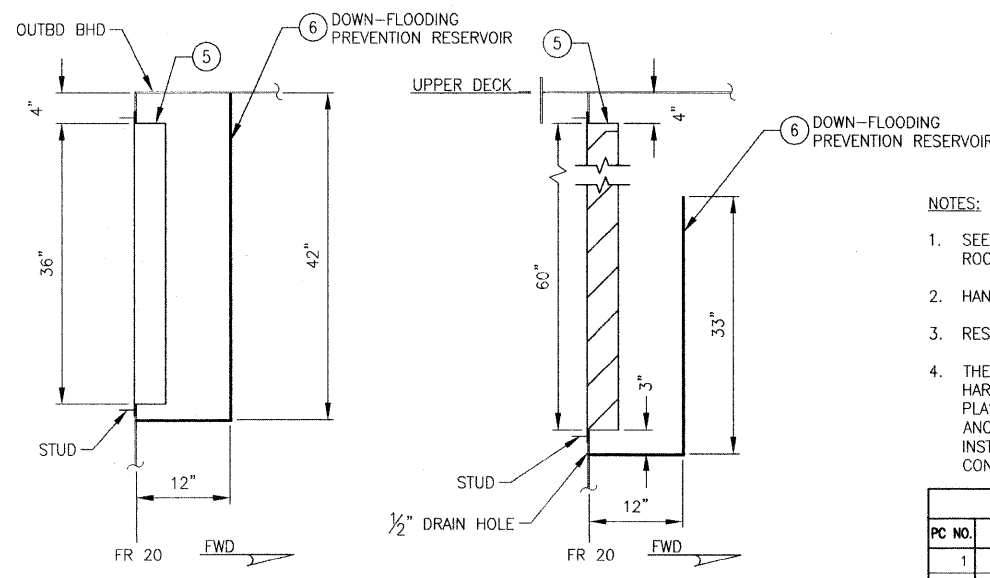


MACHINERY PLAN
SCALE: 1/2" = 1'-0"



SECTION 1
SCALE: 3/8" = 1'-0"



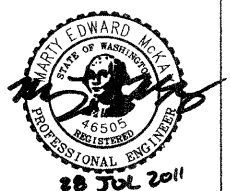
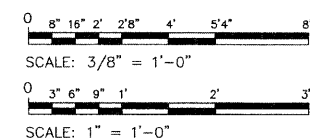
2 DETAIL
SCALE: 1" = 1'-0"

3 DETAIL
SCALE: 1" = 1'-0"

NOTES:

- SEE BID ALT 1 DRAWING 233-101 AND BID ALT 1 DRAWING 233-102 FOR ADDITIONAL ENGINE ROOM ARRANGEMENT DETAILS.
- HANGERS SHALL BE FITTED FOR PROPER SUPPORT OF ALL DUCTWORK.
- RESILIENTLY MOUNT FAN TO BHD 12 IN ACCORDANCE WITH MANUFACTURERS RECOMMENDATIONS.
- THE LIST OF MATERIALS FOR THIS DRAWING DOES NOT INCLUDE MISCELLANEOUS MATERIALS AND HARDWARE SUCH AS NUTS, BOLTS, SCREWS PLASTIC SEALANT, ELECTRICAL INSULATION TAPE, PLASTIC VINYL ELECTRICIANS TAPE, TIE-WARPS, HEAT SHRINK, SLEEVING, AND OTHER SUCH ANCILLARY ITEMS. HOWEVER ALL ITEMS NECESSARY FOR A COMPLETE, FINISHED AND OPERATIONAL INSTALLATION CONFORMING TO GOOD SHIPBUILDING PRACTICE SHALL BE PROVIDED BY THE CONTRACTOR.

BILL OF MATERIAL			
PC NO.	QTY	DESCRIPTION	MATERIAL/SPECIFICATION/REMARKS
1	1 EA	SUPPLY FAN	HARTZELL A53C--297VA---STAKD, 10,000 CFM, 0.9" WG, 3HP, 1140RPM
2	2 EA	WEATHER DECK LOUVER, INTAKE	RUSKIN ELF6350DMP INTEGRAL FLANGE W/ BIRD & INSECT SCREEN
3	1 EA	WEATHER DECK LOUVER, EXHAUST	RUSKIN ELF445DXH INTEGRAL FLANGE W/ BIRD & INSECT SCREEN
4	AS REQ	DUCT	16 GAUGE GALVANIZED STEEL, SOUND LINED
5	AS REQ	GASKET MATERIAL	BUNA-N RUBBER
6	AS REQ	PLATE, 3/16"	ASTM A36
7	1 EA	FLEXIBLE DUCT CONNECTION	DURO DYNE
8	2 EA	SILENCER	MARINE GRADE



BID ALT 1

DRAWING NO. CEIDT001PB-512-102

FILE NAME =	USER NAME =	DESIGNED - M. MCKAY	REVISED -
		DRAWN - C. FAWNER	REVISED -
		CHECKED - P. MARTIN	REVISED -
		DATE - 7/26/2011	REVISED -

STATE OF ILLINOIS
DEPARTMENT OF TRANSPORTATION

IDOT BRUSSELS FERRY
HVAC ARRANGEMENT AND DETAILS - ENGINE ROOM

F.A.P. RTE. 304	SECTION 21-3	COUNTY JERSEY	TOTAL SHEETS 47	SHEET NO. 34
FED. ROAD DIST. NO.		ILLINOIS FED. AID PROJECT		CONTRACT NO. 76D29