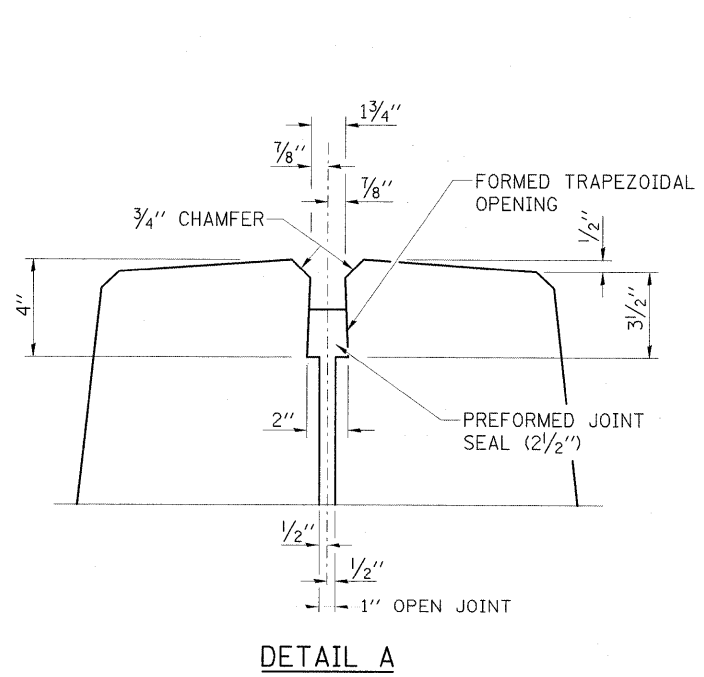
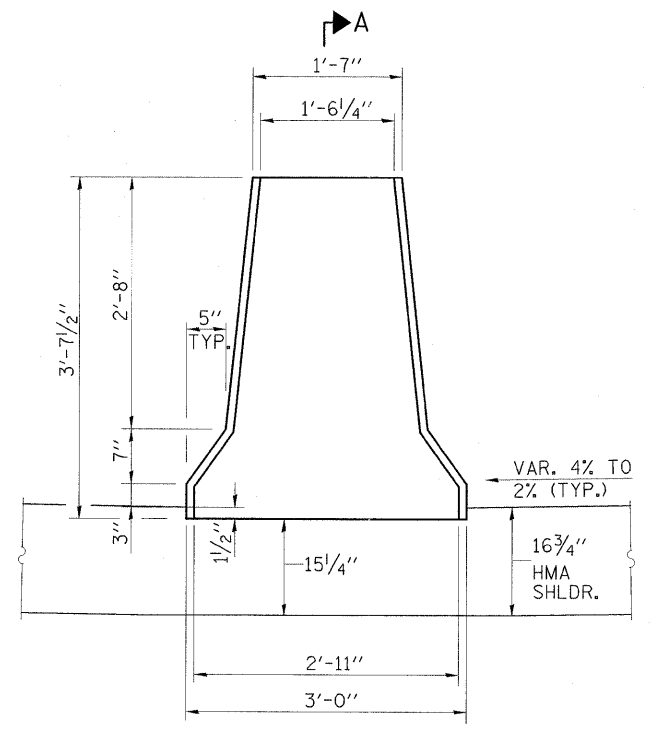


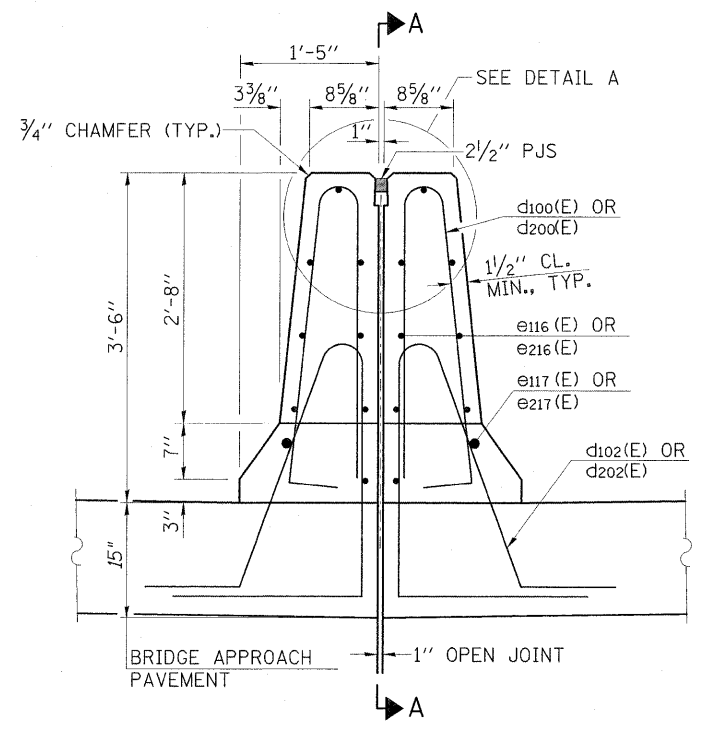
SECTION A-A THRU CENTERLINE OF CONCRETE MEDIAN BARRIER
 *THE COST OF THIS 10' TRANSITION CONCRETE MEDIAN BARRIER (TWO LOCATIONS) SHALL BE INCLUDED IN THE OVERALL LENGTH MEASURED FOR CONCRETE BARRIER, DOUBLE FACE, 42 INCH HEIGHT, SEE SECTION 637 OF THE STANDARD SPECIFICATIONS FOR ADDITIONAL REQUIREMENTS.



DETAIL A



SECTION B-B



SECTION C-C
 SEE STRUCTURE PLANS FOR BAR DETAILS AND QUANTITIES.

| | | | | | | | | | | | | |
|---|-----------------------|-----------------|-----------|---|--|--------------------------|---------|-----------------------------------|--------------------|---------------------------|--------------|-----------|
| FILE NAME = ... \D978182-shr-DET004-BARR.TRN_APPRVT.dgn | USER NAME = Rob Heady | DESIGNED - | REVISED - | STATE OF ILLINOIS DEPARTMENT OF TRANSPORTATION | DETAIL - 30' CONC. MEDIAN BARRIER ON BRIDGE APPROACH PVMT. I-57 AND IL ROUTE 13 | | | F.A. RTE. | SECTION | COUNTY | TOTAL SHEETS | SHEET NO. |
| PLOT SCALE = 1:10000 / 1" IN. | | DRAWN - | REVISED - | | SCALE: NTS | SHEET NO. OF SHEETS STA. | TO STA. | * (X1-6-2)HBK-2, HB-1,2; (IX-DR-1 | WILLIAMSON | 968 | 730 | |
| PLOT DATE = 10/11/2011 | | CHECKED - | REVISED - | | | | | * F.A.I. 57 AND F.A.P. 331 | CONTRACT NO. 78182 | ILLINOIS FED. AID PROJECT | | |
| | | DATE = 10/07/11 | REVISED - | | | | | | | | | |