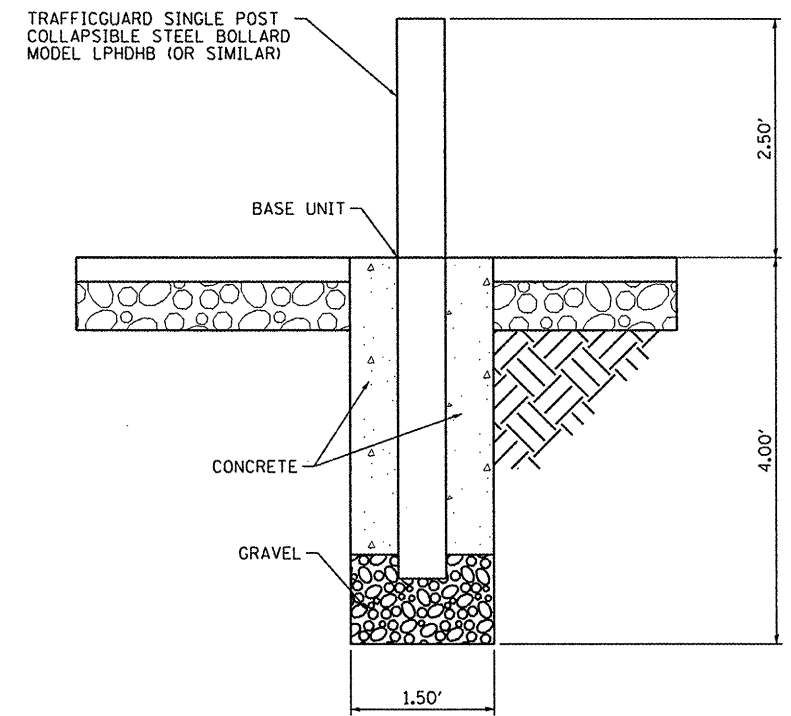
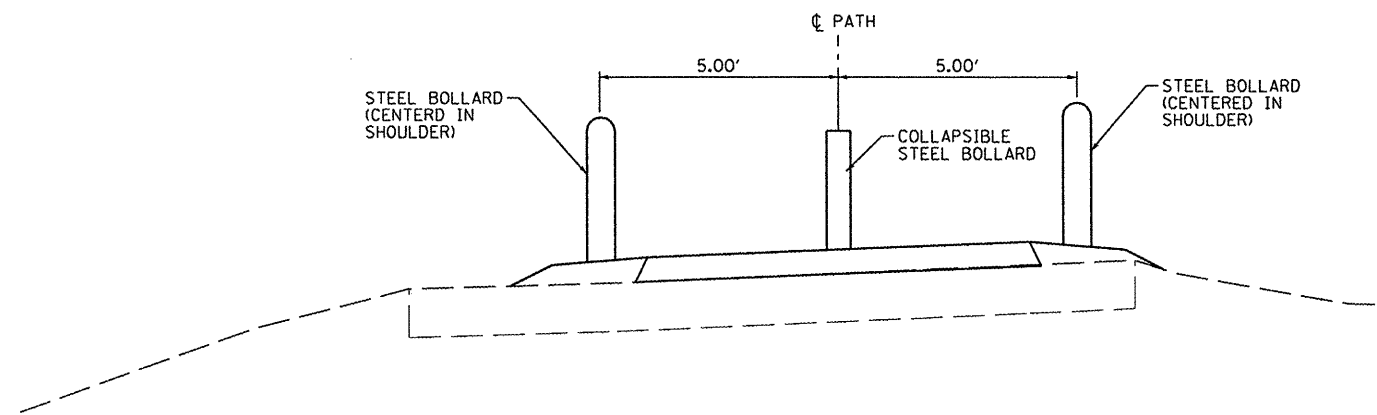


STEEL BOLLARD DETAIL



NOTE:  
 COLLAPSIBLE STEEL BOLLARD MUST BE INSTALLED SO  
 ENTIRE LENGTH RESTS ON PAVEMENT WHEN COLLAPSED.  
 SEE MANUFACTURER'S INSTRUCTIONS FOR INSTALLATION  
 OF COLLAPSIBLE STEEL BOLLARD.

COLLAPSIBLE STEEL BOLLARD DETAIL



BOLLARD PLACEMENT DETAIL

FILE NAME =	USER NAME = jdspller	DESIGNED - JDS	REVISED -	<b>STATE OF ILLINOIS DEPARTMENT OF TRANSPORTATION</b>	<b>CITY OF FARMINGTON SRTS VEHICLE CONTROL BOLLARD DETAIL</b>	SECTION	COUNTY	TOTAL SHEETS	SHEET NO.
ss\247\24710001 Farmington SRTS\CADD\CADD Sheets\0489569-sht-details.dgn	DRAWN - WLL	REVISED -	08-00032-00-SW			FULTON	16	9	
PLOT SCALE = 2.0000' / IN.	CHECKED - GBM	REVISED -	CONTRACT NO. 89569						
PLOT DATE = 10/25/2011	DATE -	REVISED -	ILLINOIS FED. AID PROJECT						
				SCALE:	SHEET NO. OF SHEETS STA.	TO STA.			