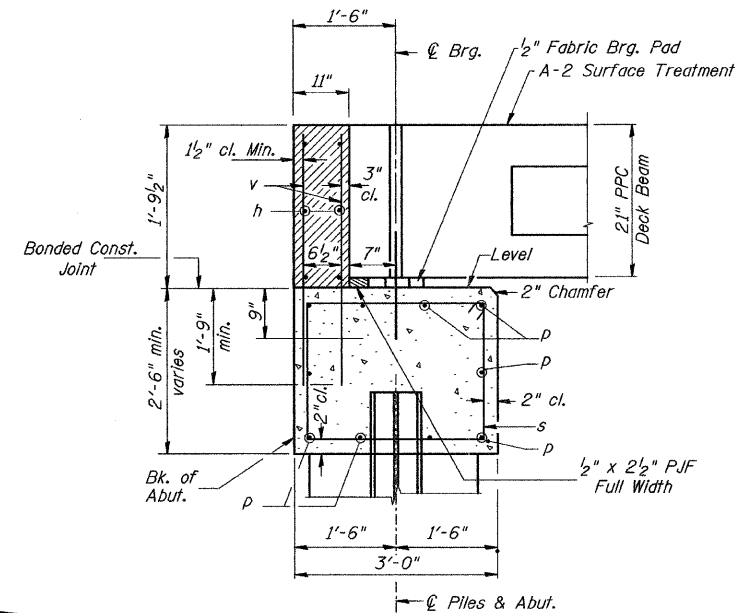
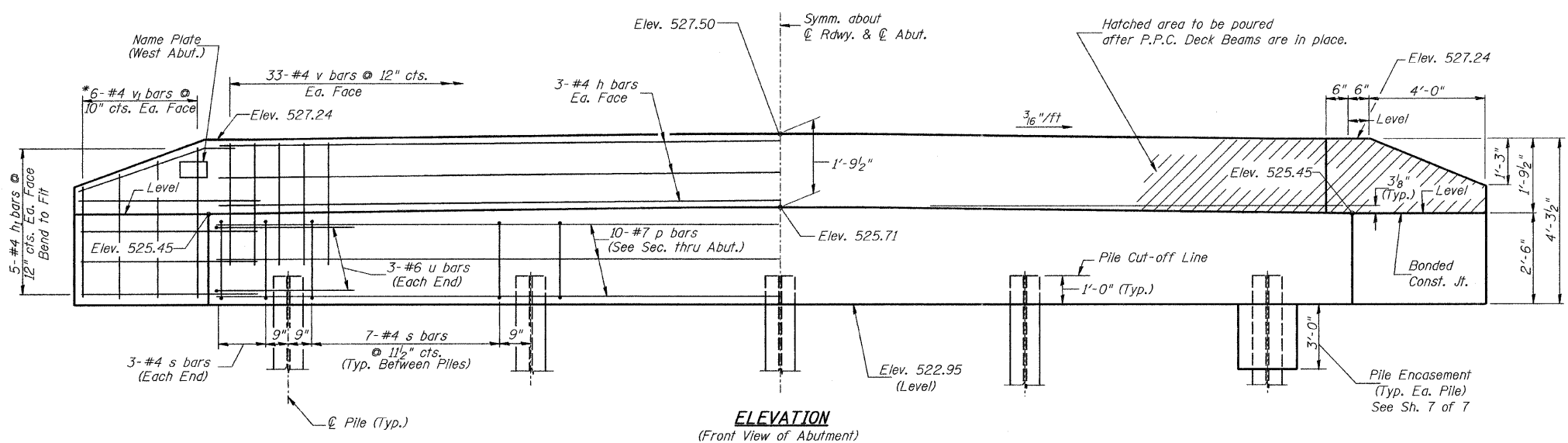
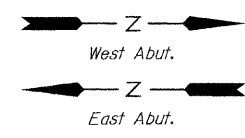


PLAN



SECTION THRU ABUTMENT



ELEVATION  
(Front View of Abutment)

TWO ABUTMENTS  
BILL OF MATERIAL

BAR	NO.	SIZE	LENGTH	SHAPE
h	12	#4	32'-9"	—
h1	40	#4	6'-6"	—
p	20	#7	32'-9"	—
s	68	#4	10'-5"	□
u	12	#6	11'-7"	□
v	132	#4	3'-6"	—
v1	24	#4	6'-9"	—
Concrete Structures		CU YD	25.8	
Reinforcement Bars		POUND	2,870	
Structure Excavation		CU YD	70	
Name Plates		EACH	1	
① Furnishing Steel Piles HP10x42		FOOT	196	
① Driving Piles		FOOT	196	
① Test Pile Steel HP10x42		EACH	2	
Concrete Encasement		CU YD	3.5	

① See Special Provisions

DESIGN STRESSES

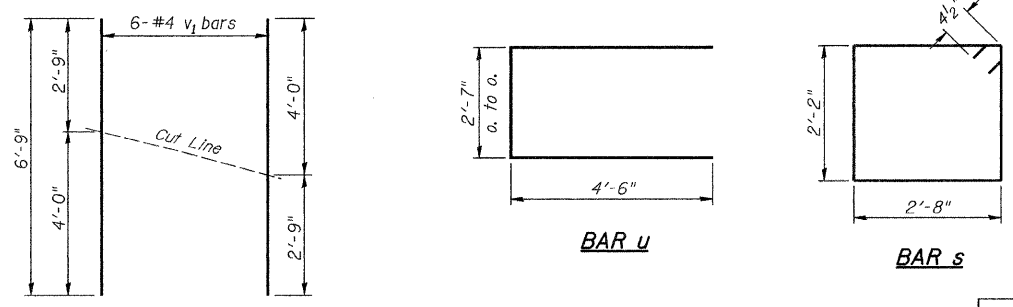
$f'_c = 3,500$  p.s.i.  
 $f_y = 60,000$  p.s.i.

PILE DATA

Type & Size: Steel HP10x42  
Nominal Required Bearing: 335 kips  
Factored Resistance Available: 184 kips  
Est. Length: 27' West Abutment  
22' East Abutment  
No. Req'd.: 10 (Includes 1 Test Pile at Each Abut.)

NOTES

- The Backwall and the portion of the Wingwalls above the bonded construction joint shall be cast against the in-place beam.
- Reinforcement bars shall conform to ASTM A706 Grade 60.



BAR CUTTING DIAGRAM  
\*Order v1 bars full length. Cut as shown and use remainder of bars in opposite face.

ABUTMENTS  
PIKE COUNTY  
SECTION 09-00083-00-BR  
C.H. 13 OVER BREWSTER CREEK

SHEET NO. 6 7 SHEETS	ROUTE NO.	SECTION	COUNTY	TOTAL SHEETS	SHEET NO.
	CH 13	09-00083-00-BR	PIKE	26	12
S.N. 075-3317			CONTRACT NO. 93550		
FED. ROAD DIST. NO. 7 ILLINOIS		FED. AID PROJECT BRS-0597(103)			