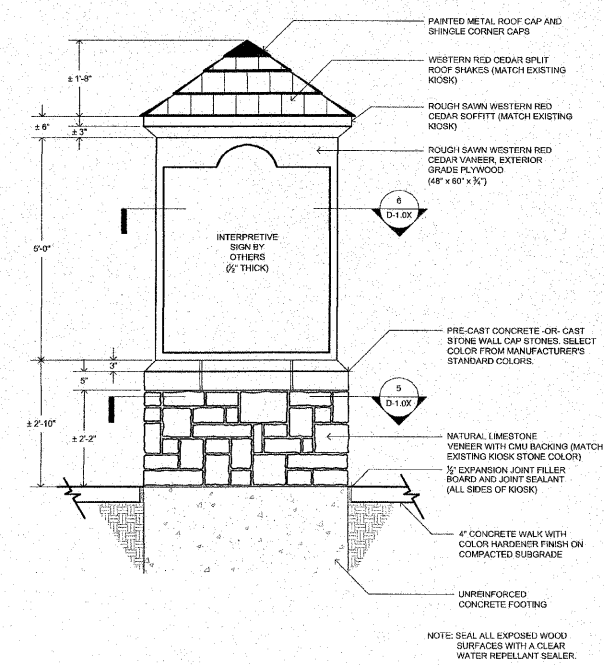
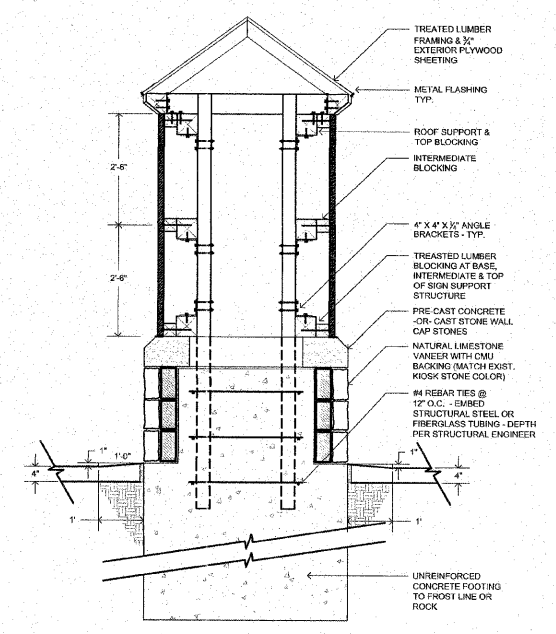


SECTION	COUNTY	TOTAL SHEETS	SHEET NO.
08-00021-00-PK	MADISON	12	6
CONTRACT NO. 97473			

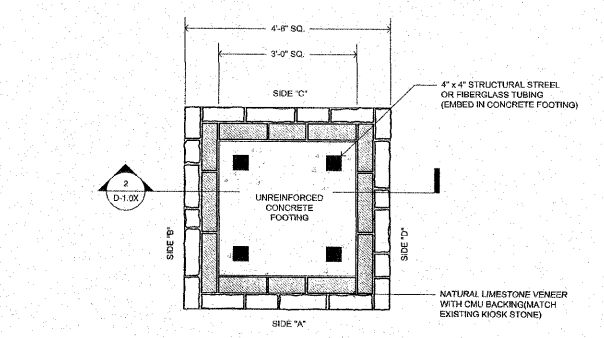
REVISIONS



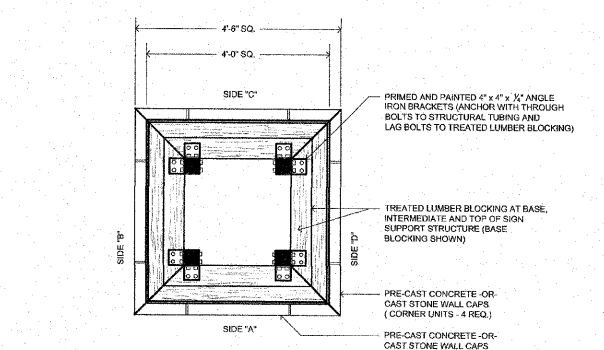
**1**  
L1  
ELEVATION  
KIOSK - SIDES A AND C  
(SIDE A SHOWN - SIDE C OPPOSITE)  
02b-001



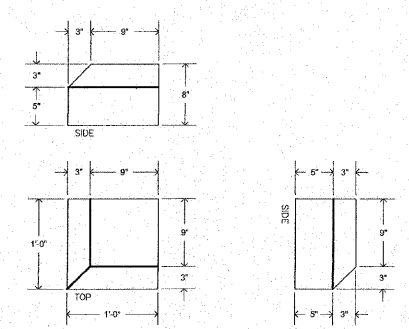
**2**  
L1  
SECTION  
KIOSK FOOTING  
02b-007



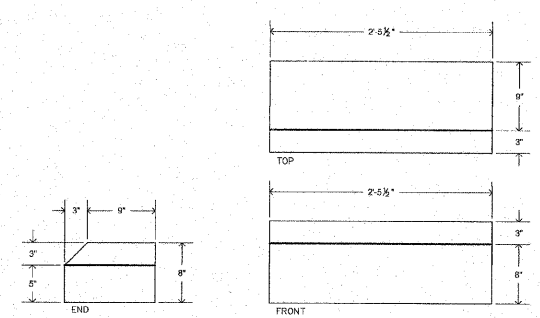
**5**  
L1  
SECTION  
SECTION @ KIOSK BASE  
02b-004



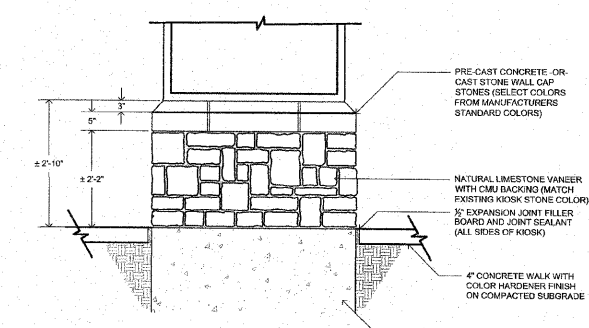
**6**  
L1  
SECTION  
SECTION @ KIOSK BASE  
02b-005



**3**  
L1  
SECTION  
PRE-CAST CONCRETE -OR- CAST STONE WALL  
CAP STONE - CORNER UNITS (4 REQD.)  
02b-002



**4**  
L1  
SECTION  
PRE-CAST CONCRETE -OR- CAST STONE WALL  
CAP STONE - INTERMEDIATE UNITS (4 REQD.)  
02b-006



**7**  
L1  
ELEVATION  
KIOSK - SIDES B AND D  
(SIDE D SHOWN - SIDE B OPPOSITE)  
02b-003

**PDS**  
PLANNING DESIGN STUDIO  
727 North First Street, Suite 360  
Saint Louis, Missouri, 63102  
Phone (314) 241-3600

IMPROVEMENT PLANS FOR HOFFMAN GARDENS  
VILLAGE OF GODFREY, ILLINOIS  
KIOSK DETAILS

DWG. NO.	HOFFMAN KIOSK DETAILS.DWG
REF. BK.	PG.
JOB NO.	437560
DSN. BY:	SJW/DDT
DWN. BY:	BCS
CHK. BY:	SJW
DATE:	MAY, 2011
SCALE:	1"=2'
SHEET	L1 OF 12

S:\land\proj\08\GODFREY P&F (437560)\HOFFMAN GARDENS\dwg\HOFFMAN KIOSK DETAILS.dwg, 07/20/11, 10:59:22 AM, bspeters, 1,2