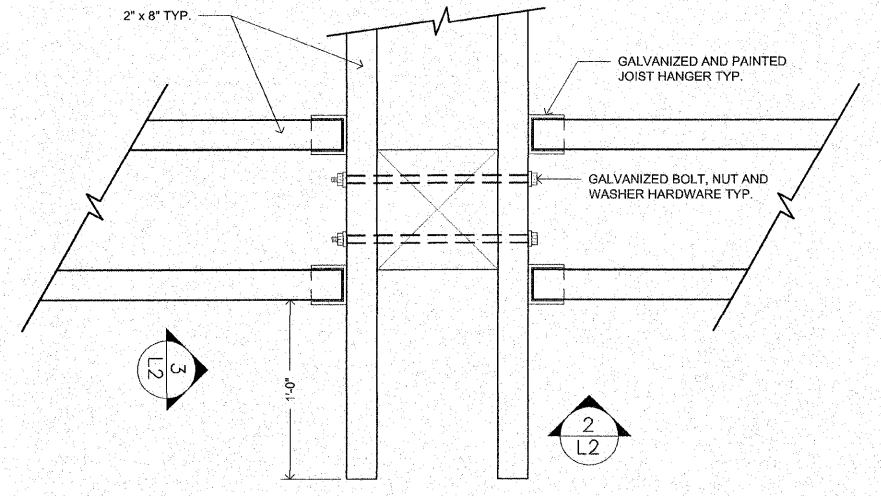
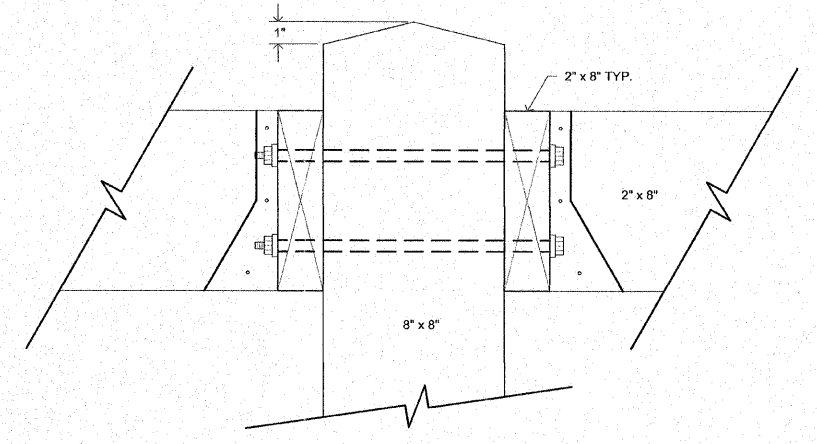


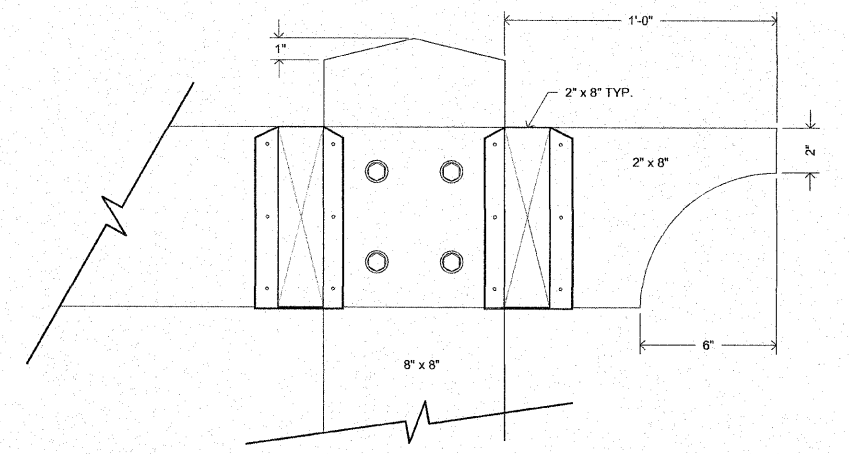
SECTION	COUNTY	TOTAL SHEETS	SHEET NO.
08-00021-00-PK	MADISON	12	8
CONTRACT NO. 97473			



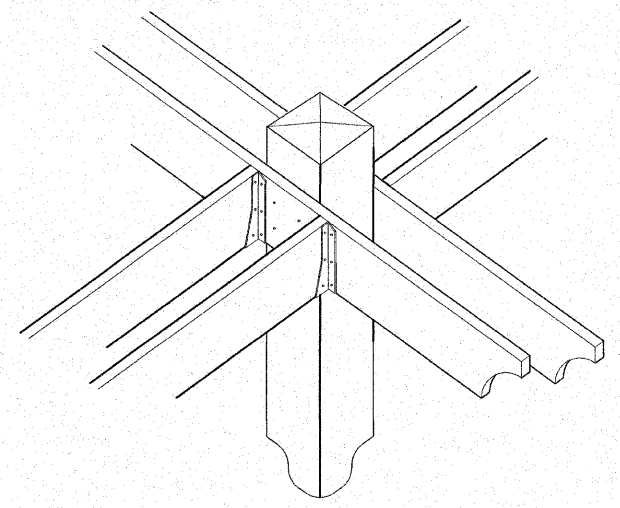
1
L3
INTERMEDIATE POST AND BEAM CONNECTION DETAILS (TOP)
PLAN
02F-003
NTS



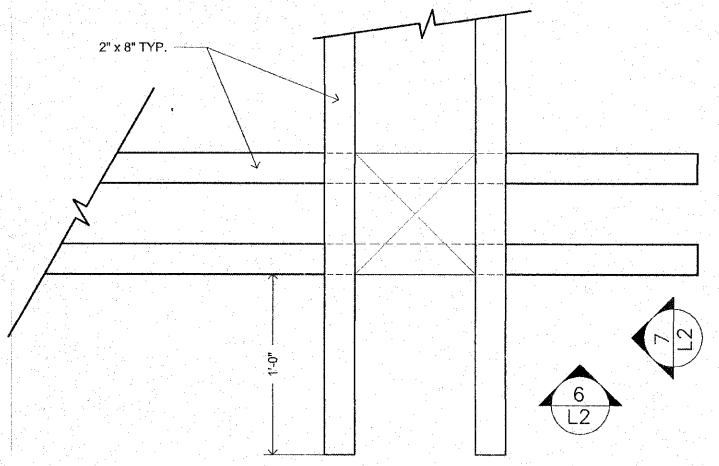
2
L3
INTERMEDIATE POST AND BEAM CONNECTION DETAILS (FRONT)
ELEVATION / SECTION
02F-002
NTS



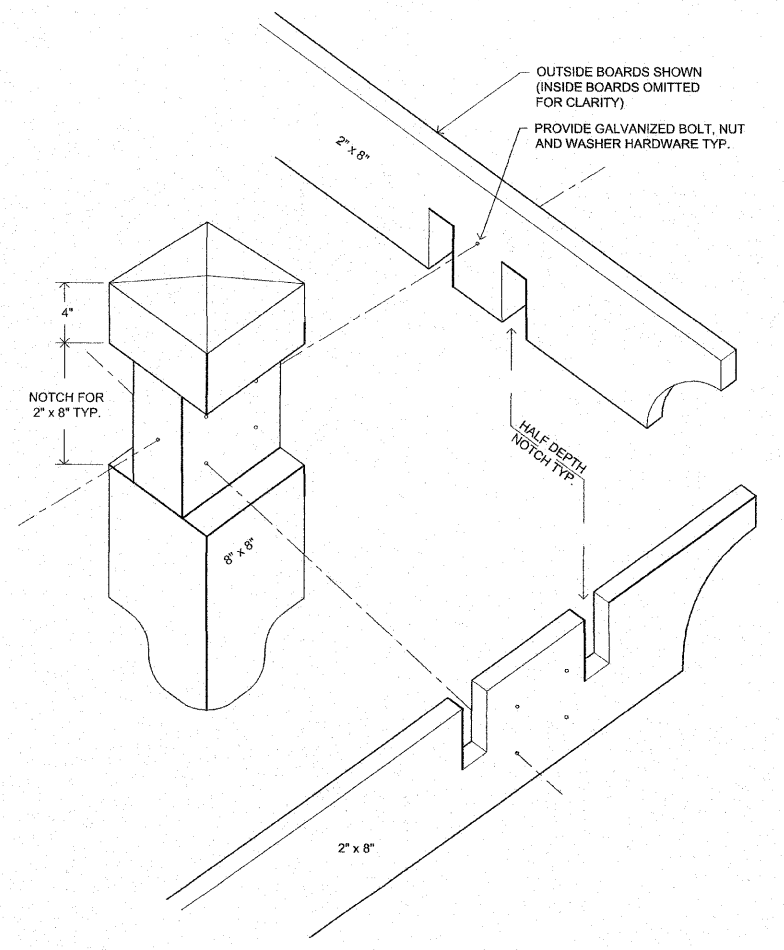
3
L3
INTERMEDIATE POST AND BEAM CONNECTION DETAILS (SIDE)
ELEVATION / SECTION
02F-001
NTS



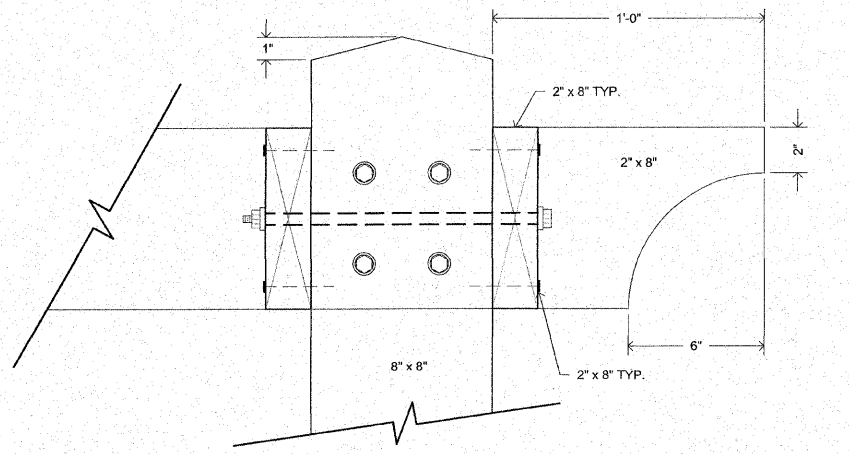
4
L3
CONNECTION DETAIL AT INTERMEDIATE POST AND BEAM
ISOMETRIC
02F-007
NTS



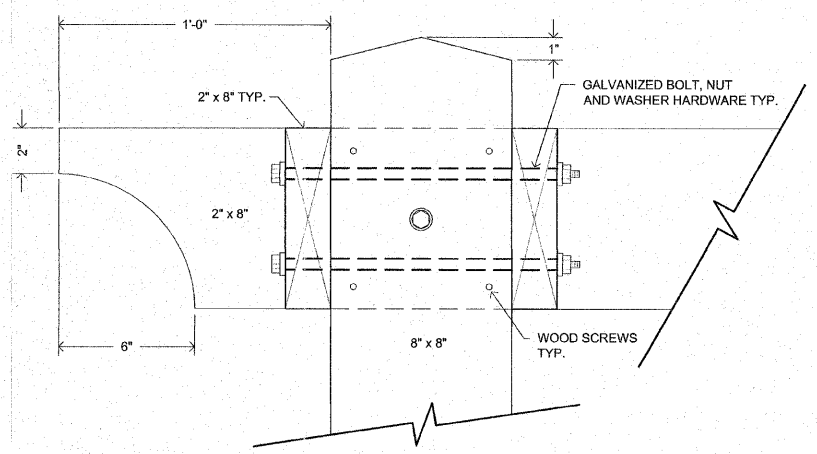
5
L3
END POST AND BEAM CONNECTION DETAILS (TOP)
PLAN
07F-004
NTS



8
L3
NOTCHING DETAIL AT CORNER POST AND BEAMS - TYP.
ISOMETRIC
02F-008
NTS



6
L3
END POST AND BEAM CONNECTION DETAILS (FRONT)
ELEVATION / SECTION
02F-005
NTS



7
L3
END POST AND BEAM CONNECTION DETAILS (SIDE)
ELEVATION / SECTION
02F-006
NTS

REVISIONS

PDS
PLANNING DESIGN STUDIO
727 North First Street, Suite 860
Saint Louis, Missouri, 63102
Phone (314) 241-8600

IMPROVEMENT PLANS FOR HOFFMAN GARDENS
VILLAGE OF GODFREY, ILLINOIS
PERGOLA DETAILS "A"

DWG. NO.	HOFFMAN PERGOLA DETAILS.DWG
REF. BK.	PG.
JOB NO.	437560
DSN. BY:	SJW/DDT
DWN. BY:	BCS
CHK. BY:	SJW
DATE:	MAY, 2011
SCALE:	N.T.S.
SHEET	L3 OF 12

S:\land projects\GODFREY PAR 437560\HOFFMAN GARDENS\Hoffman Pergola Details.dwg, 5/7/2011 10:27:01 AM, lapastra, 11