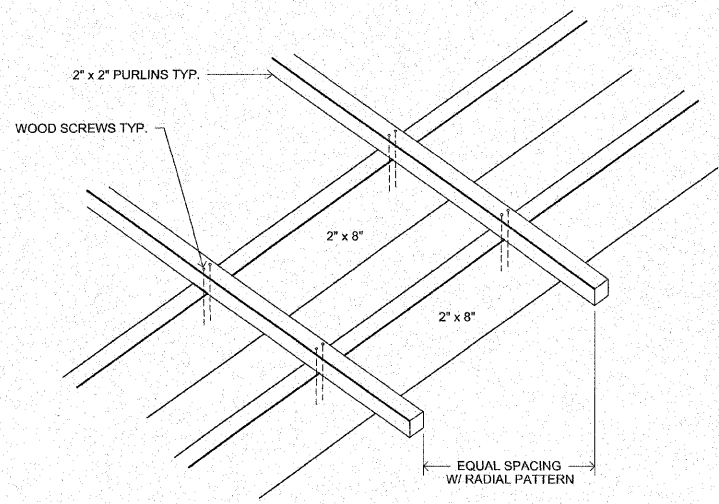
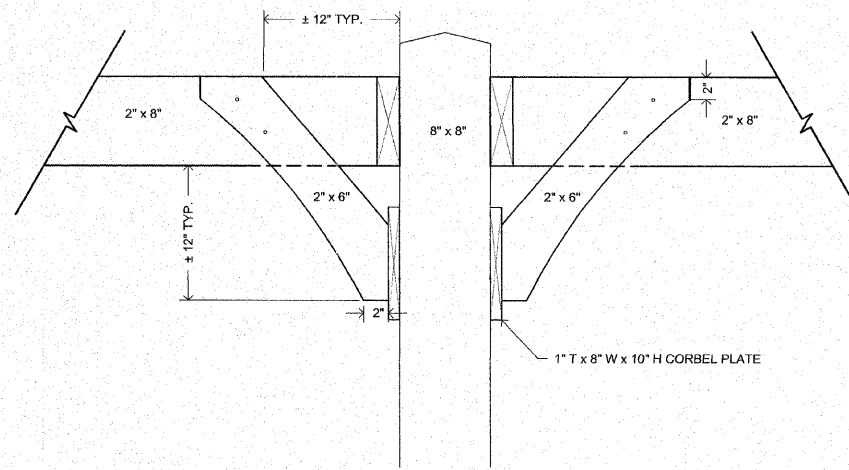


SECTION	COUNTY	TOTAL SHEETS	SHEET NO.
08-00021-00-PK	MADISON	12	9
CONTRACT NO. 97473			



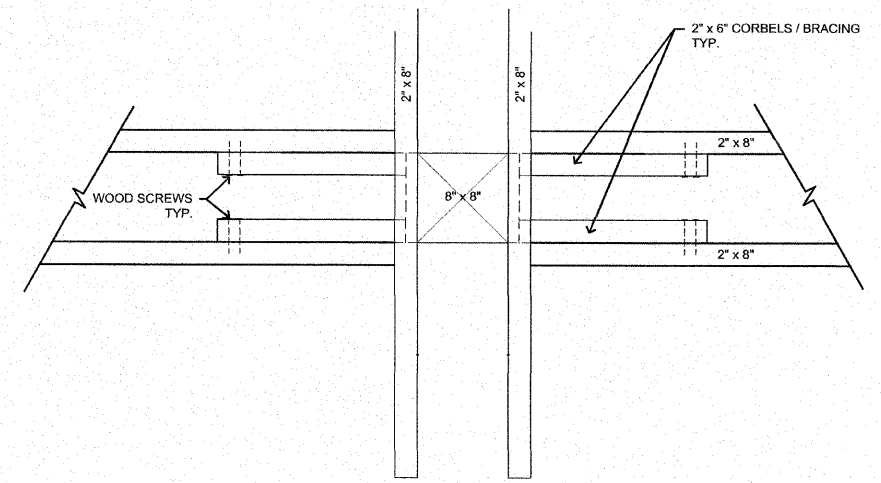
1
L4
PURLIN ATTACHMENT
ISOMETRIC

02F-011
NTS



2
L4
INTERMEDIATE POST CORBELS (BRACING)
ELEVATION - CORNER POST SIMILAR

02F-012
NTS



3
L4
INTERMEDIATE POST CORBELS (BRACING)
PLAN - CORNER POST SIMILAR

02F-013
NTS

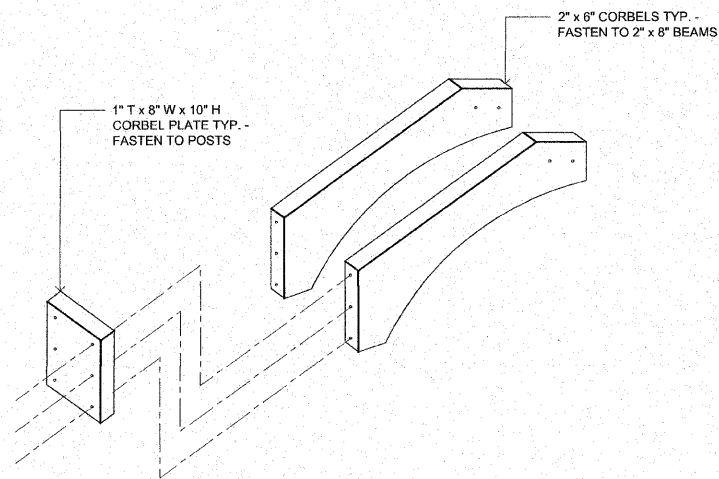
REVISIONS

PDS
PLANNING DESIGN STUDIO
727 North First Street, Suite 300
Saint Louis, Missouri, 63102
Phone (314) 241-3600

**IMPROVEMENT PLANS FOR HOFFMAN GARDENS
VILLAGE OF GODFREY, ILLINOIS
PERGOLA DETAILS "B"**

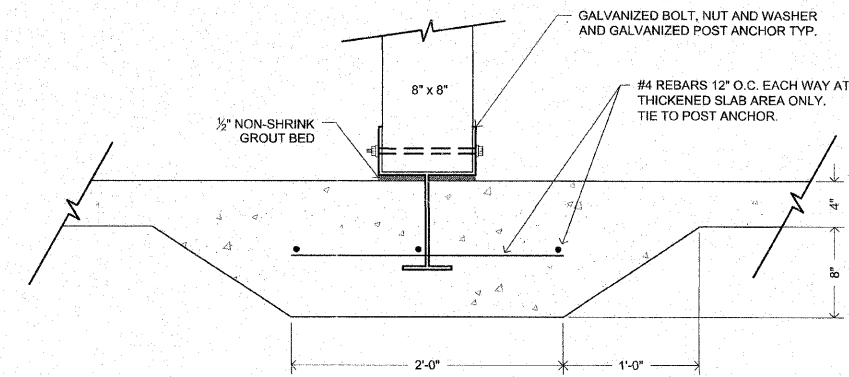
DWG. NO.	HOFFMAN PERGOLA DETAILS.DWG
REF. BK.	PG.
JOB NO.	437560
DSN. BY:	SJW/DDT
DWN. BY:	BOS
CHK. BY:	SJW
DATE:	MAY, 2011

SCALE: N.T.S.
SHEET L4 OF 12



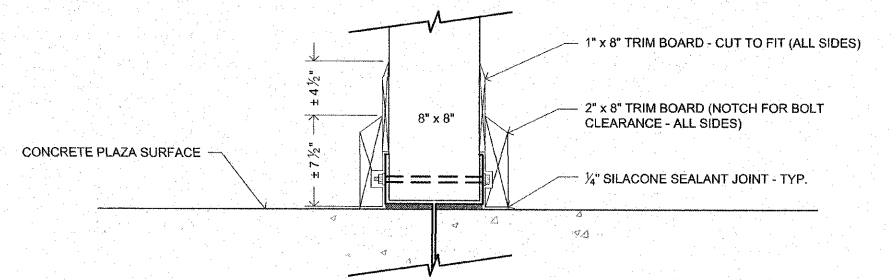
4
L4
CORBEL BRACING
ISOMETRIC

02F-014
NTS



5
L4
POST ANCHOR DETAIL - TYP.
ELEVATION / SECTION

02F-009
NTS



6
L4
POST BASE TRIM DETAIL - TYP.
ELEVATION / SECTION

02F-010
NTS