

IMPROVEMENT PLANS FOR HOFFMAN GARDENS VILLAGE OF GODFREY, ILLINOIS MADISON COUNTY SECTION 08-00021-00-PK PROJECT NO. SBIL-IL07(022) JOB NO. C-98-348-08

DATE: 8/20/08 12:00

INDEX TO SHEETS

COVER SHEET

CIVIL

C1. SUMMARY OF QUANTITIES / SITE DETAILS / GENERAL NOTES

C2. SMS LEGEND PLAN

C3. EXISTING SITE PLAN

C4. PROPOSED SITE PLAN

LANDSCAPING

L1. KIOSK DETAILS

L2. PERGOLA PLAN

L3. PERGOLA DETAILS "A"

L4. PERGOLA DETAILS "B"

L5. PLANTING PLANS

L6. PLANTING DETAILS "A"

L7. PLANTING DETAILS "B"

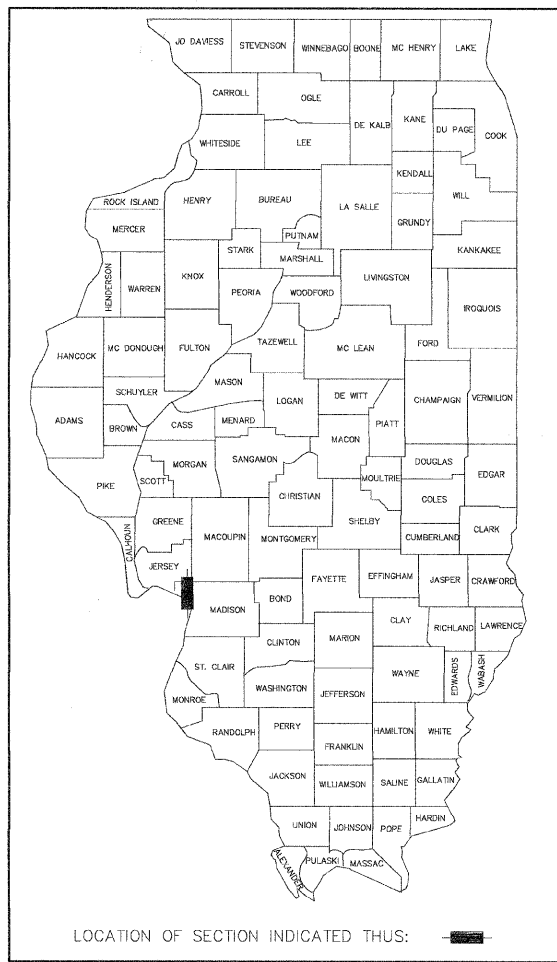
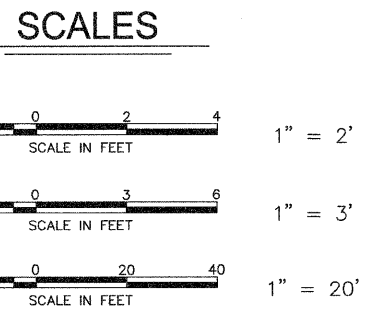


PROJECT LOCATION

LOCATION MAP
NOT TO SCALE

I.D.O.T. HIGHWAY STANDARDS

424001-05
442201-03
606001-04
701006-03
701901-01
720001-01
729001-01
780001-02



SMS ENGINEERS Sheppard, Morgan & Schwaab, Inc.
CONSULTING ENGINEERS AND LAND SURVEYORS
215 Market Street, P.O. Box E, Alton, IL 62002 618/462-9755 E-mail: mail@smsengineers.com
10 Central Industrial Drive, Granite City, IL 62040 618/877-8700 E-mail: mail@smsengineers.com
DESIGN FIRM # 184-000992

PDS
PLANNING DESIGN STUDIO
727 North First Street, Suite 360
Saint Louis, Missouri, 63102
Phone (314) 241-3600

SCOTT J. WEINER
062-054087
REGISTERED PROFESSIONAL ENGINEER
STATE OF ILLINOIS

JOSEPH ANTHONY HAMILTON
081-006437
LICENSED STRUCTURAL ENGINEER
OF STATE OF ILLINOIS

DATE: 5-20-11
EXP. DATE: 11-30-2011
DESIGN FIRM REGISTRATION NO. 184-000992

Dated: 7-28-2011
Exp: 11-30-2011

STATE OF ILLINOIS
DEPARTMENT OF TRANSPORTATION

APPROVED 5-20-11 2011
M. J. McQuinn
VILLAGE PRESIDENT, GODFREY

PASSED 10-03-2011
J. P. ...
DISTRICT 8 LOCAL ROADS AND STREETS ENGINEER

RELEASING FOR BID BASED ON LIMITED REVIEW 10-03-2011
Onur Daman
DEPUTY DIRECTOR OF HIGHWAYS, REGION 5 ENGINEER

FULL SIZE PLANS HAVE BEEN PREPARED USING STANDARD ENGINEERING SCALES. REDUCED SIZED PLANS MAY NOT CONFORM TO STANDARD SCALES. IN MAKING MEASUREMENTS ON REDUCED PLANS THE ABOVE SCALES MAY BE USED.

GENERAL NOTES

1. ILLINOIS STATE LAW REQUIRES A 48-HOUR NOTICE BE GIVEN TO UTILITIES BEFORE DIGGING. FIELD MARKING OF FACILITIES MAY BE OBTAINED BY CONTACTING J.U.L.I.E. (800-892-0123) OR FOR NON-MEMBERS, THE UTILITY COMPANY DIRECTLY. AGENCIES KNOWN TO HAVE FACILITIES WITHIN THE PROJECT INCLUDE:

A. CABLE TELEVISION -
CHARTER COMMUNICATIONS
4767 SIGNATURE INDUSTRIAL DRIVE, EDWARDSVILLE, ILLINOIS 62025
(618) 307-5730

B. GAS & ELECTRIC -
AMEREN U.E. COMPANY,
700 OAKWOOD AVENUE, ALTON, ILLINOIS 62002
(618) 463-4043 (GAS),
(618) 463-4051 (ELECTRIC)

C. STORM -
VILLAGE OF GODFREY PUBLIC WORKS
P.O. BOX 5067
GODFREY, ILLINOIS 62035
(618) 466-3334

D. TELECOMMUNICATIONS -
AT&T
203 GOETHE, COLLINSVILLE, ILLINOIS 62234
(618) 346-6400

E. WATER -
ILLINOIS AMERICAN WATER COMPANY
4436 INDUSTRIAL DRIVE, ALTON, ILLINOIS 62002
(618) 466-9429

2. FOR UTILITY LOCATING PURPOSES, THIS PROJECT IS LOCATED IN THE SECTION 4, TOWNSHIP 5 NORTH, RANGE 10 WEST OF THE THIRD PRINCIPAL MERIDIAN.

3. EXCEPT WHERE DESIGNATED OTHERWISE, THE LOCATIONS AND/OR DEPTHS OF UNDERGROUND UTILITIES HAVE COME FROM RECORD INFORMATION PROVIDED TO SMS BY OWNER AND UTILITY COMPANIES AND MUST BE CONSIDERED APPROXIMATE AND NOT ENTIRELY COMPLETE.

4. THE CONTRACTOR SHALL USE ALL DUE PRECAUTION NOT TO DAMAGE OR DISTURB ANY UNDERGROUND UTILITIES. THE ENTIRE COST OF MAKING REPAIRS TO, OR REPLACEMENT OF, ANY DAMAGED LINE WILL BE THE FULL RESPONSIBILITY OF THE CONTRACTOR IN ACCORDANCE WITH ARTICLE 105.07 OF THE LATEST EDITION OF THE I.D.O.T. "STANDARD SPECIFICATIONS FOR ROAD AND BRIDGE CONSTRUCTION".

5. ALL REMOVAL WORK SHALL BE DONE ACCORDING TO THE LATEST EDITION OF THE I.D.O.T. "STANDARD SPECIFICATIONS FOR ROAD AND BRIDGE CONSTRUCTION".

6. REMOVAL EXCAVATIONS WITHIN 2 FEET OF THE LIMITS OF THE PAVEMENT, SIDEWALK, CURB, ETC. SHALL BE BACKFILLED WITH CRUSHED STONE AGGREGATE (DOT GRADATION CA-6) COMPACTED TO 95% OF THE STANDARD PROCTOR OF THE MATERIAL.

7. ALL SURPLUS MATERIALS RESULTING FOR SITE GRADING, CONSTRUCTION OPERATIONS, REMOVAL ITEMS, ETC. SHALL BE REMOVED FROM THE SITE BY THE CONTRACTOR AND DISPOSED OF BY AND AT THE EXPENSE OF THE CONTRACTOR ACCORDING TO ARTICLE 202.03 OF THE IDOT STANDARD SPECIFICATIONS.

8. ALL PAVING, BASE COURSE, SUBGRADE, AND CONCRETE CURB CONSTRUCTION SHALL BE PERFORMED IN ACCORDANCE WITH THE LATEST EDITION OF THE I.D.O.T. "STANDARD SPECIFICATIONS FOR ROAD AND BRIDGE CONSTRUCTION".

9. ALL SIDEWALK CONSTRUCTION SHALL BE PERFORMED IN ACCORDANCE WITH SECTION 424 OF THE I.D.O.T. STANDARD SPECIFICATIONS. ALL ACCESSIBLE RAMPS SHALL BE CONSTRUCTED IN ACCORDANCE WITH IDOT HIGHWAY STANDARD 424001 AND THE ILLINOIS CAPITAL DEVELOPMENT BOARD "ILLINOIS ACCESSIBILITY CODE".

10. PAINT PAVEMENT MARKINGS SHALL BE CONSTRUCTED IN ACCORDANCE WITH SECTION 780 OF THE I.D.O.T. STANDARD SPECIFICATIONS, HIGHWAY STANDARD 780001 AND THE MANUAL ON UNIFORM TRAFFIC CONTROL DEVICES (MUTCD).

11. ALL LETTERS AND SYMBOLS SHALL BE "LARGE" AS DESIGNATED ON HIGHWAY STANDARD 780001.

12. EXISTING STRIPING, PAVEMENT MARKINGS, ETC. IN AREAS WHERE THE PAVEMENT SURFACE IS TO REMAIN SHALL BE REMOVED OR HIDDEN IN A MANNER THAT DOES NOT IMPAIR THE EXISTING SURFACE PRIOR TO APPLICATION OF NEW MARKINGS.

13. ALL EROSION CONTROL WORK SHALL BE PERFORMED ACCORDING TO SECTION 280 OF THE IDOT STANDARD SPECIFICATIONS, IDOT HIGHWAY STANDARD 280001.

14. THE CONTRACTOR SHALL PROVIDE MEASURES TO PREVENT SEDIMENT FROM BEING TRACKED ONTO PUBLIC OR PRIVATE ROADWAYS. ANY SEDIMENT REACHING A PUBLIC OR PRIVATE ROAD SHALL BE REMOVED BEFORE THE END OF EACH WORKDAY AND TRANSPORTED TO A CONTROLLED SEDIMENT DISPOSAL AREA.

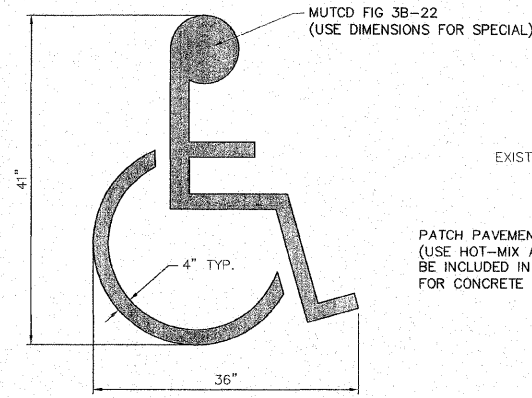
15. AT LOCATIONS WHERE THE GROUND HAS BEEN DISTURBED AND NOT OTHER SURFACE RESTORATION IS INDICATED, THE CONTRACTOR SHALL RESTORE THE AREA BY CLASS 1B SEEDING AND MULCH, METHOD 2. ALL PERMANENT SEEDING SHALL BE PERFORMED IN ACCORDANCE WITH SECTION 250 OF THE IDOT STANDARD SPECIFICATIONS, EXCEPT THAT THE USE OF EMULSIFIED ASPHALT FOR STABILIZATION WILL NOT BE ALLOWED. THE CONTRACTOR SHALL MAINTAIN THE SEEDED AREAS UNTIL ADEQUATE GRASS COVER IS ACHIEVED. ALL WASH-OUTS SHALL BE FILLED AND RESEDED.

SUMMARY OF QUANTITIES

CONSTRUCTION TYPE CODE 0031

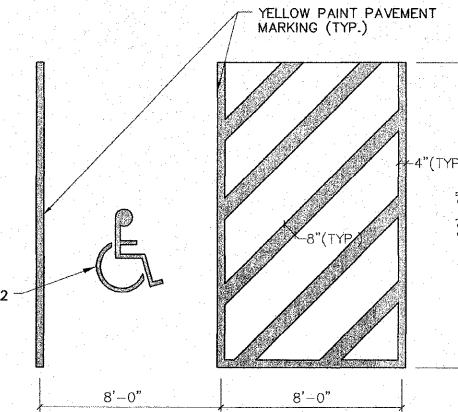
PAY ITEM #	DESCRIPTION	UNIT	QUANTITY
21101505	TOPSOIL EXCAVATION AND PLACEMENT	CU YD	175
21101605	TOPSOIL FURNISH AND PLACE, 2"	SQ YD	3630
21400100	GRADING AND SHAPING DITCHES	FOOT	750
* 25000115	SEEDING, CLASS 1B	ACRE	0.75
* 25000400	NITROGEN FERTILIZER NUTRIENT	POUND	68
* 25000500	PHOSPHORUS FERTILIZER NUTRIENT	POUND	68
* 25000600	POTASSIUM FERTILIZER NUTRIENT	POUND	68
* 25000700	AGRICULTURAL GROUND LIMESTONE	TON	2
* 25100115	MULCH, METHOD 2	ACRE	1
28100105	STONE RIPRAP, CLASS A3	SQ YD	12
42400800	DETECTABLE WARNINGS	SQ FT	16
60600605	CONCRETE CURB, TYPE B	FOOT	265
60600095	CLASS SI CONCRETE (OUTLET)	CU YD	1
607100100	MOBILIZATION	L SUM	1
72000100	SIGN PANEL - TYPE 1	SQ FT	2
72900100	METAL POST - TYPE A	FOOT	11
* 78001100	PAINT PAVEMENT MARKING - LETTERS AND SYMBOLS	SQ FT	5
* 78001110	PAINT PAVEMENT MARKING - LINE 4"	FOOT	700
* 78001130	PAINT PAVEMENT MARKING - LINE 6"	FOOT	100
* 78001140	PAINT PAVEMENT MARKING - LINE 8"	FOOT	100
* X0326406	INFORMATION KIOSK COMPLETE	EACH	1
X4240420	PORTLAND CEMENT CONCRETE SIDEWALK 4 INCH, SPECIAL	SQ FT	3220
X4240500	PORTLAND CEMENT CONCRETE SIDEWALK, SPECIAL	SQ FT	900
X5030550	PROTECTIVE COAT (SPECIAL)	SQ YD	117
X7010216	TRAFFIC CONTROL AND PROTECTION, SPECIAL	L SUM	1
XX003816	FURNISHING AND INSTALLING CONCRETE WHEEL STOPS	EACH	10
* XX008202	PERGOLA	L SUM	1
* A2005616	TREE, OSTRYA VIRGINIANA (AMERICAN HOPHORNBEAM), 2" CALIPER, BALLED AND BURLAPPED	EACH	3
* B2001114	TREE, CERCIS CANADENSIS (EASTERN REDBUD), 1-3/4" CALIPER, TREE FORM, BALLED AND BURLAPPED	EACH	6
* C2C058G2	SHRUB, RHUS AROMATICA GRO-LOW (GRO-LOW FRAGRANT SUMAC), CONTAINER GROWN, 2-GALLON	EACH	97
* C2C06004	SHRUB, RHUS COPALLINA VAR. LATIFOLIA MORTON (PRAIRIE FLAME SHINING SUMAC), 3' HEIGHT, CONTAINER	EACH	6
* K0012980	PERENNIAL PLANTS, ORNAMENTAL TYPE, QUART POT	UNIT	7.14
* K0012990	PERENNIAL PLANTS, ORNAMENTAL TYPE, GALLON POT	UNIT	0.74

* SPECIALTY ITEMS



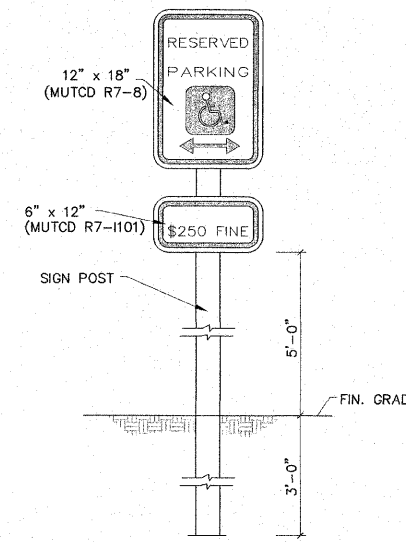
ACCESSIBLE SYMBOL PAVEMENT MARKING
(MUTCD FIGURE 3B-22)

N.T.S.



ACCESSIBLE PAVEMENT MARKING

N.T.S.

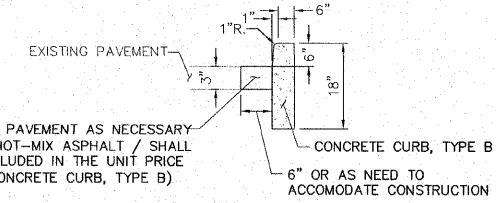


HANDICAPPED SIGNS AND POSTS TO CONFORM WITH U.S. DEPARTMENT OF TRANSPORTATION MANUAL ON UNIFORM TRAFFIC CONTROL DEVICES.

STANDARD HANDICAPPED PARKING SIGN TO BE MOUNTED WITH BOTTOM OF SIGN 5'-0" ABOVE GRADE

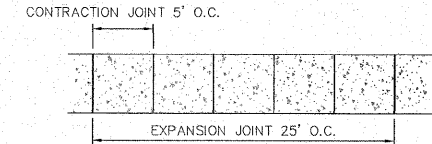
ACCESSIBLE PARKING SIGN

N.T.S.



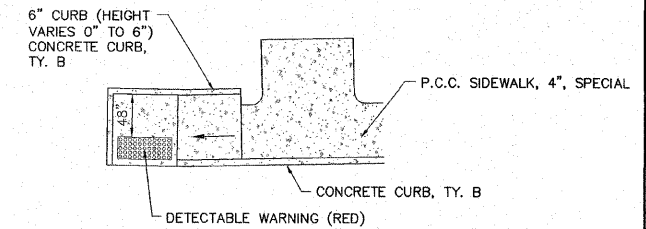
1 CONCRETE CURB TYPE B

N.T.S.



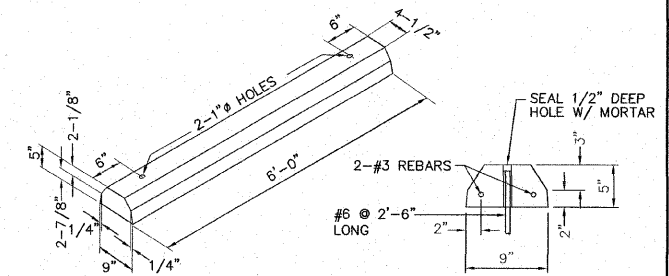
2 CONCRETE SIDEWALK JOINT DETAIL

N.T.S.



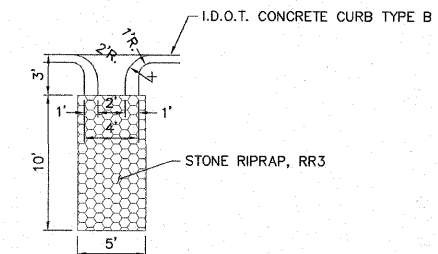
3 ACCESSIBLE CURB RAMP

N.T.S.



4 CONCRETE WHEEL STOP

N.T.S.



5 CLASS SI CONCRETE (OUTLET)

N.T.S.

REVISIONS

SMS Sheppard, Morgan & Schwab, Inc.
CONSULTING ENGINEERS AND LAND SURVEYORS
115 Market Street, 8th Floor, E. Alton, IL 62002, 618.462.8755 E-mail: mail@smsengineers.com
10 Central Industrial Drive, Suite 5, Granite City, IL 62040, 618.877.4910 E-mail: mail@smsengineers.com
DESIGN FIRM # 184-000992

IMPROVEMENT PLANS FOR HOFFMAN GARDENS
VILLAGE OF GODFREY, ILLINOIS
SUMMARY OF QUANTITIES / SITE DETAILS

DWG. NO.
HOFFMAN SITE DETAILS.DWG
REF. BK. PG.
JOB NO. 437960
DSN. BY: SJW/EDT
DWN. BY: BCS
CHK. BY: SJW
DATE: MAY, 2011
SCALE: N.T.S.
SHEET C1 OF 12

SECTION	COUNTY	TOTAL SHEETS	SHEET NO.
08-00021-00-PK	MADISON	12	3
CONTRACT NO. 97473			

LEGEND

- EXISTING GUY POLE - -O-
- EXISTING LIGHT POLE - -X-
- EXISTING POWER POLE - -O-
- EXISTING TELEPHONE POLE - -O-
- EXISTING GUY WIRE - -←-
- EXISTING TRANSMISSION TOWER - □
- EXISTING ELECTRIC SPLICE BOX - □^E
- EXISTING TELEPHONE SPLICE BOX - □^{TV}
- EXISTING CABLE SPLICE BOX - □^{TV}
- EXISTING WATER HYDRANT - ⦿
- EXISTING GAS METER - ⦿
- EXISTING WATER METER - ⦿
- EXISTING WATER VALVE - ⦿
- EXISTING GAS VALVE - ⦿
- EXISTING FIRE HYDRANT - ⦿^{FH}
- EXISTING SANITARY MANHOLE TOP - ⦿
- EXISTING STORM MANHOLE TOP - ⦿
- EXISTING TELEPHONE MANHOLE TOP - ⦿^T
- EXISTING SANITARY CLEAN OUT - ⦿
- CONTROL POINT - ⦿
- BENCHMARK - ⦿^{B.M.}
- TEST PIT / NUMBER - ⦿^{T.P.# X}
- BORING / NUMBER - ⦿^{B.# X}
- RIGHT-OF-WAY MARKER - ⦿^{MON}
- AXLE FOUND - ○^{AXLE}
- BOLT FOUND - ○^{BOLT}
- CHISELED "X" FOUND - X
- PIN FOUND - ○^{IP}
- PINCH PIPE FOUND - ○^{IP}
- PK NAIL FOUND - ○^{PK}
- RAILROAD SPIKE FOUND - ○^{RR}
- STONE FOUND - □^{STONE}
- BRASS MONUMENT FOUND - ○^{MON}
- IRON PIPE FOUND - ○^{IP}
- MONUMENT FOUND - □^{MON}
- REBAR FOUND - ○^{IP}
- EXISTING MAILBOX - ⦿
- EXISTING FENCE POST - ⦿
- EXISTING GATE POST - ⦿
- EXISTING FLAG POLE - ⦿
- EXISTING GUARD POST - ⦿^{GP}
- EXISTING ADVERTISING SIGN - ⦿
- EXISTING TRAFFIC SIGN - ⦿
- EXISTING PARKING METER - ⦿
- EXISTING RAILROAD MILE POST - ⦿^{MP}
- EXISTING RAILROAD SIGNAL CONTROLLER - ⦿
- EXISTING RAILROAD CROSSING GATE - ⦿
- EXISTING TRAFFIC SIGNAL - ⦿
- EXISTING TRAFFIC SIGNAL CONTROLLER - ⦿
- EXISTING HANDHOLE - ⦿
- EXISTING DOUBLE HANDHOLE - ⦿
- EXISTING MAST ARM BASE - ⦿
- EXISTING DECIDUOUS TREE / SIZE - ⦿^{XX"}
- EXISTING EVERGREEN TREE / SIZE - ⦿^{XX"}
- EXISTING STUMP / SIZE - ⦿^{XX"}
- EXISTING BUSH - ⦿
- EXISTING SHRUB - ⦿
- EXISTING TREE TO BE REMOVED - ⦿^{XX"}

- PROPOSED GUY POLE - -O-
- PROPOSED LIGHT POLE - -X-
- PROPOSED POWER POLE - -O-
- PROPOSED TELEPHONE POLE - -O-
- PROPOSED GUY WIRE - -←-
- PROPOSED TRANSMISSION TOWER - □
- PROPOSED ELECTRIC SPLICE BOX - □^E
- PROPOSED TELEPHONE SPLICE BOX - □^{TV}
- PROPOSED CABLE SPLICE BOX - □^{TV}
- PROPOSED WATER HYDRANT - ⦿
- PROPOSED GAS METER - ⦿
- PROPOSED WATER METER - ⦿
- PROPOSED WATER VALVE - ⦿
- PROPOSED GAS VALVE - ⦿
- PROPOSED FIRE HYDRANT - ⦿^{FH}
- PROPOSED SANITARY MANHOLE TOP - ⦿
- PROPOSED STORM MANHOLE TOP - ⦿
- PROPOSED TELEPHONE MANHOLE TOP - ⦿^T
- PROPOSED SANITARY CLEAN OUT - ⦿
- PROPOSED MAILBOX - ⦿
- PROPOSED GUARD POST - ⦿^{GP}
- PROPOSED ADVERTISING SIGN - ⦿
- PROPOSED TRAFFIC SIGN - ⦿
- PROPOSED RAILROAD MILE POST - ⦿^{MP}
- PROPOSED RAILROAD SIGNAL CONTROLLER - ⦿
- PROPOSED RAILROAD CROSSING GATE - ⦿
- PROPOSED TRAFFIC SIGNAL - ⦿
- PROPOSED TRAFFIC SIGNAL CONTROLLER - ⦿
- PROPOSED HANDHOLE - ⦿
- PROPOSED DOUBLE HANDHOLE - ⦿
- PROPOSED MAST ARM BASE - ⦿
- PROPOSED DECIDUOUS TREE / SIZE - ⦿^{XX"}
- PROPOSED EVERGREEN TREE / SIZE - ⦿^{XX"}
- PROPOSED BUSH - ⦿
- PROPOSED PLANT - ⦿
- PROPOSED EDGE OF PAVEMENT ELEVATION - + 512.00 EP
- PROPOSED PAVEMENT ELEVATION - + 505.50 P
- PROPOSED CURB ELEVATION - + 550.25 C
- PROPOSED SIDEWALK ELEVATION - + 515.15 SW
- PROPOSED FLOWLINE ELEVATION - + 501.58 FL

EXISTING CONSTRUCTION

- EXISTING BASELINE
- EXISTING BRUSH / HEDGE / TREE LINE
- EXISTING OVERHEAD CABLE TV
- EXISTING UNDERGROUND CABLE TV
- EXISTING CENTERLINE
- EXISTING MAJOR CONTOUR
- EXISTING MINOR CONTOUR
- EXISTING CULVERT
- EXISTING DITCH
- EXISTING OVERHEAD ELECTRIC
- EXISTING UNDERGROUND ELECTRIC
- EXISTING EASEMENT
- EXISTING FENCE
- EXISTING FIBER OPTIC
- EXISTING FORCEMAIN
- EXISTING GAS
- EXISTING GUARDRAIL
- EXISTING POND, LAKE, BODY OF WATER, ETC.
- EXISTING RAILROAD
- EXISTING RIGHT-OF-WAY
- EXISTING SANITARY SEWER
- EXISTING SECTION LINE
- EXISTING SETBACK
- EXISTING STORM SEWER
- EXISTING OVERHEAD TELEPHONE
- EXISTING UNDERGROUND TELEPHONE
- EXISTING WATER

PROPOSED CONSTRUCTION

- PROPOSED BASELINE
- PROPOSED GUARDRAIL
- PROPOSED OVERHEAD CABLE TV
- PROPOSED UNDERGROUND CABLE TV
- PROPOSED CENTERLINE
- PROPOSED CONSTRUCTION LIMITS
- PROPOSED MAJOR CONTOUR
- PROPOSED MINOR CONTOUR
- PROPOSED CULVERT
- PROPOSED DITCH
- PROPOSED OVERHEAD ELECTRIC
- PROPOSED UNDERGROUND ELECTRIC
- PROPOSED PERIMETER EROSION BARRIER
- PROPOSED EASEMENT
- PROPOSED FENCE
- PROPOSED FIBER OPTIC
- PROPOSED FORCEMAIN
- PROPOSED GAS
- PROPOSED POND, LAKE, BODY OF WATER, ETC.
- PROPOSED RAILROAD
- PROPOSED RIGHT-OF-WAY
- PROPOSED SANITARY SEWER
- PROPOSED SETBACK
- PROPOSED STORM SEWER
- PROPOSED TEMPORARY CONSTRUCTION EASEMENT
- PROPOSED OVERHEAD TELEPHONE
- PROPOSED UNDERGROUND TELEPHONE
- PROPOSED WATER

REVISIONS

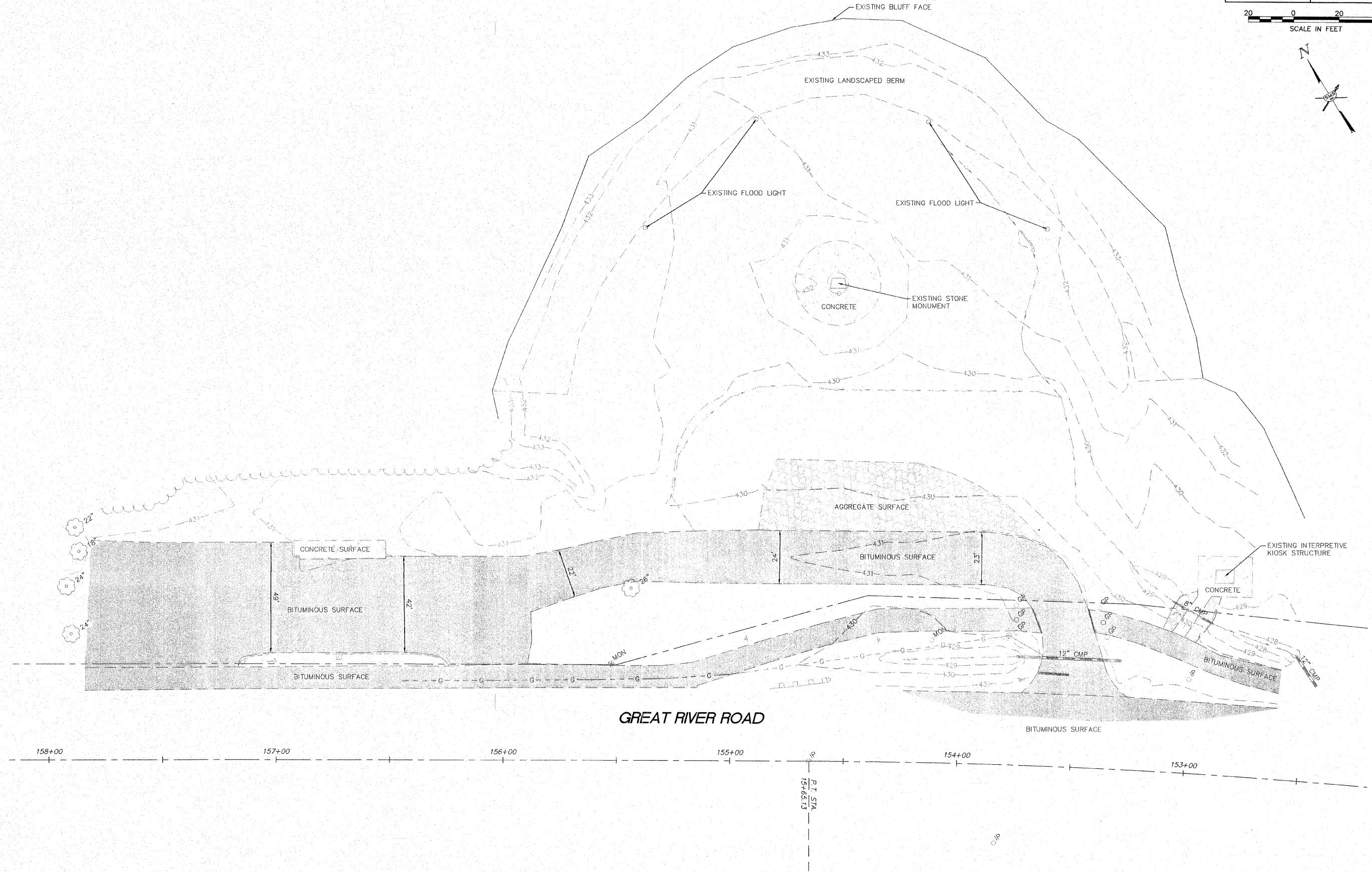
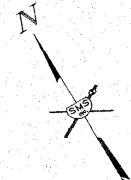
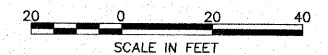
SMS ENGINEERS
 Sheppard, Morgan & Schwaab, Inc.
 CONSULTING ENGINEERS AND LAND SURVEYORS
 215 Market Street, P.O. Box E, Alton, IL 62002, 618-462-9765, E-mail: mail@smsengineers.com
 10 Central National Drive, Suite 3, Geneva, NY, U.S.A. 14456, 618-772-2670, E-mail: mail@smsengineers.com
 DESIGN FIRM # 184-000992

IMPROVEMENT PLANS FOR HOFFMAN GARDENS VILLAGE OF GODFREY, ILLINOIS
 SMS LEGEND

DWG. NO.	HOFFMAN SMS LEGEND.DWG
REF. BK.	PG.
JOB NO.	437560
DSN. BY:	SJW/DDT
DWN. BY:	BCS
CHK. BY:	SJW
DATE:	MAY, 2011
SCALE:	N.T.S.
SHEET:	C2 OF 12

S:\hard_projects\GODFREY PARK (437560)\HOFFMAN GARDENS\Hoffman SMS LEGEND.dwg, 6/7/2011 10:55:03 AM, bspeters, 1/20

SECTION	COUNTY	TOTAL SHEETS	SHEET NO.
08-00021-00-PK	MADISON	12	4
CONTRACT NO. 97473			



REVISIONS

SMS ENGINEERS
Sheppard, Morgan & Schwaab, Inc.
 CONSULTING ENGINEERS AND LAND SURVEYORS
 215 Market Street, P.O. Box E, Alton, IL 62002, 618462-2755, E-mail: mail@smsengineers.com
 10 Central Industrial Drive, Suite 3, Geneva, IL 60135, 618977-5700, E-mail: mail@smsengineers.com
 DESIGN FIRM # 184-000992

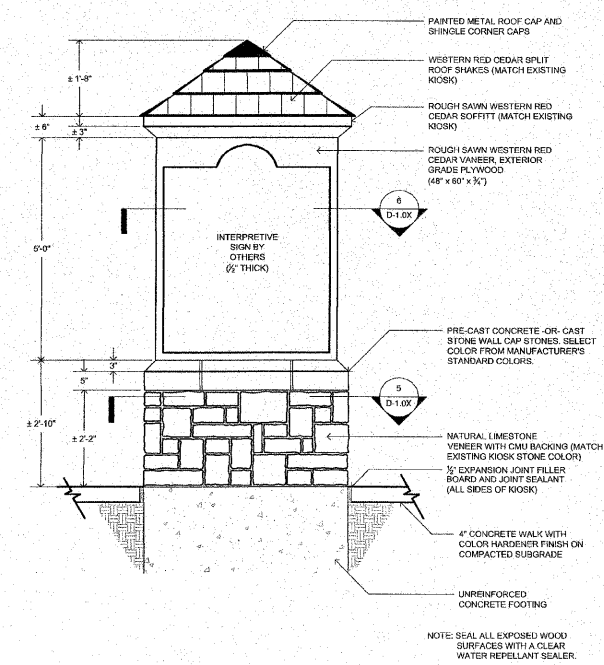
**IMPROVEMENT PLANS FOR HOFFMAN GARDENS
 VILLAGE OF GODFREY, ILLINOIS
 EXISTING SITE PLAN**

DWG. NO.	HOFFMAN EXISTING SITE.DWG
REF. BK.	PG.
JOB NO.	437560
DSN. BY:	SJW/DDT
DWN. BY:	BCS
CHK. BY:	SJW
DATE:	MAY, 2011
SCALE:	1"=20'
SHEET	C3 OF 12

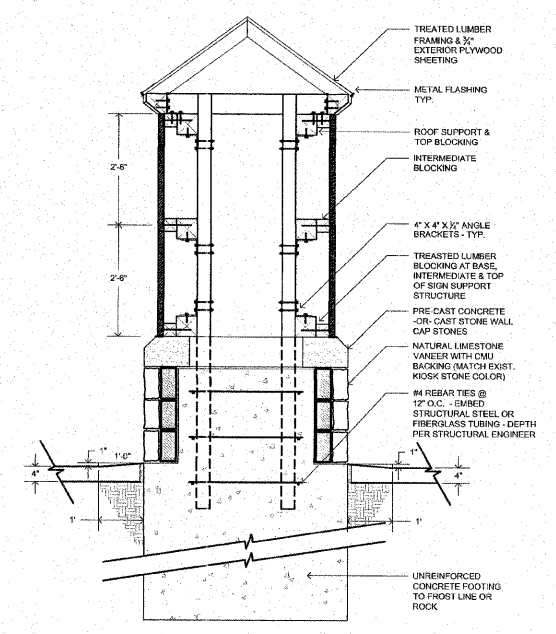
S:\land projects\GODFREY PAR (437560)\HOFFMAN GARDENS.dwg\HOFFMAN EXISTING SITE.dwg, 6/7/2011 10:52:29 AM, bspolans, 120

SECTION	COUNTY	TOTAL SHEETS	SHEET NO.
08-00021-00-PK	MADISON	12	6
CONTRACT NO. 97473			

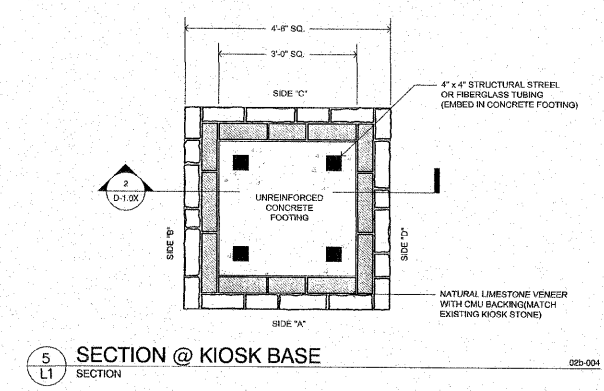
REVISIONS



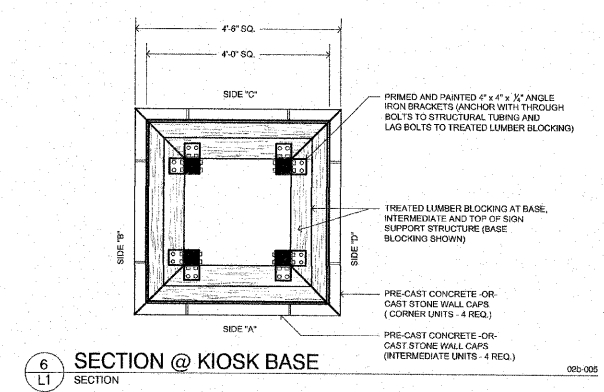
1
L1
ELEVATION
KIOSK - SIDES A AND C
(SIDE A SHOWN - SIDE C OPPOSITE)
02b-001



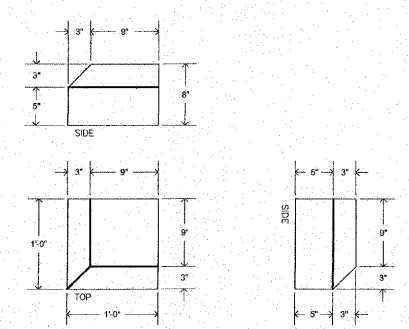
2
L1
SECTION
KIOSK FOOTING
02b-007



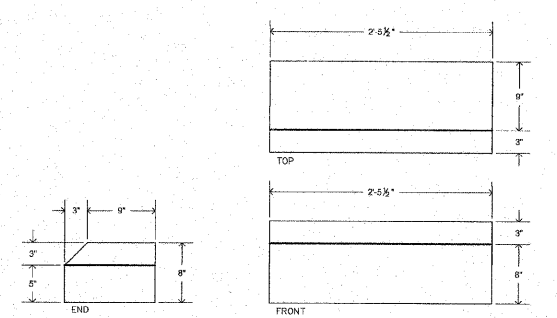
5
L1
SECTION
SECTION @ KIOSK BASE
02b-004



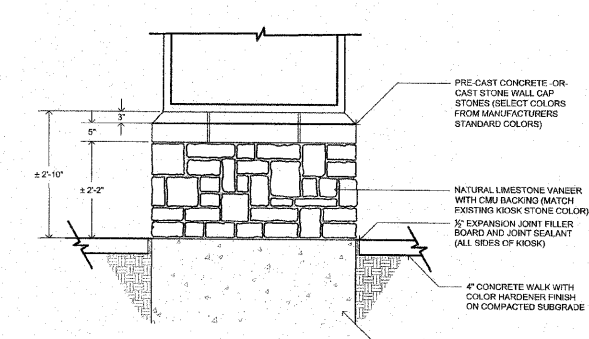
6
L1
SECTION
SECTION @ KIOSK BASE
02b-005



3
L1
SECTION
PRE-CAST CONCRETE -OR- CAST STONE WALL
CAP STONE - CORNER UNITS (4 REQD.)
02b-002



4
L1
SECTION
PRE-CAST CONCRETE -OR- CAST STONE WALL
CAP STONE - INTERMEDIATE UNITS (4 REQD.)
02b-006



7
L1
ELEVATION
KIOSK - SIDES B AND D
(SIDE D SHOWN - SIDE B OPPOSITE)
02b-003

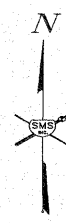
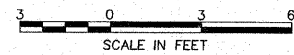
PDS
PLANNING DESIGN STUDIO
727 North First Street, Suite 360
Saint Louis, Missouri, 63102
Phone (314) 241-3600

IMPROVEMENT PLANS FOR HOFFMAN GARDENS
VILLAGE OF GODFREY, ILLINOIS
KIOSK DETAILS

DWG. NO.	HOFFMAN KIOSK DETAILS.DWG
REF. BK.	PG.
JOB NO.	437560
DSN. BY:	SJW/DDT
DWN. BY:	BCS
CHK. BY:	SJW
DATE:	MAY, 2011
SCALE:	1"=2'
SHEET	L1 OF 12

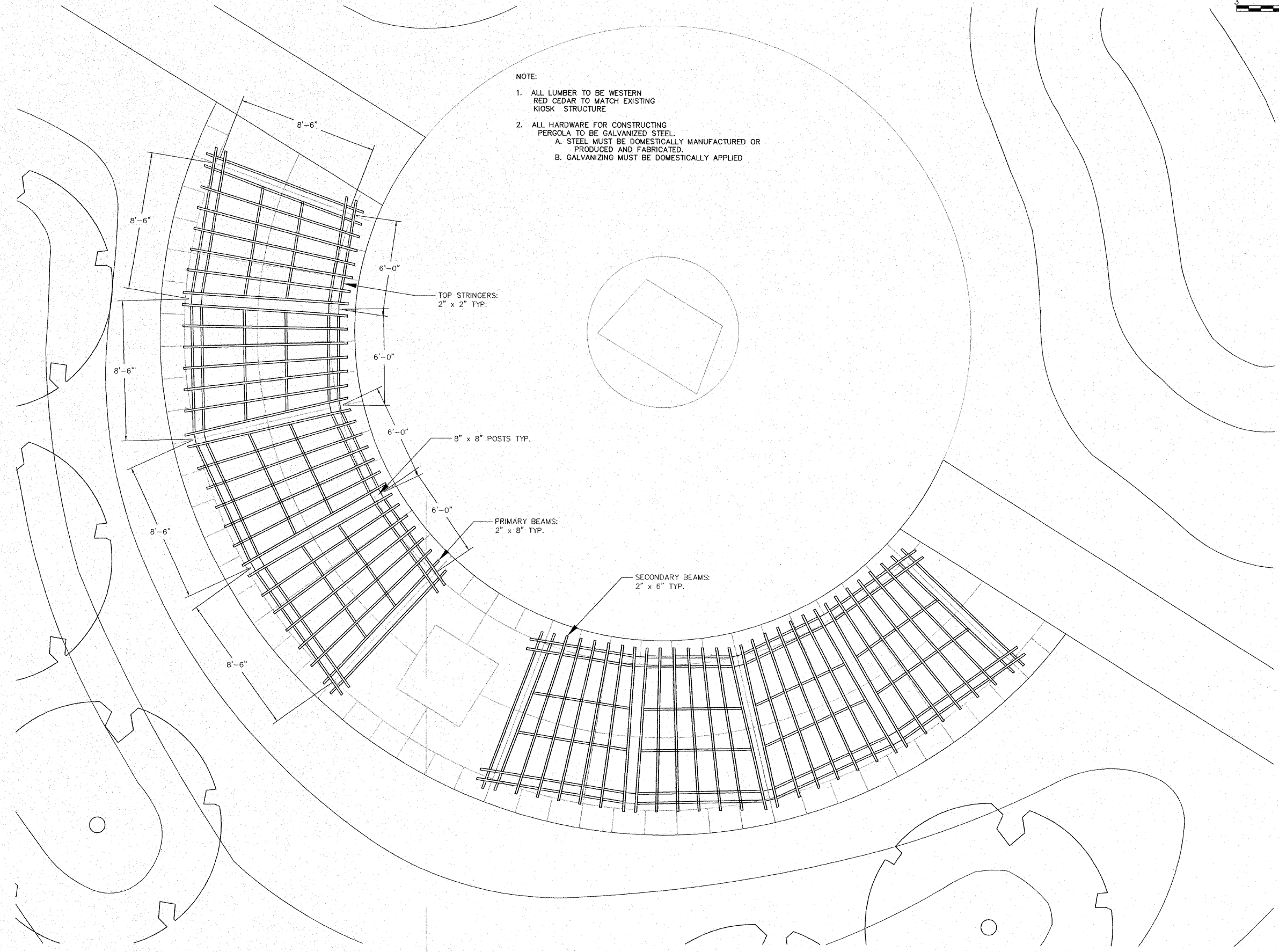
S:\land projects\GODFREY PARK (437560)\HOFFMAN GARDENS\Hoffman Kiosk Details.dwg, 07/20/11, 10:59:22 AM, bspeters, 1,2

SECTION	COUNTY	TOTAL SHEETS	SHEET NO.
08-00021-00-PK	MADISON	12	7
CONTRACT NO. 97473			



NOTE:

1. ALL LUMBER TO BE WESTERN RED CEDAR TO MATCH EXISTING KIOSK STRUCTURE
2. ALL HARDWARE FOR CONSTRUCTING PERGOLA TO BE GALVANIZED STEEL.
 - A. STEEL MUST BE DOMESTICALLY MANUFACTURED OR PRODUCED AND FABRICATED.
 - B. GALVANIZING MUST BE DOMESTICALLY APPLIED



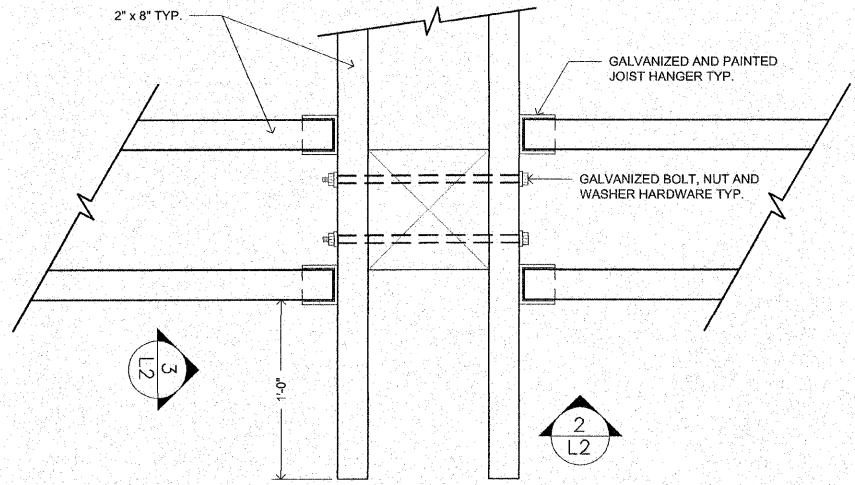
REVISIONS

PDS
 PLANNING DESIGN STUDIO
 727 North First Street, Suite 360
 Saint Louis, Missouri, 63102
 Phone (314) 241-3600

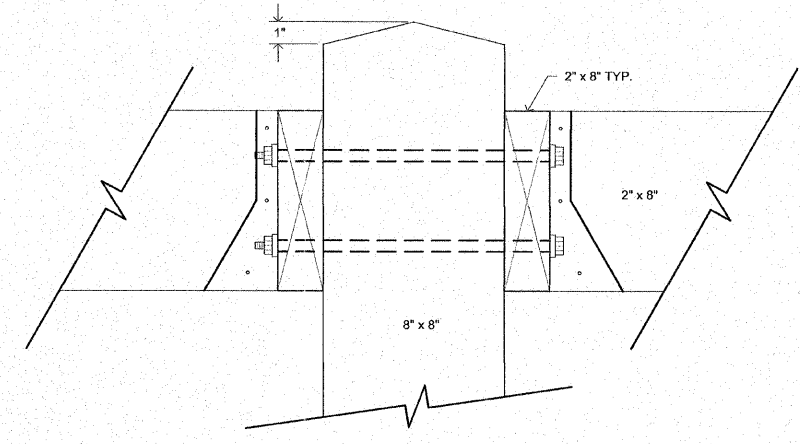
**IMPROVEMENT PLANS FOR HOFFMAN GARDENS
 VILLAGE OF GODFREY, ILLINOIS
 PERGOLA PLAN**

DWG. NO.	HOFFMAN PERGOLA PLAN.DWG
REF. BK.	PG.
JOB NO.	437560
DSN. BY:	SJW/DDT
DWN. BY:	BCS
CHK. BY:	SJW
DATE:	MAY, 2011

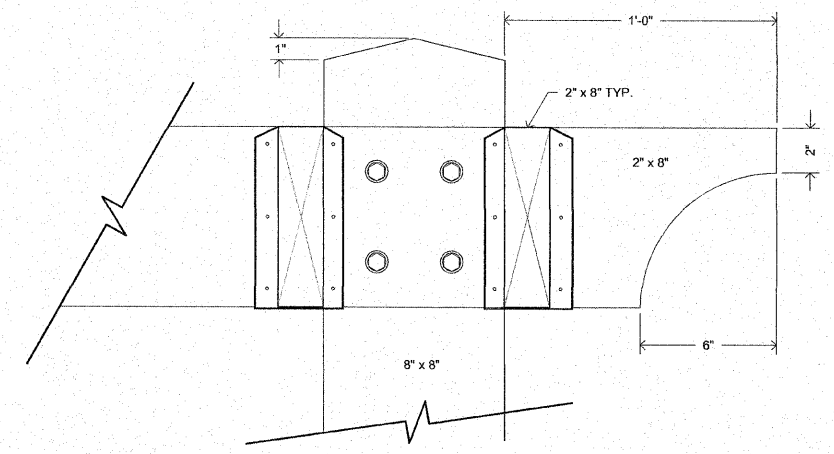
SCALE: 1"=3'
 SHEET L2 OF 12



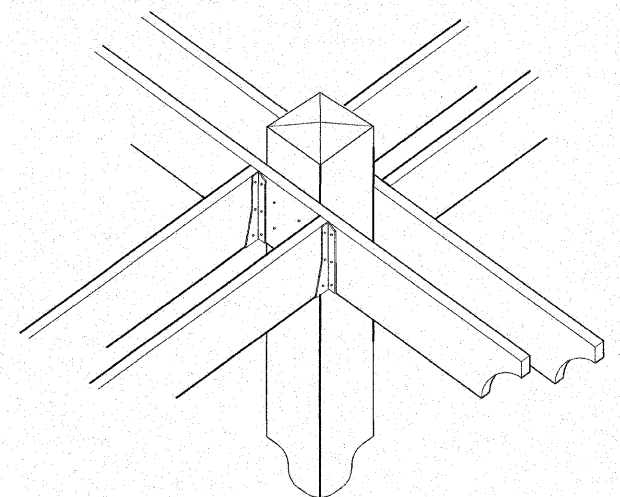
1
L3
INTERMEDIATE POST AND BEAM CONNECTION DETAILS (TOP)
PLAN
02f-003
NTS



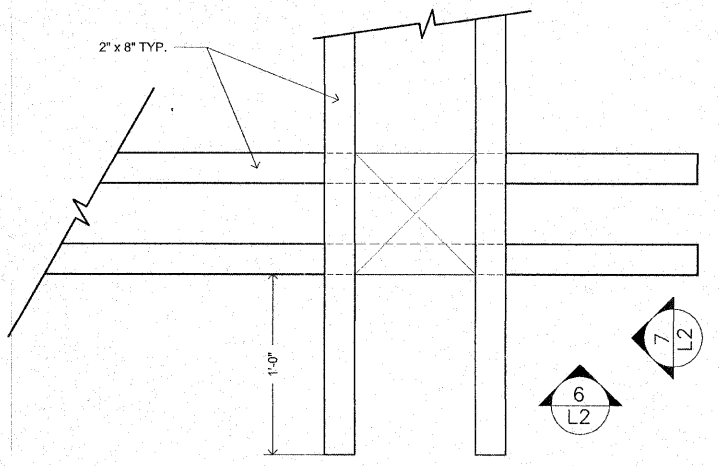
2
L3
INTERMEDIATE POST AND BEAM CONNECTION DETAILS (FRONT)
ELEVATION / SECTION
02f-002
NTS



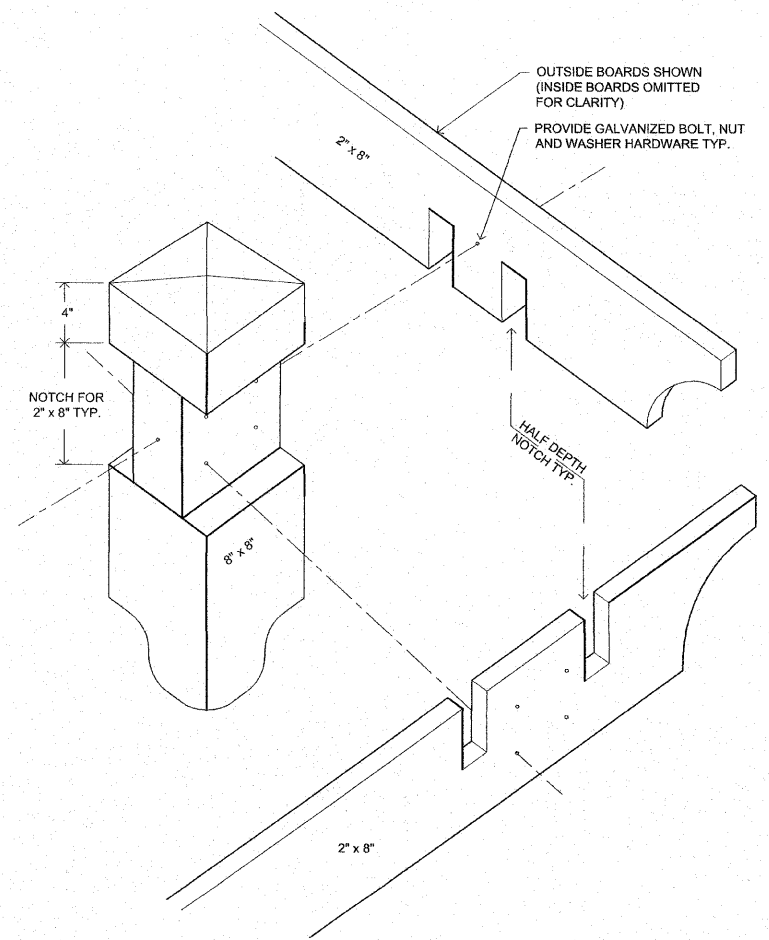
3
L3
INTERMEDIATE POST AND BEAM CONNECTION DETAILS (SIDE)
ELEVATION / SECTION
02f-001
NTS



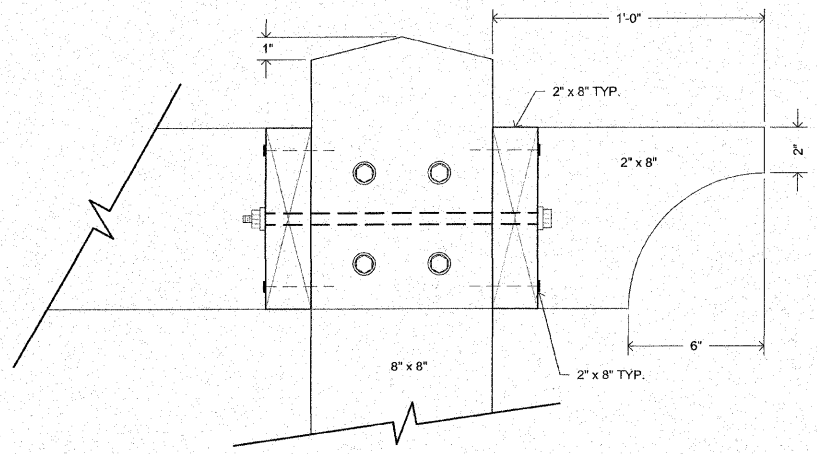
4
L3
CONNECTION DETAIL AT INTERMEDIATE POST AND BEAM
ISOMETRIC
02f-007
NTS



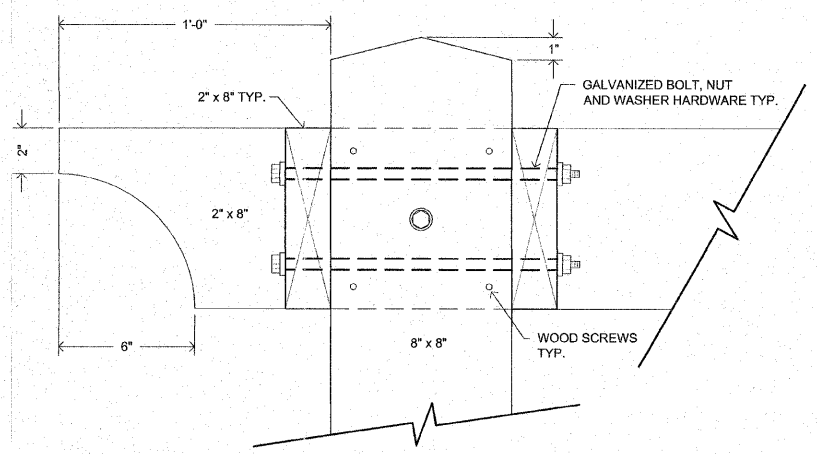
5
L3
END POST AND BEAM CONNECTION DETAILS (TOP)
PLAN
07f-004
NTS



8
L3
NOTCHING DETAIL AT CORNER POST AND BEAMS - TYP.
ISOMETRIC
02f-008
NTS



6
L3
END POST AND BEAM CONNECTION DETAILS (FRONT)
ELEVATION / SECTION
02f-005
NTS



7
L3
END POST AND BEAM CONNECTION DETAILS (SIDE)
ELEVATION / SECTION
02f-006
NTS

REVISIONS

PDS
PLANNING DESIGN STUDIO
727 North First Street, Suite 860
Saint Louis, Missouri, 63102
Phone (314) 241-8600

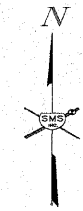
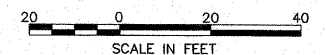
IMPROVEMENT PLANS FOR HOFFMAN GARDENS
VILLAGE OF GODFREY, ILLINOIS
PERGOLA DETAILS "A"

DWG. NO.	HOFFMAN PERGOLA DETAILS.DWG
REF. BK.	PG.
JOB NO.	437560
DSN. BY:	SJW/DDT
DWN. BY:	BCS
CHK. BY:	SJW
DATE:	MAY, 2011
SCALE:	N.T.S.
SHEET	L3 OF 12

S:\land projects\GODFREY PAR 437560\HOFFMAN GARDENS\Hoffman Pergola Details.dwg, 5/7/2011 10:27:01 AM, lapastra, 11

- NOTES:
1. REFER TO SPECIFICATIONS FOR ADDITIONAL REQUIREMENTS.
 2. COORDINATE INSTALLATION OF PLANTINGS TO AVOID STORING PLANTS ON SITE.
 3. NOTIFY ENGINEER FOR ON-SITE COORDINATION AND APPROVAL OF PLANT SPACINGS AND ARRANGEMENT DURING PLANTING OPERATIONS.

SECTION	COUNTY	TOTAL SHEETS	SHEET NO.
08-00021-00-PK	MADISON	12	10
CONTRACT NO. 97473			

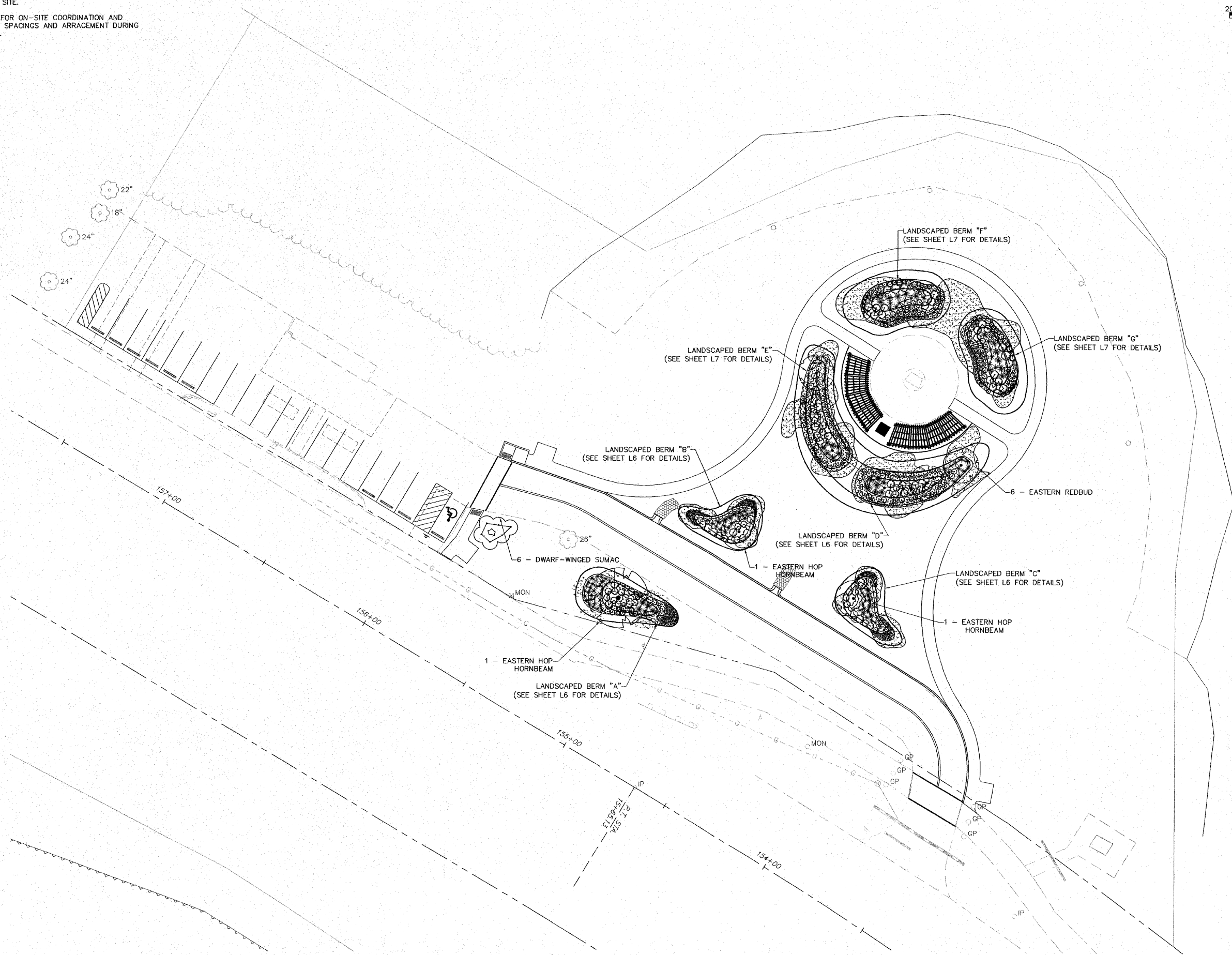


REVISIONS

PDS
 PLANNING DESIGN STUDIO
 727 North First Street, Suite 360
 Saint Louis, Missouri, 63102
 Phone (314) 241-3600

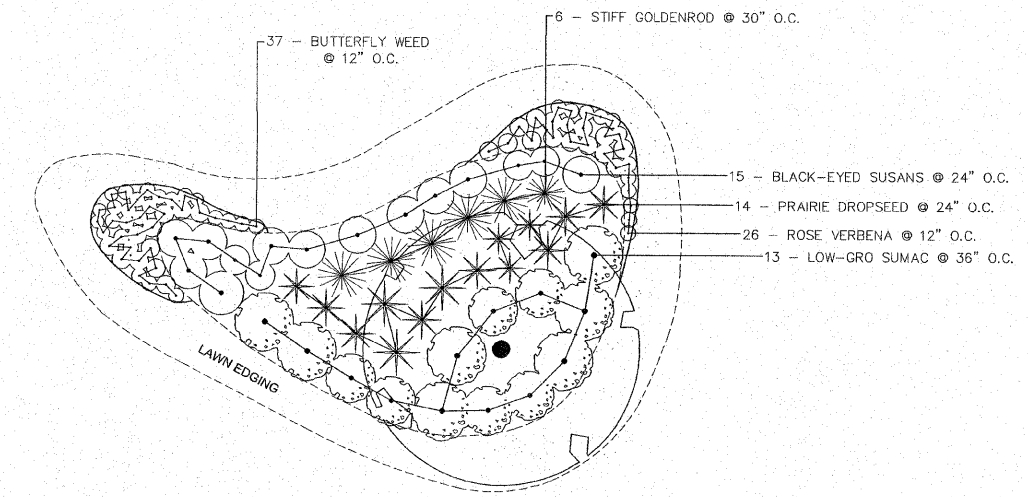
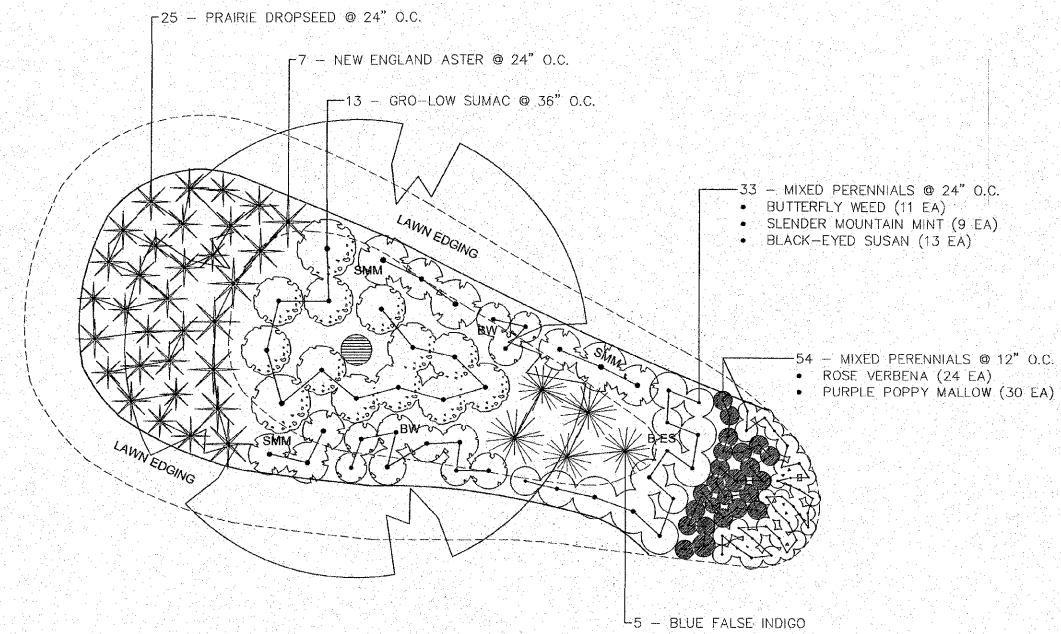
**IMPROVEMENT PLANS FOR HOFFMAN GARDENS
 VILLAGE OF GODFREY, ILLINOIS
 PLANTING PLAN**

DWG. NO.	HOFFMAN PLANTING PLAN.DWG
REF. BK.	PG.
JOB NO.	437560
DSN. BY:	SJW/DDT
DWN. BY:	BCS
CHK. BY:	SJW
DATE:	MAY, 2011
SCALE:	1"=20'
SHEET	L5 OF 12



S:\land projects\GODFREY PAR 437560\HOFFMAN GARDENS\img\HOFFMAN PLANTING PLAN.dwg, 6/9/2011 2:12:39 PM, bspolans, 1:20

SECTION	COUNTY	TOTAL SHEETS	SHEET NO.
08-00021-00-PK	MADISON	12	11
CONTRACT NO. 97473			

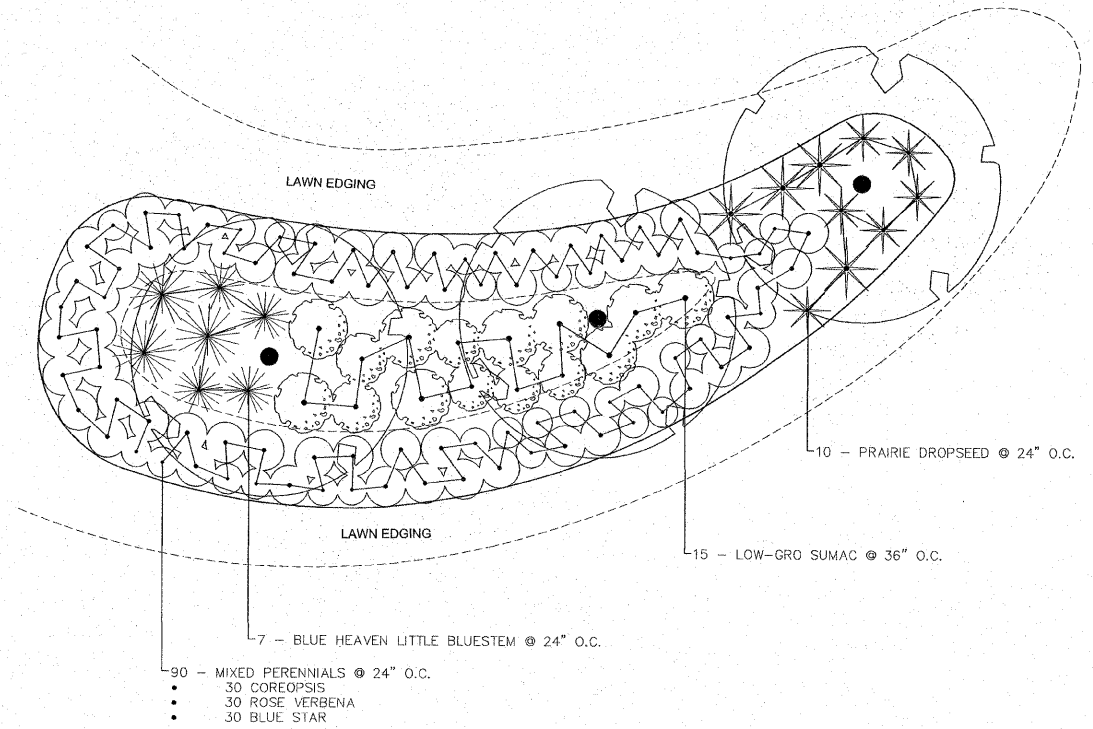
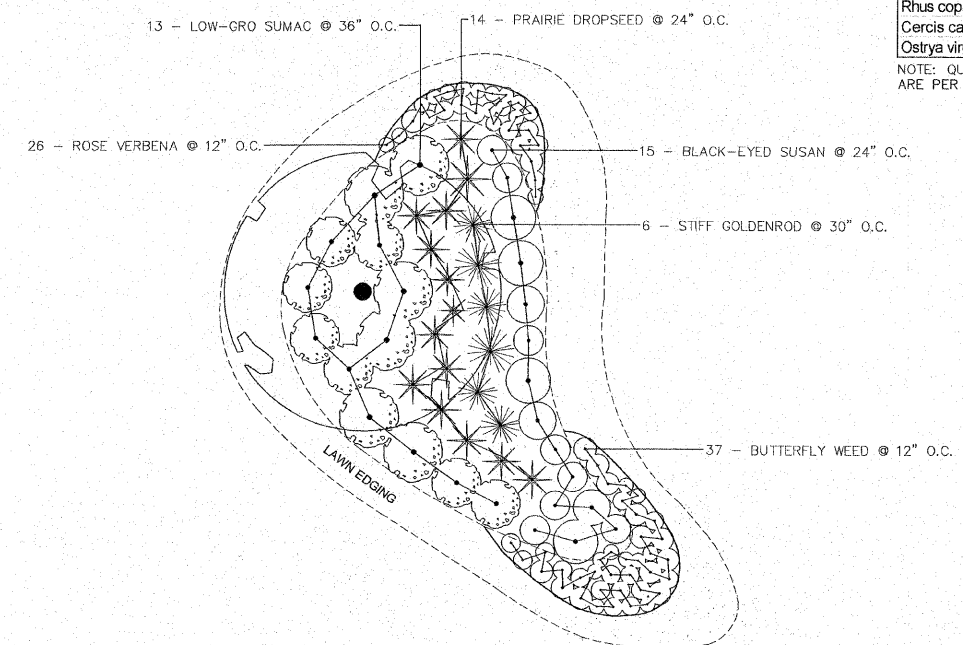


1
L6
NTS
DETAIL PLAN - LANDSCAPED BERM "A"

2
L6
NTS
DETAIL PLAN - LANDSCAPED BERM "B"

Plant Name	Size	Qty.
PERENNIALS - 4.5" (#1 quart square)		
Asclepias tuberosa (Butterfly Milkweed)	4.5" (1qt)	105
Aster novae-angliae (New England Aster)[GN]	4.5" (1qt)	27
Baptisia australis (Blue False Indigo)	4.5" (1qt)	25
Callirhoe involucrata (Purple Poppy Mallow)	4.5" (1qt)	110
Coreopsis lanceolata (Lance-leaf Coreopsis)	4.5" (1qt)	60
Echinacea paradoxa (Yellow Coneflower)	4.5" (1qt)	20
Sporobolus heterolepis (Prairie Dropseed Grass)	4.5" (1qt)	95
Liatris scariosa (Eastern Blazing Star)	4.5" (1qt)	12
Oenothera macrocarpa-syn missouriensis (Missouri Evening Primrose)	4.5" (1qt)	20
Pycnanthemum tenuifolium (Slender Mountain Mint)	4.5" (1qt)	29
Rudbeckia missouriensis (Missouri Black-eyed Susan)	4.5" (1qt)	43
Solidago rigida (Stiff Goldenrod)	4.5" (1qt)	12
Verbena canadensis (Rose Verbena)	4.5" (1qt)	156
PERENNIALS - 6" (#1 round/trade gallon)		
Amsonia tabernaemontana (Blue Star)	6" (#1)	60
Schizachyrium s. Blue Heaven (Little Bluestem grass) [PP17310]	6" (#1)	14
Trees & Shrubs - Trees B & B - Shrubs Container Grown		
Rhus aromatica (Low-Gro)	#2 Cont.	97
Rhus copalina var. latifolia 'Morton' Prairie Flame (Dwarf Winged Sumac)	#2 Cont.	6
Cercis canadensis (Eastern Redbud)	1-3/4" Cal.	6
Ostrya virginiana (Eastern Hop Hornbeam)	2" Cal.	3

NOTE: QUANTITIES FOR PERENNIALS SHOWN ABOVE ARE PER PLANT. 100 PLANTS = 1 UNIT QUANTITY



3
L6
NTS
DETAIL PLAN - LANDSCAPED BERM "C"

4
L6
NTS
DETAIL PLAN - LANDSCAPED BERM "D"

REVISIONS

PDS
PLANNING DESIGN STUDIO
727 North First Street, Suite 360
Saint Louis, Missouri, 63102
Phone (314) 241-3600

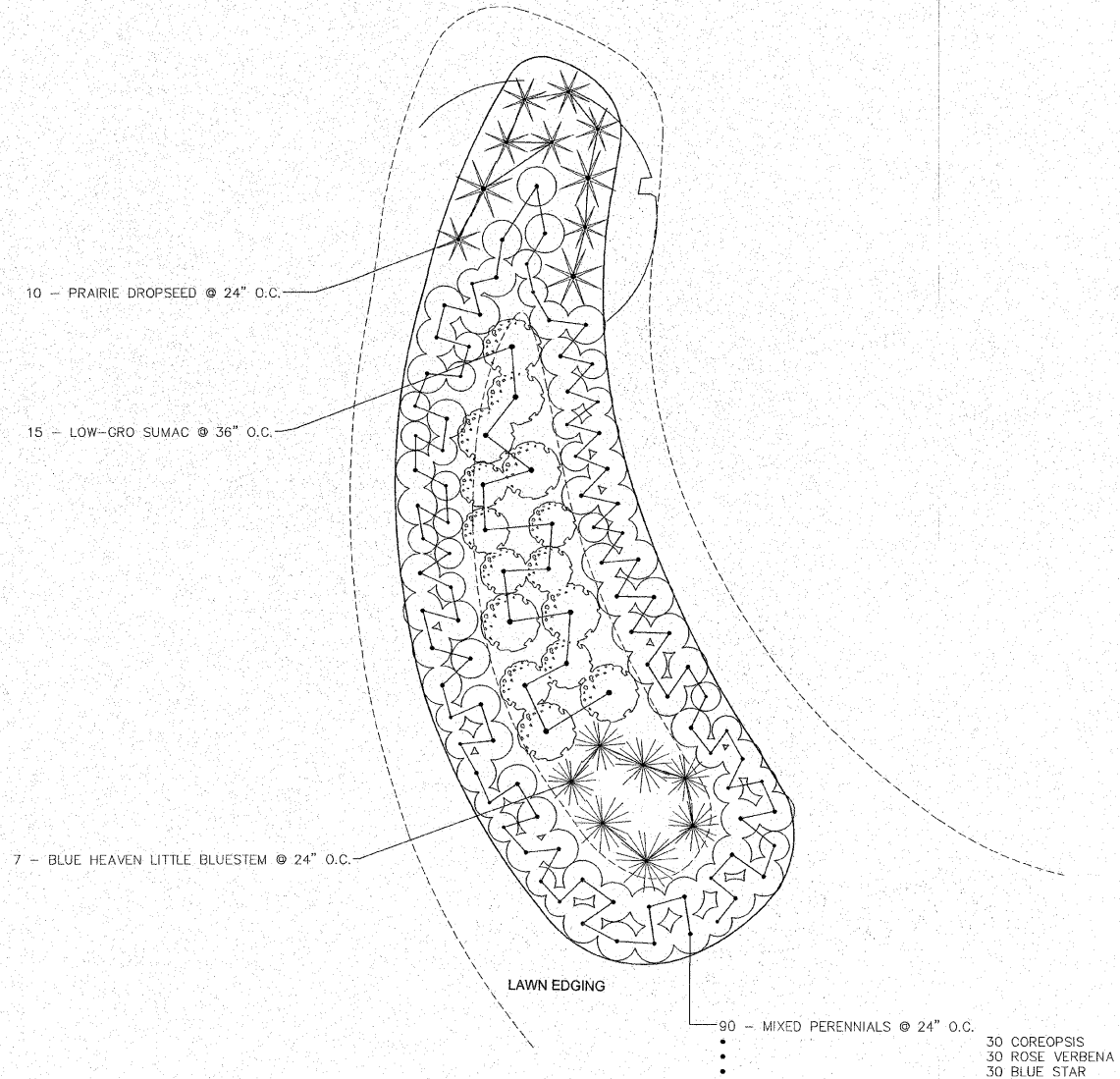
IMPROVEMENT PLANS FOR HOFFMAN GARDENS
VILLAGE OF GODFREY, ILLINOIS
PLANTING DETAILS "A"

DWG. NO.	HOFFMAN PLANTING DETAILS.DWG
REF. BK.	PG.
JOB NO.	437560
DSN. BY:	SJW/DDT
DWN. BY:	BCS
CHK. BY:	SJW
DATE:	MAY, 2011

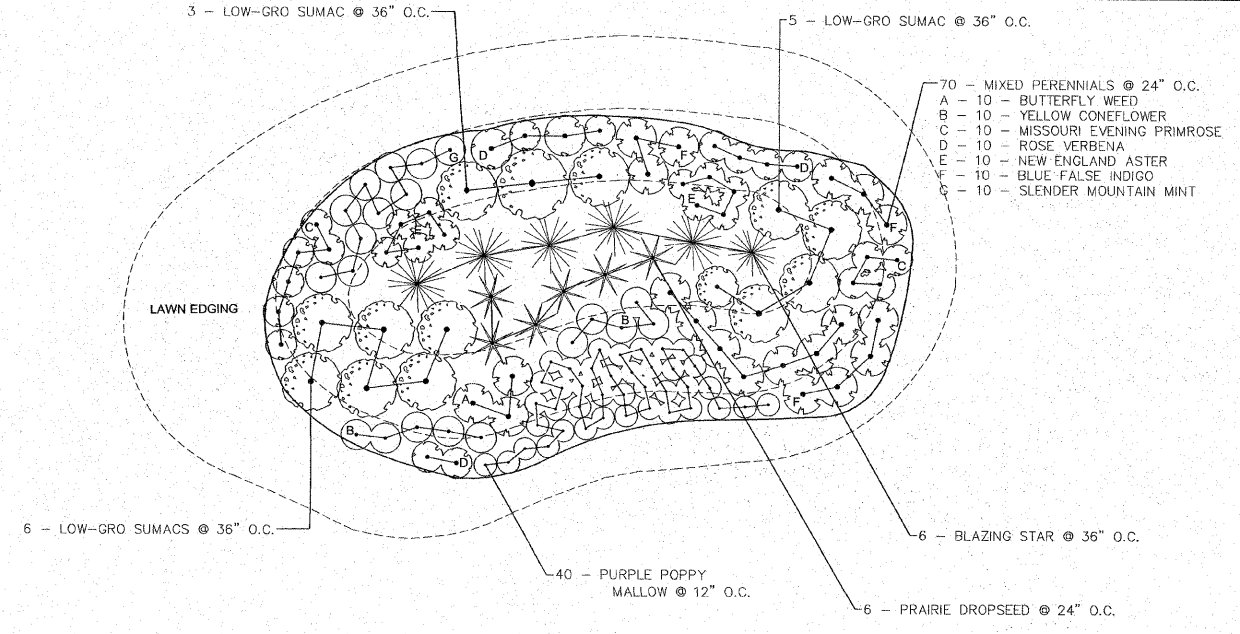
SCALE: N.T.S.
SHEET L6 OF 12

S:\land_projects\GODFREY PAR (437560)\HOFFMAN GARDENS\Hoffman Planting Details.dwg, 01/10/2011 1:56:12 PM, bspeters, 1:1

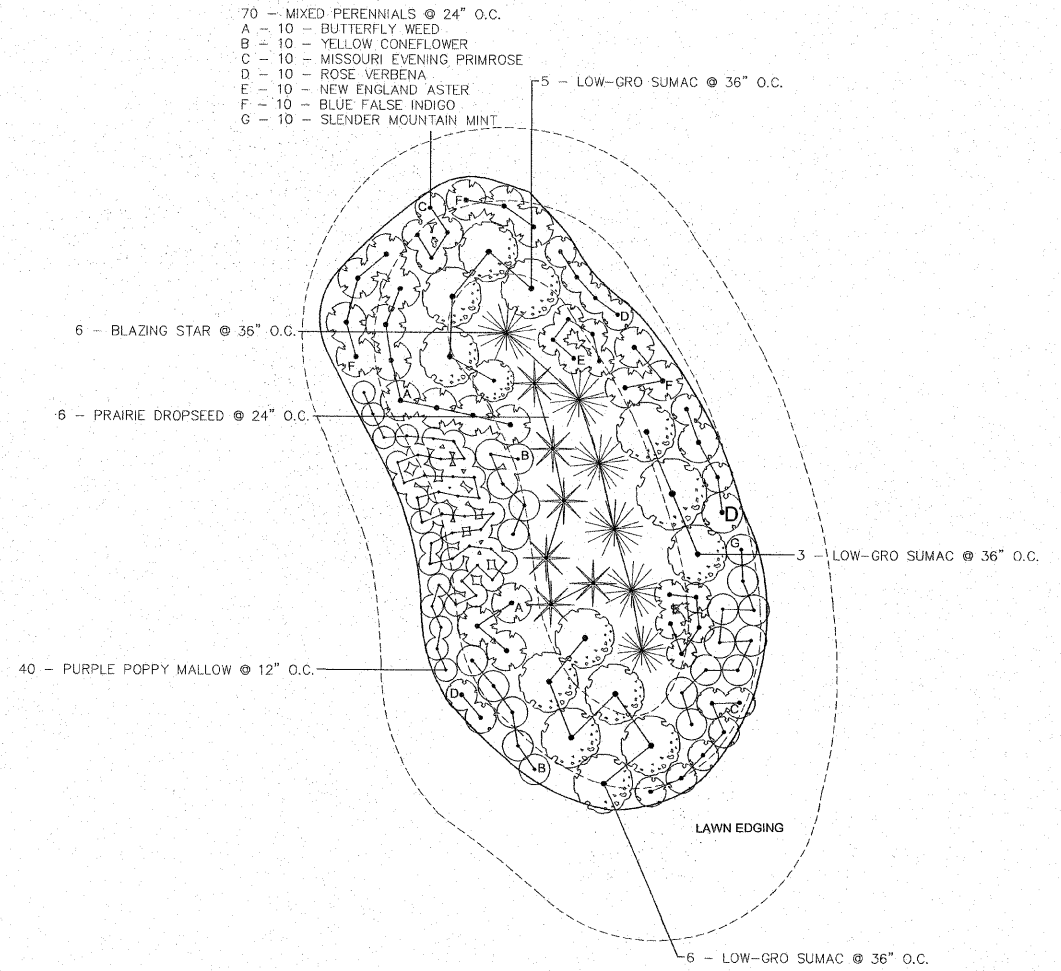
SECTION	COUNTY	TOTAL SHEETS	SHEET NO.
08-00021-00-PK	MADISON	12	12
CONTRACT NO. 97473			



1
L7
DETAIL PLAN - LANDSCAPED BERM "E"
NTS



2
L7
DETAIL PLAN - LANDSCAPED BERM "F"
NTS



3
L7
DETAIL PLAN - LANDSCAPED BERM "G"
NTS

REVISIONS

PDS
 PLANNING DESIGN STUDIO
 727 North First Street, Suite 360
 Saint Louis, Missouri, 63102
 Phone (314) 241-3600

IMPROVEMENT PLANS FOR HOFFMAN GARDENS
VILLAGE OF GODFREY, ILLINOIS
PLANTING DETAILS "B"

DWG. NO.	HOFFMAN PLANTING DETAILS.DWG
REF. BK.	PG.
JOB NO.	437560
DSN. BY:	SJW/DDT
DWN. BY:	BCS
CHK. BY:	SJW
DATE:	MAY, 2011
SCALE:	N.T.S.
SHEET	L7 OF 12

S:\land projects\GODFREY PAR (437560)\HOFFMAN GARDENS\DWG\HOFFMAN PLANTING DETAILS.dwg, 8/10/2011 1:56:20 PM, bapeters, 1:1