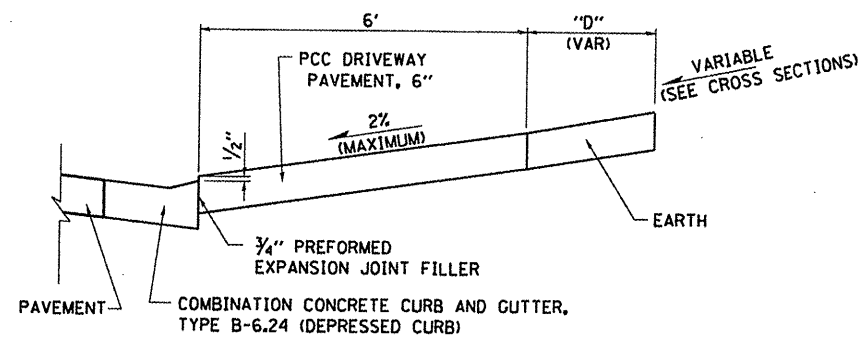
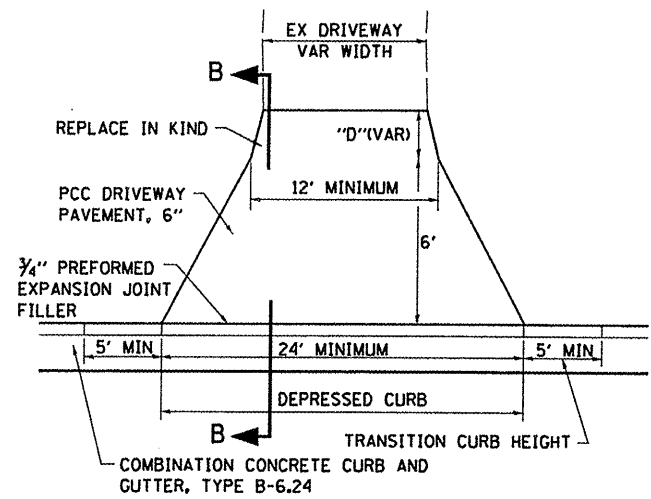


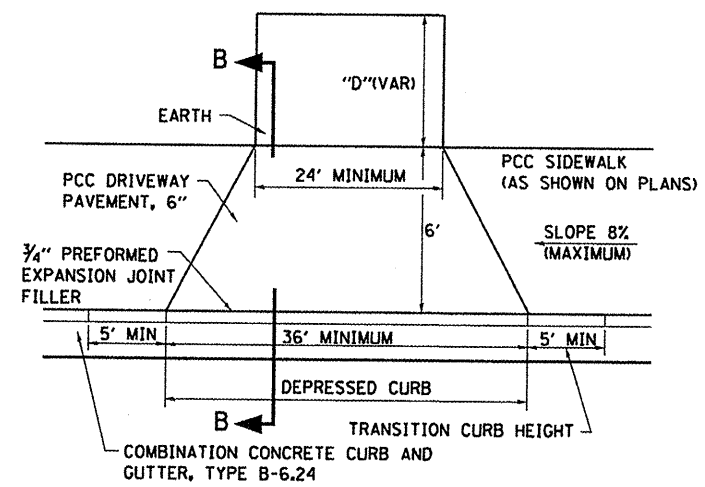
SECTION B-B
(NOT TO SCALE)



SECTION B-B
(NOT TO SCALE)



TYPICAL PRIVATE ENTRANCE DETAIL
(NOT TO SCALE)



TYPICAL FIELD ENTRANCE DETAIL
(NOT TO SCALE)

FILE NAME =	USER NAME = joelitaliano	DESIGNED -	REVISED -
0829051-ent-details.dgn	PLOT TIME = 9:22:28 AM	DRAWN -	REVISED -
	PLOT SCALE = 40.0000' / IN.	CHECKED -	REVISED -
	PLOT DATE = 10/5/2011	DATE -	REVISED -

CITY OF O'FALLON

ENTRANCE DETAILS

F.A.U. RTE.	SECTION	COUNTY	TOTAL SHEETS	SHEET NO.
9172	10-00036-03-PV	ST. CLAIR	51	35
CONTRACT NO. 97478				

SCALE: NONE SHEET NO. 01 OF 01 SHEETS STA. TO STA.