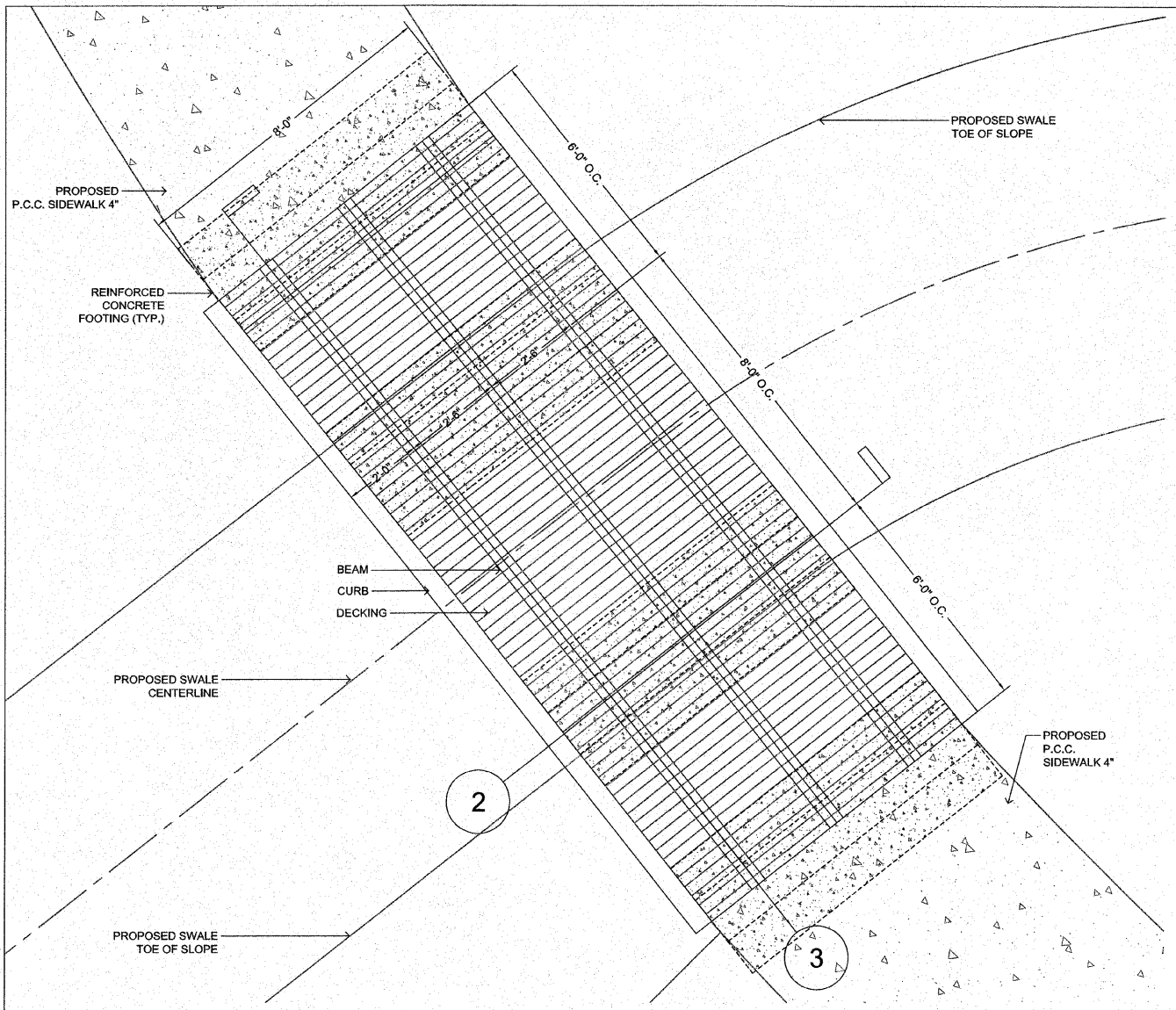
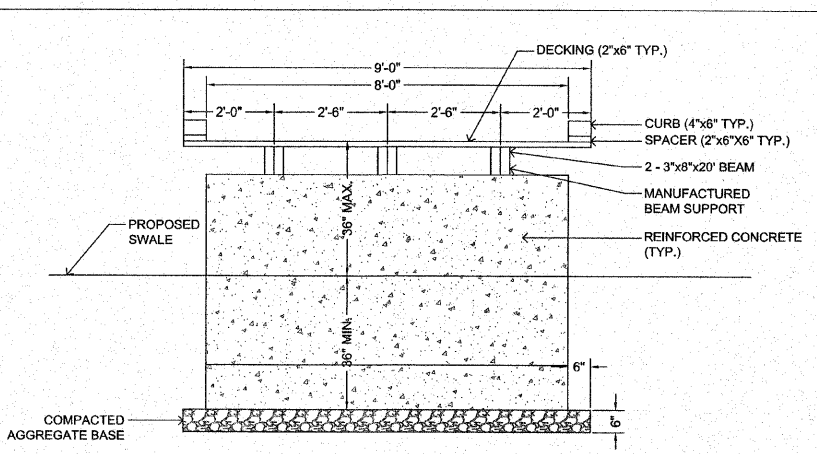
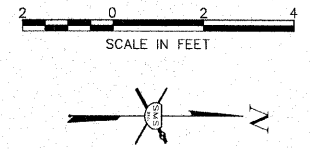


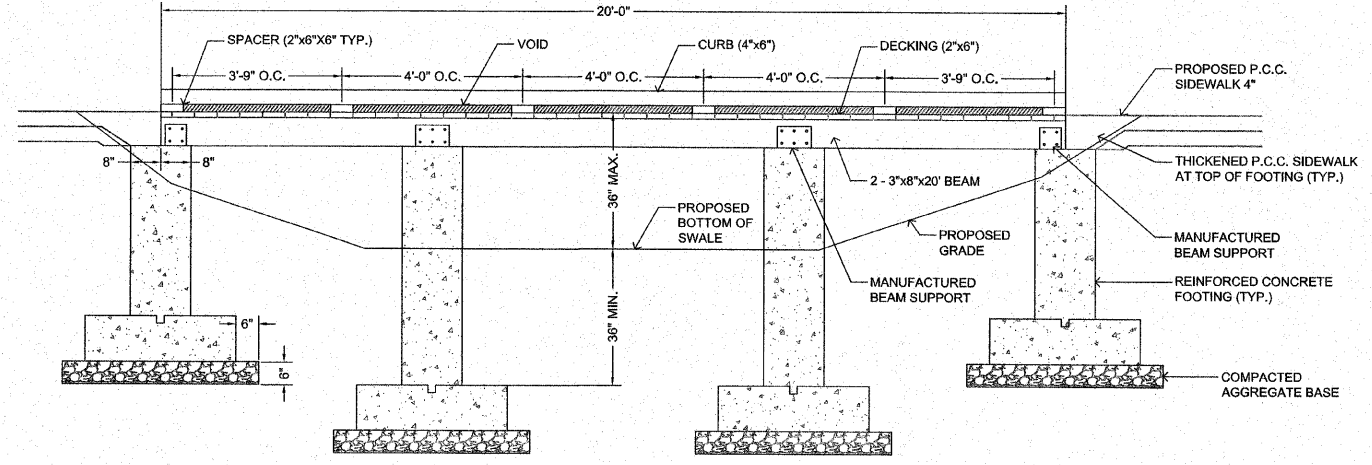
F.A. RTE.	SECTION	COUNTY	TOTAL SHEETS	SHEET NO.
10-00026-02-LS	MADISON		10	9



1 BOARDWALK ENLARGEMENT PLAN

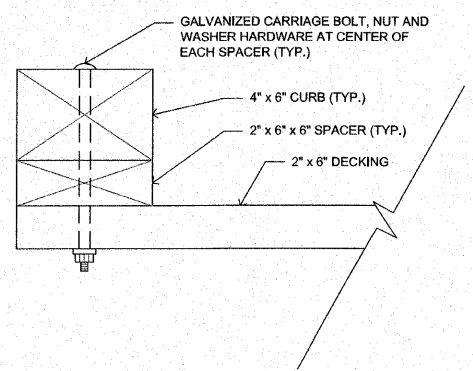


2 BOARDWALK SECTION A-A
SCALE: 1/2" = 1'-0"



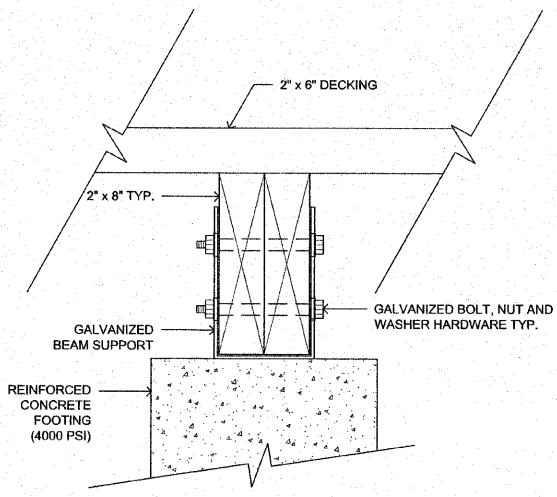
3 BOARDWALK SECTION B-B
SCALE: 1/2" = 1'-0"

CONTRACTOR SHALL PROVIDE SHOP DRAWINGS FOR BOARDWALK AND CONCRETE FOOTINGS FOR REVIEW AND APPROVAL PRIOR TO CONSTRUCTION



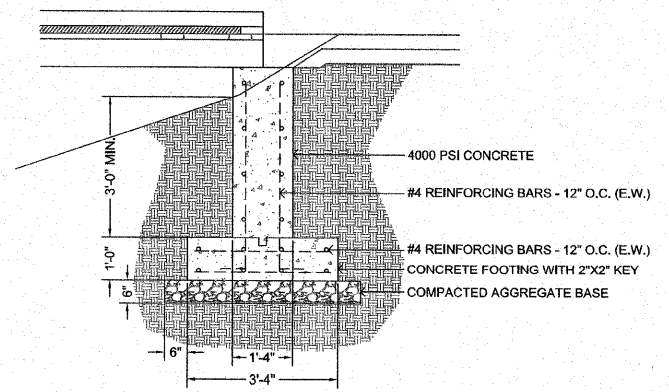
4 CURB AND DECKING CONNECTION DETAIL

NTS



5 CONCRETE FOOTING, BEAM AND DECKING CONNECTION DETAIL

NTS



6 REINFORCED CONCRETE FOOTING DETAIL (TYP.)

NTS

REVISIONS

PLANNING DESIGN STUDIO
Urban Design Landscape Architecture
727 North First Street Suite 360
Saint Louis, Missouri 63102
P 314.241.3600 F 314.241.3601



VILLAGE OF HARTFORD, ILLINOIS
LEWIS AND CLARK MEMORIAL TOWER
TOWER LANDSCAPING
SECTION 10-00026-02-LS
BOARDWALK ENLARGEMENT PLAN AND DETAILS

DWG. NO.	LP/HARTFORD 448079 CONFORMANCE TOWER
REF. BK.	PG.
JOB NO.	448079.0
DSN. BY:	RW
DWN. BY:	RW
CHK. BY:	NTF
DATE:	SEPTEMBER, 2011
SCALE:	NTS
SHEET	9 OF 10