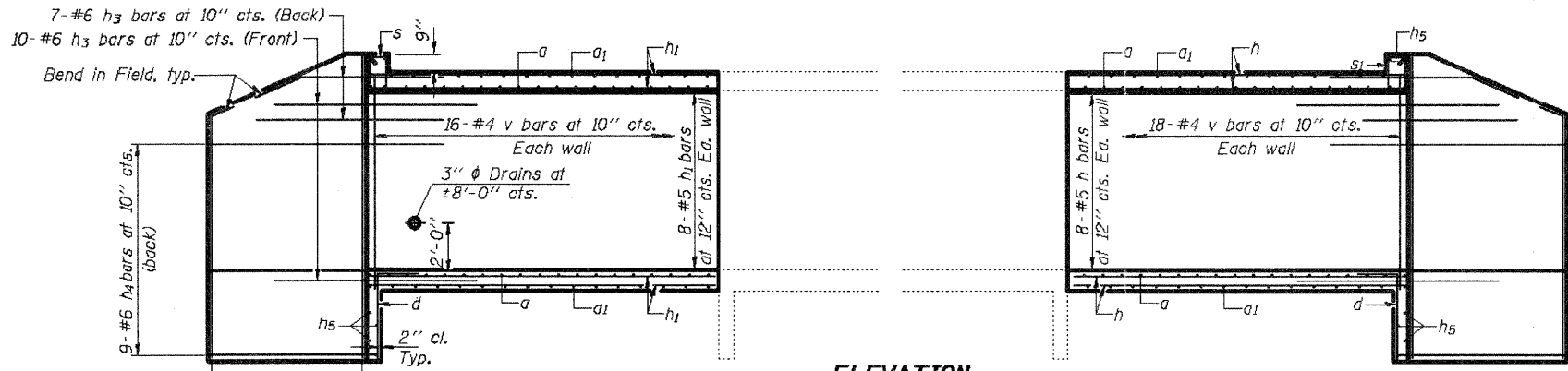
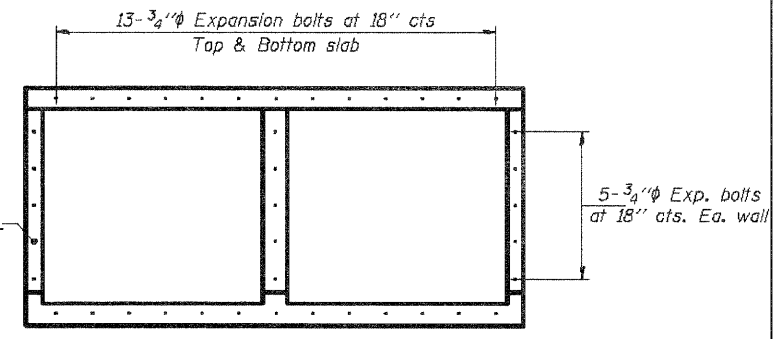


ROUTE	SECTION	COUNTY	TOWNSHIP	TOTAL SHEETS	SHEET NUMBER
FAS 193	D6-0044-00-WR	JACKSON	MAKANDA	91	84
JOB NO. C-99-579-06			PROJECT NO. SR-199K061		
BOSKYDELL ROAD			CONTRACT NO. 9953B		

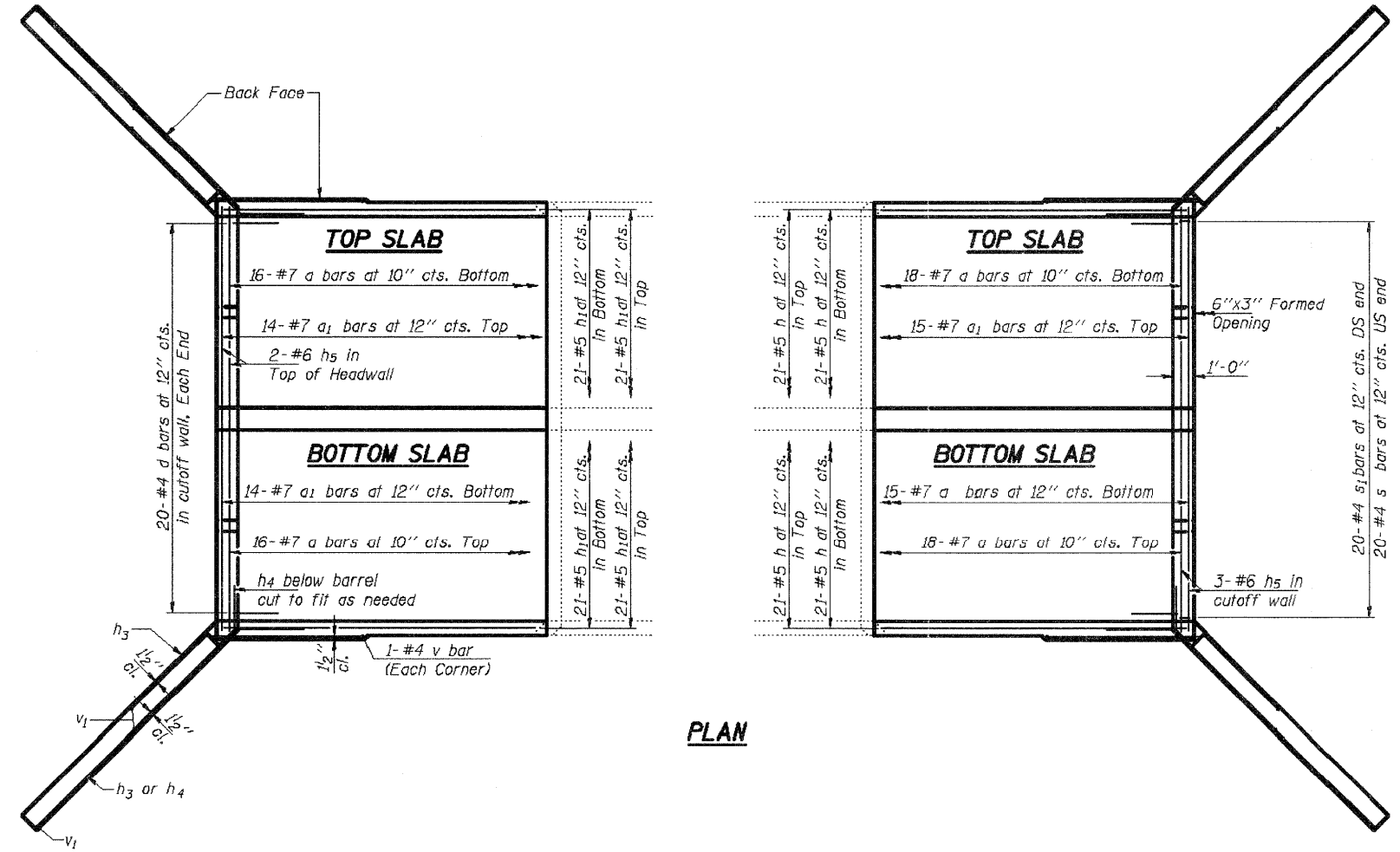


ELEVATION

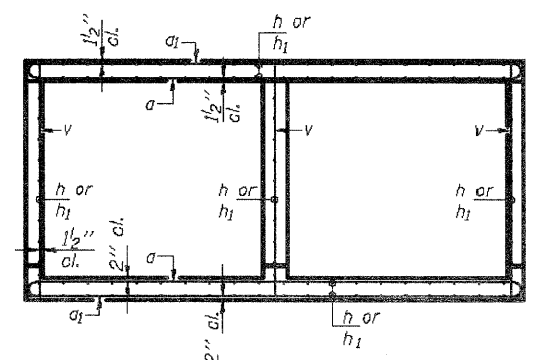


END VIEW

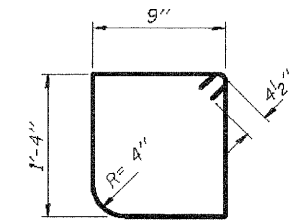
Expansion bolts shall be 3/4" hooked bolts. Hooked bolts shall extend a minimum of 9" into new concrete.



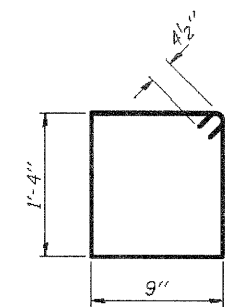
PLAN



SECTION



BAR s(E)



BAR s1(E)

