

FAS	SECTION	COUNTY	TOTAL SHEETS	SHEET NO.
881	07-00:04-00-BR	WHITE	16	4
FED. ROAD DIST. NO. 9 ILLINOIS		FED. AID PROJECT		
PROJECT# BRS-881(17)		CONTRACT# 99451		
JOB NO. C-99-513-06		BEAR CREEK		

323 W. 3RD ST.
P.O. BOX 160
MT CARMEL, IL
62863
PHONE:
(618)-262-8651
FAX:
(618)-263-3327

405 W. STATE ST
SUITE 1
PRINCETON, IN
47670
PHONE:
(812)-386-7611
FAX:
(812)-386-2812



PROFESSIONAL DESIGN FIRM
LAND SURVEY &
PROFESSIONAL ENGINEERING CORPORATION
184-00887
(62-032435)(35-002769)



AARON M. MEFFORD
NAME
[Signature]
SIGNATURE
DATE
10-18-11
11-30-13
EXPIRES

F.A.S. 881
OVER BEAR CREEK
WHITE COUNTY, ILLINOIS

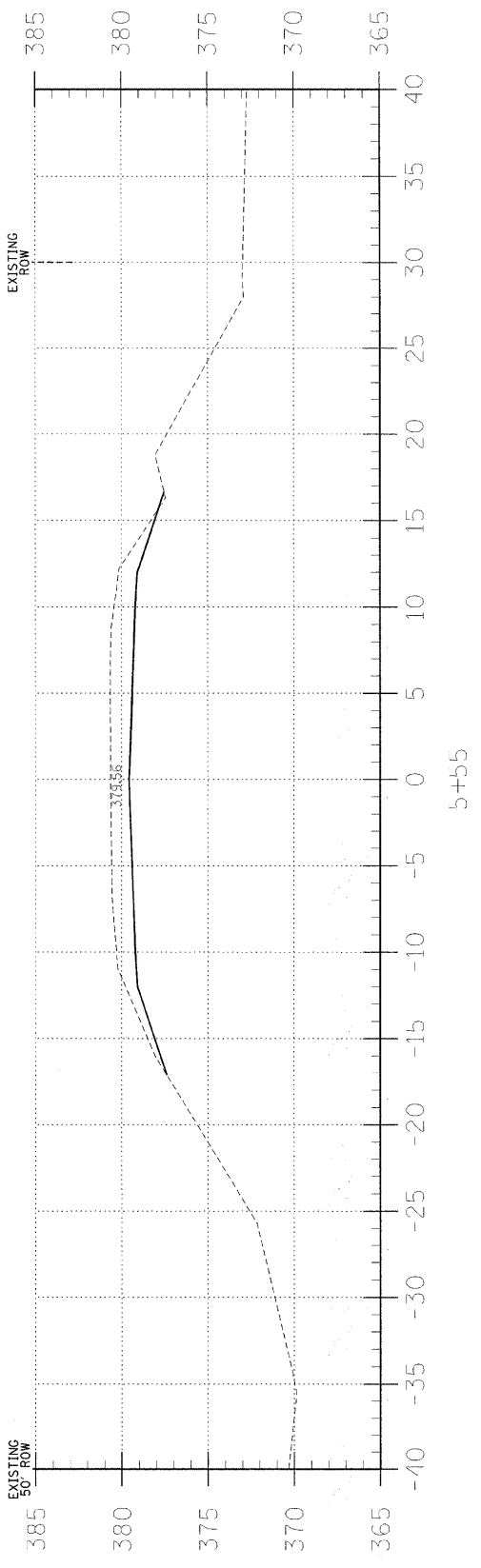
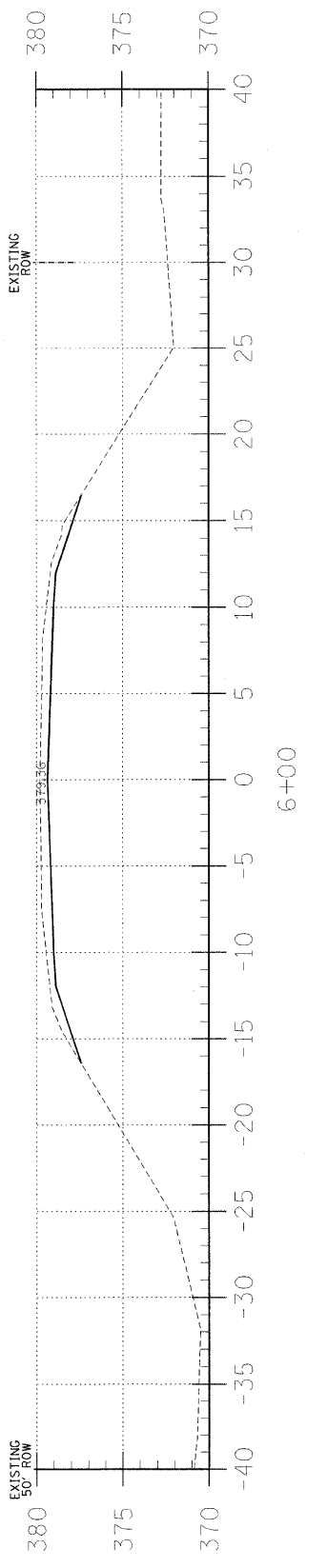
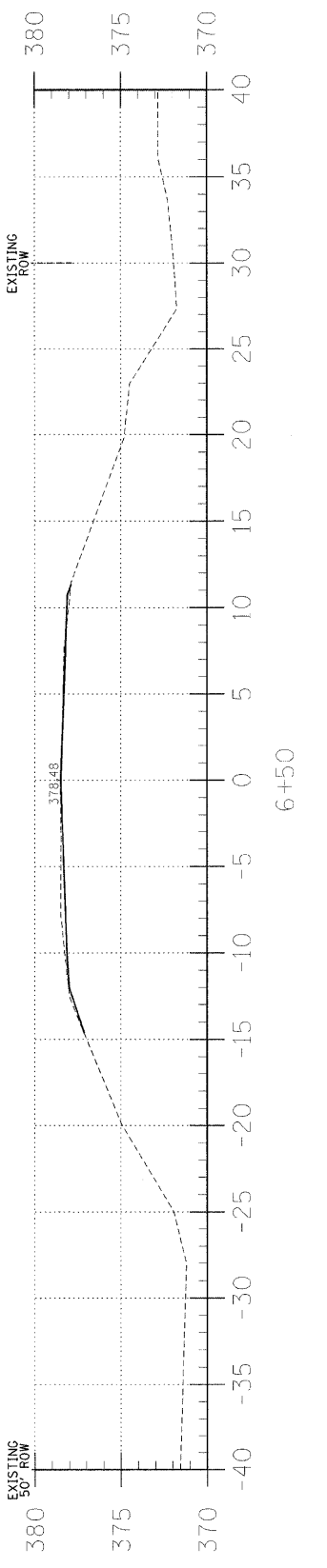
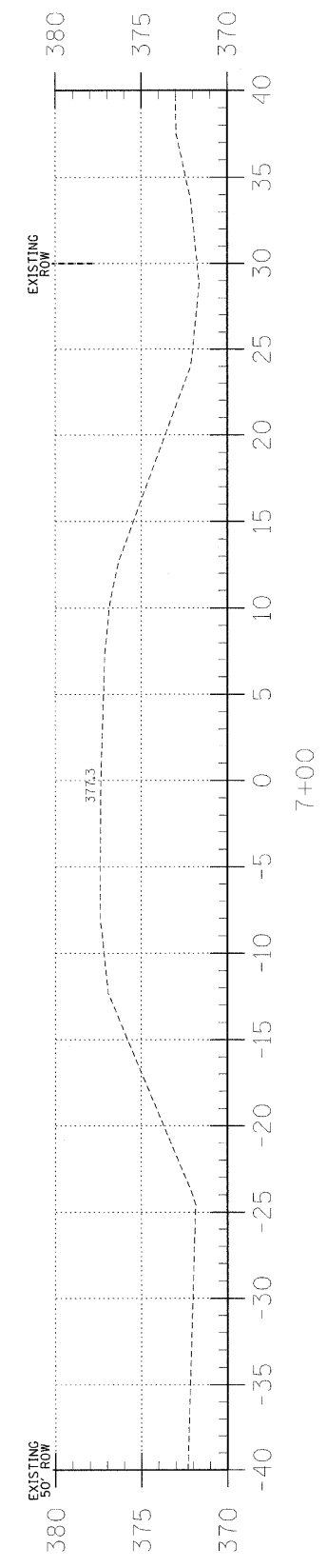
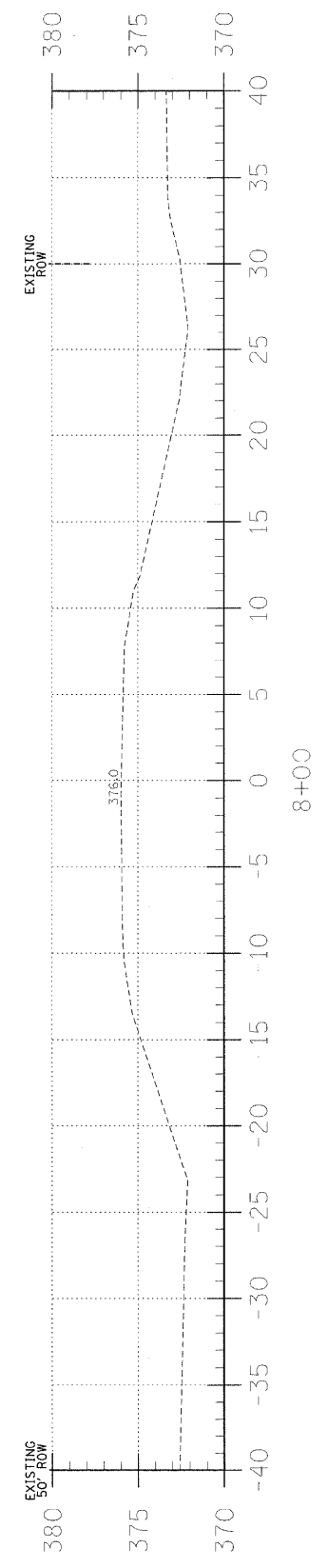
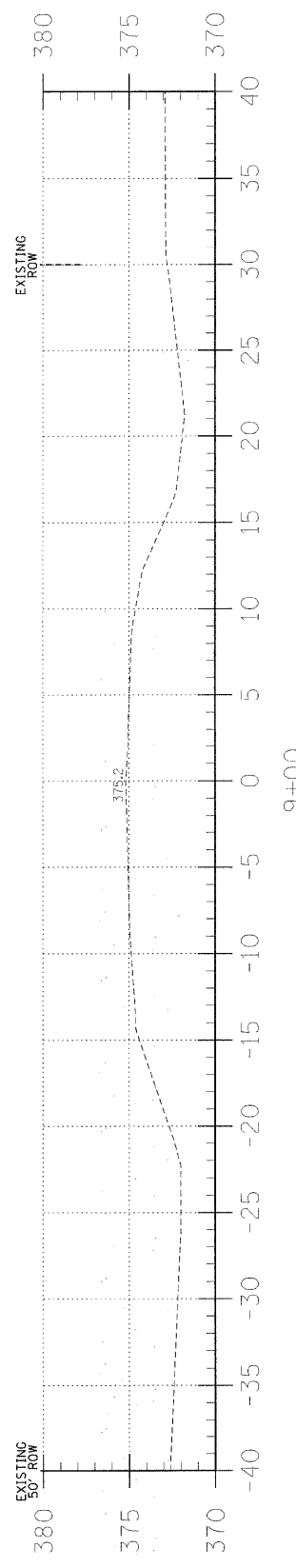
SHEET TITLE:

CROSS-SECTIONS

SCALE: 1" = 5'
BY: AMM
DATE: 10/31/11
REV:

4 OF 16 SHEETS

SHEET NO. 4



C = 2.1
F = 0.2

C = 15.1
F = 0.0

C = 32.5
F = 0.0