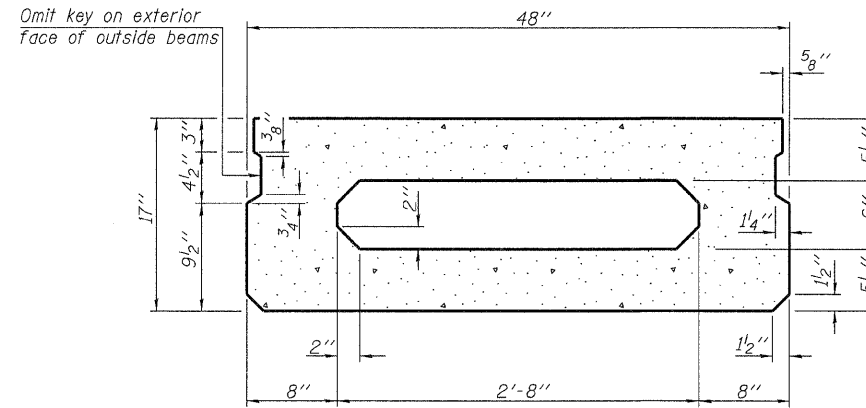
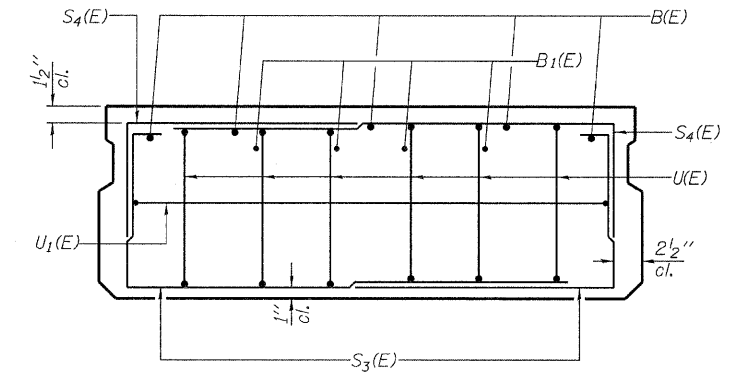


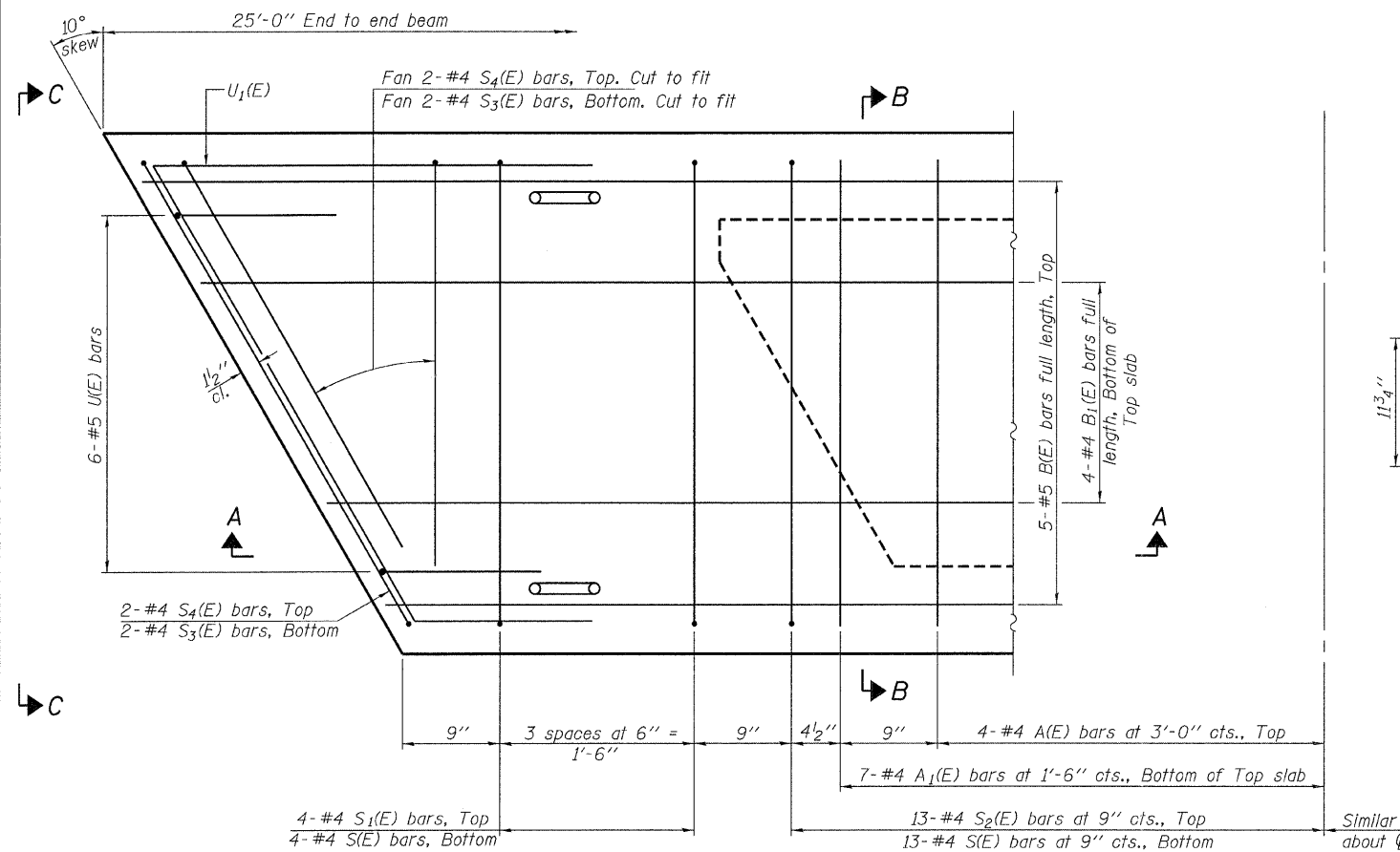
SECTION A-A



SECTION B-B
(Showing dimensions)

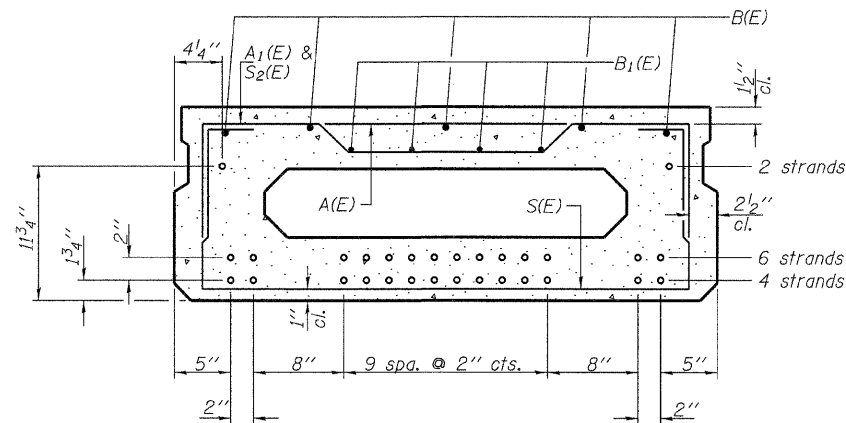


VIEW C-C



PLAN VIEW

Note: Spacing of S(E) and S2(E) bars may be adjusted up to 4" in the immediate area of the transverse tie diaphragms to miss the block outs for the transverse ties.



SECTION B-B

(Showing reinforcement and permissible strand locations)

Note: Place the number of strands specified in each row symmetrically about the centerline of beam in the permissible strand locations shown.

BAR LIST
ONE BEAM ONLY
(For information only)

Bar	No.	Size	Length	Shape
A(E)	8	#4	3'-7"	—
A1(E)	14	#4	3'-10"	~
B(E)	5	#5	24'-8"	—
B1(E)	4	#4	24'-8"	—
S(E)	34	#4	6'-9"	U
S1(E)	8	#4	5'-3"	U
S2(E)	26	#4	5'-6"	U
S3(E)	8	#4	4'-4"	U
S4(E)	8	#4	3'-7"	U
U(E)	12	#5	3'-8"	U
U1(E)	2	#4	6'-8"	U

Note: See sheets 3 & 6 of 12 for additional details and Bill of Material.

MINIMUM BAR LAP

#4 bar = 2'-0"
#5 bar = 2'-6"

PD-1748-R

7-1-10

FILE NAME = 090809-sht-br1dgc.dgn	USER NAME =	DESIGNED - D.W.T.	REVISED -
HAMPTON, LENZINI AND RENWICK, INC. 3300 STEVENSON DRIVE, SUITE 201 SPRINGFIELD, ILLINOIS 62703	PLOT SCALE =	CHECKED - S.W.M.	REVISED -
ILLINOIS PROFESSIONAL DESIGN FIRM L3 / PE / SE CORP. 184-00099	PLOT DATE = 10/17/2011	DRAWN - D.A.B.	REVISED -
		CHECKED - S.W.M.	REVISED -

STATE OF ILLINOIS
WHITE COUNTY HIGHWAY DEPARTMENT

17" x 48" PPC DECK BEAM - SPANS 1 & 3
STRUCTURE NO. 097-3271

SHEET NO. 2 OF 12 SHEETS

FAS	SECTION	COUNTY	TOTAL SHEETS	SHEET NO.
881	07-00104-00-BR	WHITE	16	6
INDIAN CREEK ROAD DISTRICT			CONTRACT NO. 99451	
ILLINOIS FED. AID PROJECT				