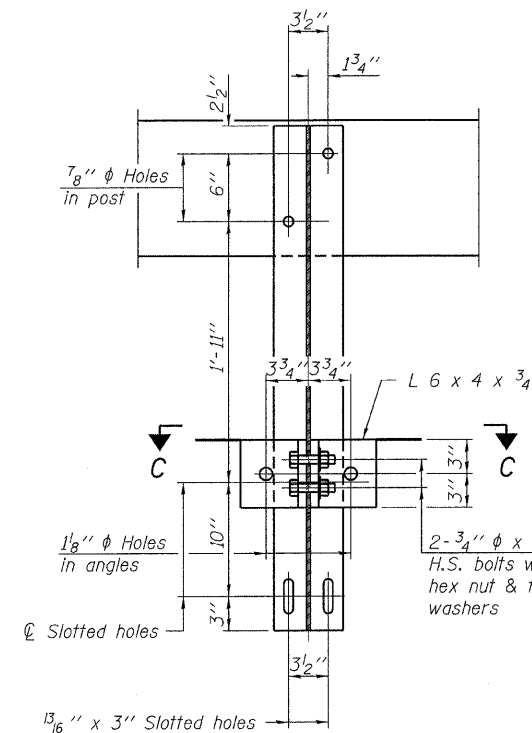
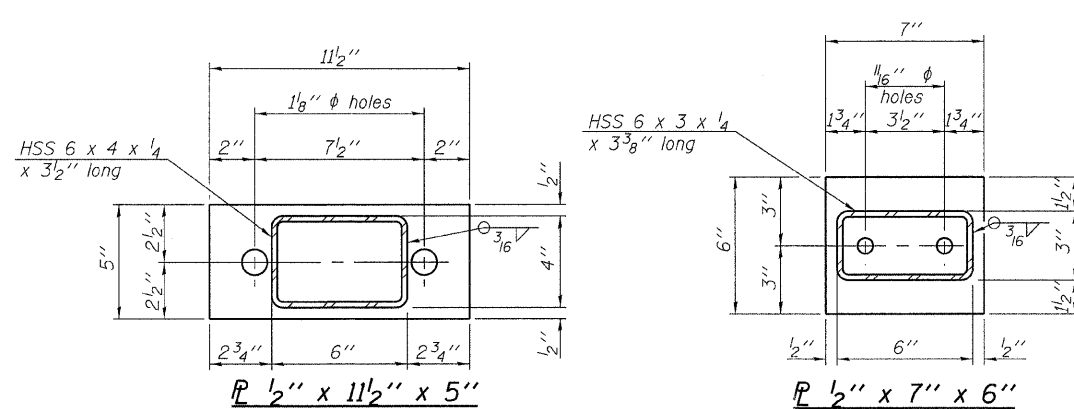
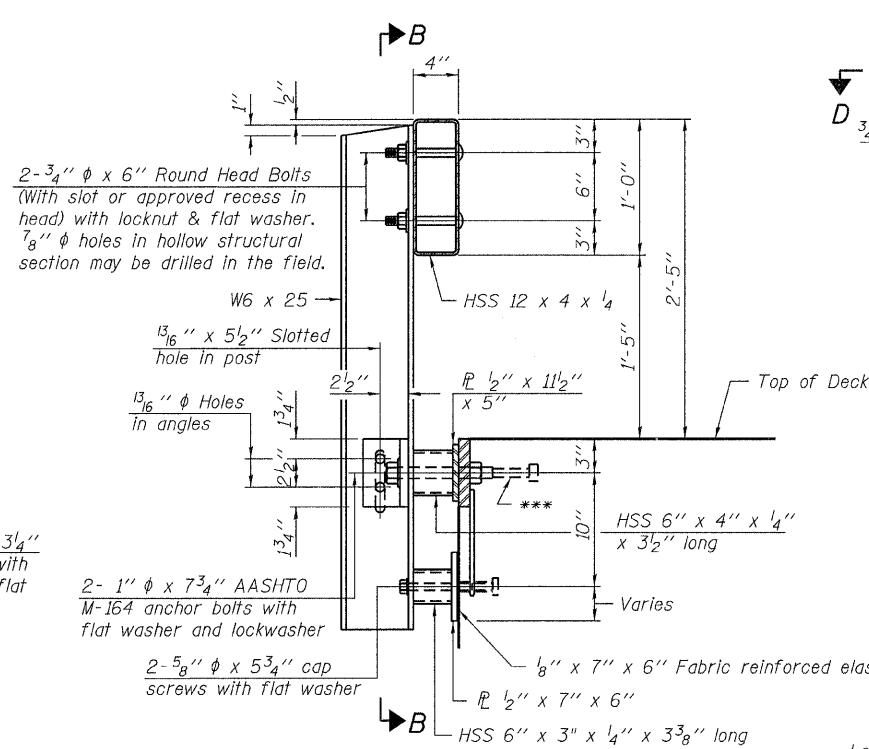


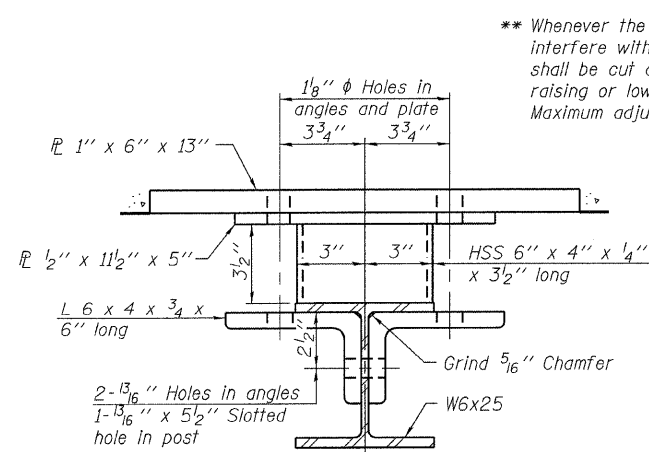
**VIEW A-A
ROUND HEAD BOLT**



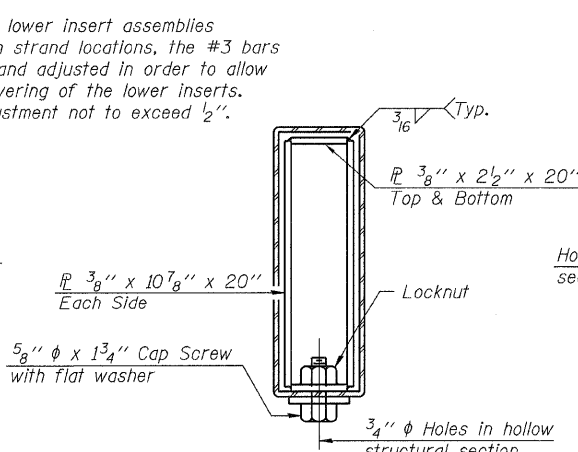
SECTION C-C



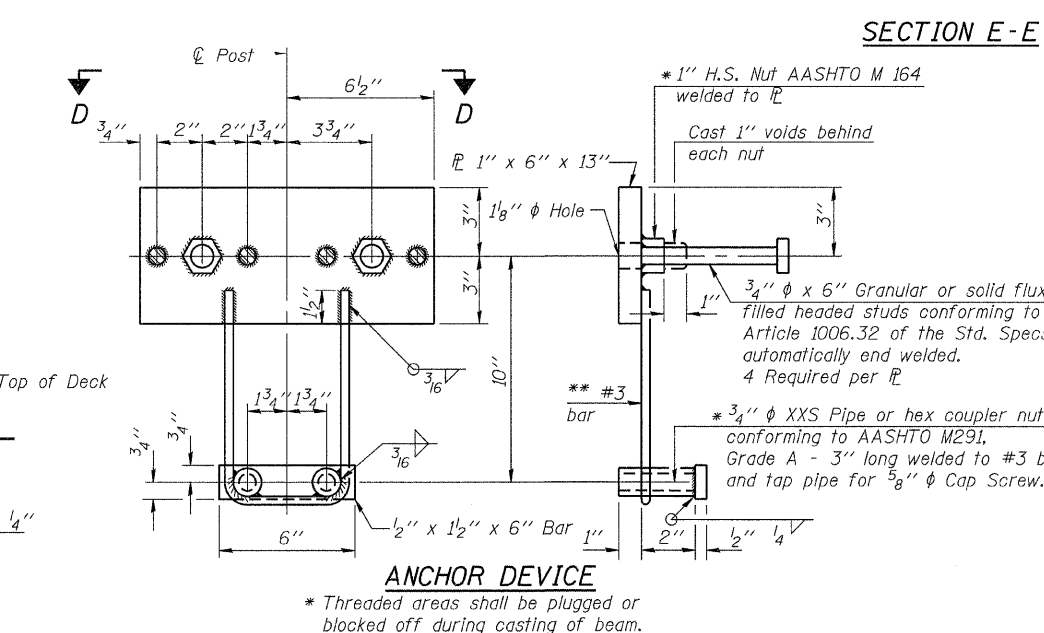
SECTION AT RAILING POST



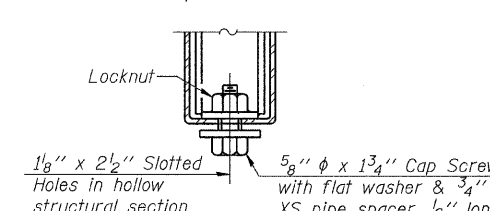
SECTION C-C



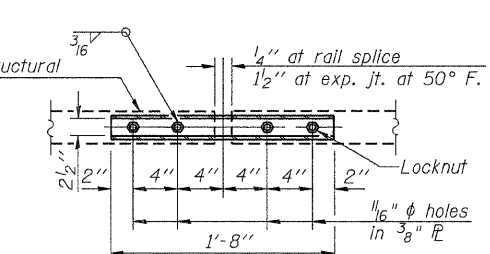
SECTIONS AT RAIL SPLICE



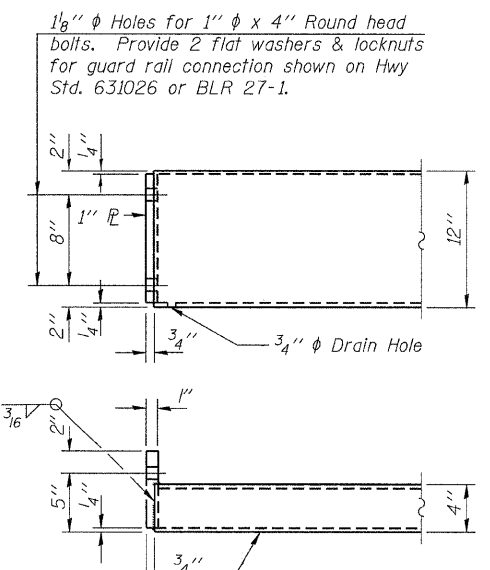
ANCHOR DEVICE



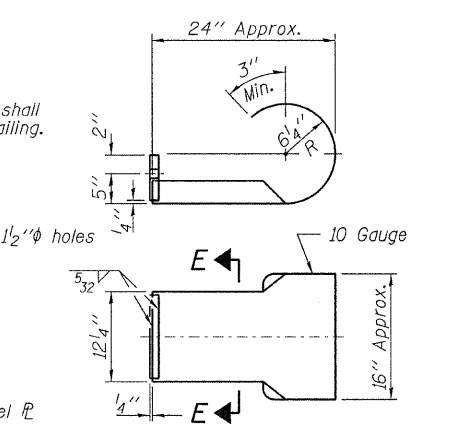
**RAIL SPLICE CONNECTION
AT EXPANSION JT.**



**PLAN-BOTT. SPLICE R
TYPICAL**



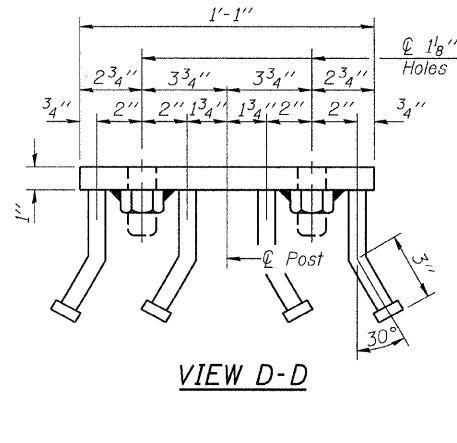
**STEEL RAILING, TYPE S-1
END OF RAIL DETAILS**



**SECTION E-E
CURLED END SECTION DETAILS**

Note: Cost of curled end sections shall be included with the Steel Railing. (4 Required)

Notes:
All field drilled holes shall be coated with an approved zinc rich paint before erection.
For multi-span bridges, sufficient 1/4" x 6" x 1'-2" galvanized steel shims shall be provided to align rail between adjacent spans. Cost included with Steel Railing, Type S-1.
All steel rail elements shall be galvanized according to Article 509.05 of the Standard Specifications.
*** The studs of the anchor devices shall be placed below the top reinforcement bars and the outermost longitudinal reinforcement bar shall be placed directly above the studs of the rail post anchor device.



VIEW D-D

BILL OF MATERIAL

Item	Unit	Quantity
Steel Railing, Type S-1	Foot	186

R-23A 7-1-10 (10'-9" Maximum Post Spacing)

FILE NAME = 090859-shr-br.ridge.dgn	USER NAME =	DESIGNED - D.W.T.	REVISED -
HAMPTON, LENZINI AND RENWICK, INC.		CHECKED - S.W.M.	REVISED -
3035 STEVENSON DRIVE, SUITE 201		DRAWN - D.A.B.	REVISED -
SPRINGFIELD, ILLINOIS 62703		CHECKED - S.W.M.	REVISED -
ILLINOIS PROFESSIONAL DESIGN FIRM			
LS / PE / SE CORP.			

**STATE OF ILLINOIS
WHITE COUNTY HIGHWAY DEPARTMENT**

**STEEL RAILING, TYPE S-1
STRUCTURE NO. 097-3271**

FAS	SECTION	COUNTY	TOTAL SHEETS	SHEET NO.
881	07-00104-00-BR	WHITE	16	11
INDIAN CREEK ROAD DISTRICT		CONTRACT NO. 99451		
ILLINOIS FED. AID PROJECT				

SHEET NO. 7 OF 12 SHEETS