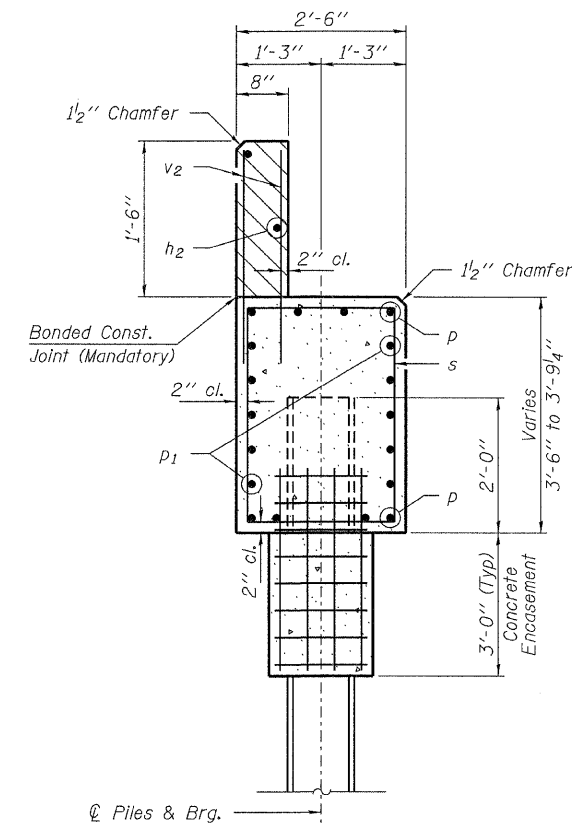
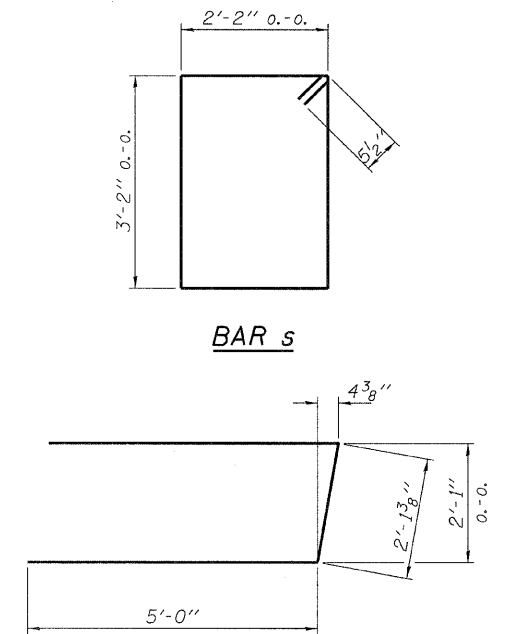


PLAN



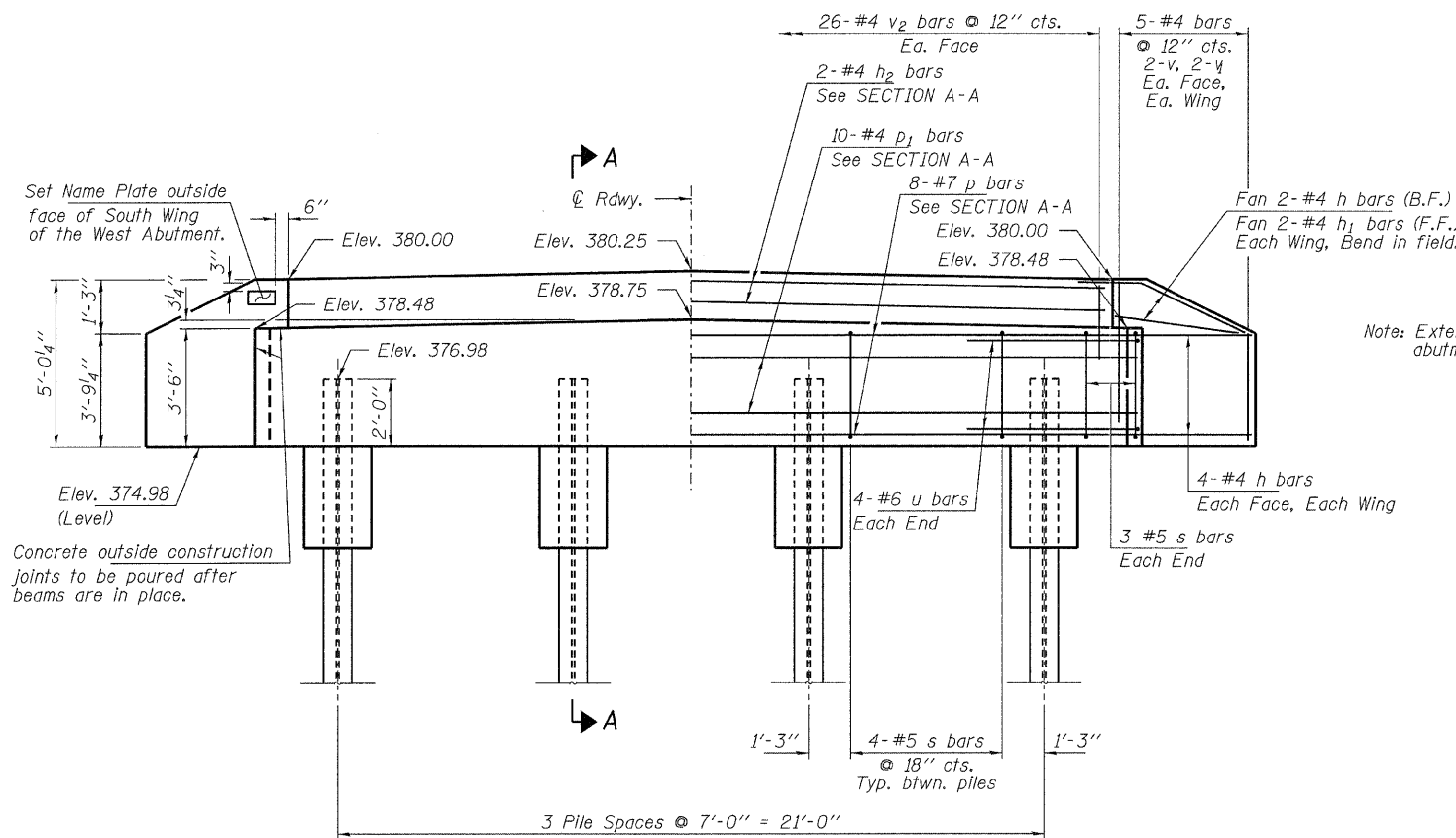
SECTION A-A

Hatched area to be poured after beams are in place.



BAR s

BAR u



ELEVATION

PILE DATA

Type: Steel HP10x42  
 No. Req'd. (2 Abuts.): 8  
 Factored Resistance Available (Rf): 184 Kips/Pile  
 Nominal Required Bearing (Rn): 335 Kips/Pile  
 Est. Length: 70 Ft/Pile (W. Abut.), 60 Ft/Pile (E. Abut.)

Notes: The Steel H-Piles shall be according to AASHTO M270 Grade 50.

BILL OF MATERIAL - 2 ABUTS.

BAR	NO.	SIZE	LENGTH	SHAPE
h	40	#4	4'-9"	—
h1	8	#4	3'-3"	—
h2	4	#4	25'-7"	—
p	16	#7	25'-7"	—
p1	20	#4	25'-7"	—
s	36	#5	11'-7"	□
u	16	#6	12'-2"	U
v	16	#4	4'-6"	—
v1	16	#4	3'-6"	—
v2	104	#4	2'-4"	—
Concrete Structures			Cu. Yd.	21.4
Concrete Encasement			Cu. Yd.	2.8
Reinforcement Bars			Pound	2,370
Steel Piles HP10x42			Foot	520
Name Plates			Each	1