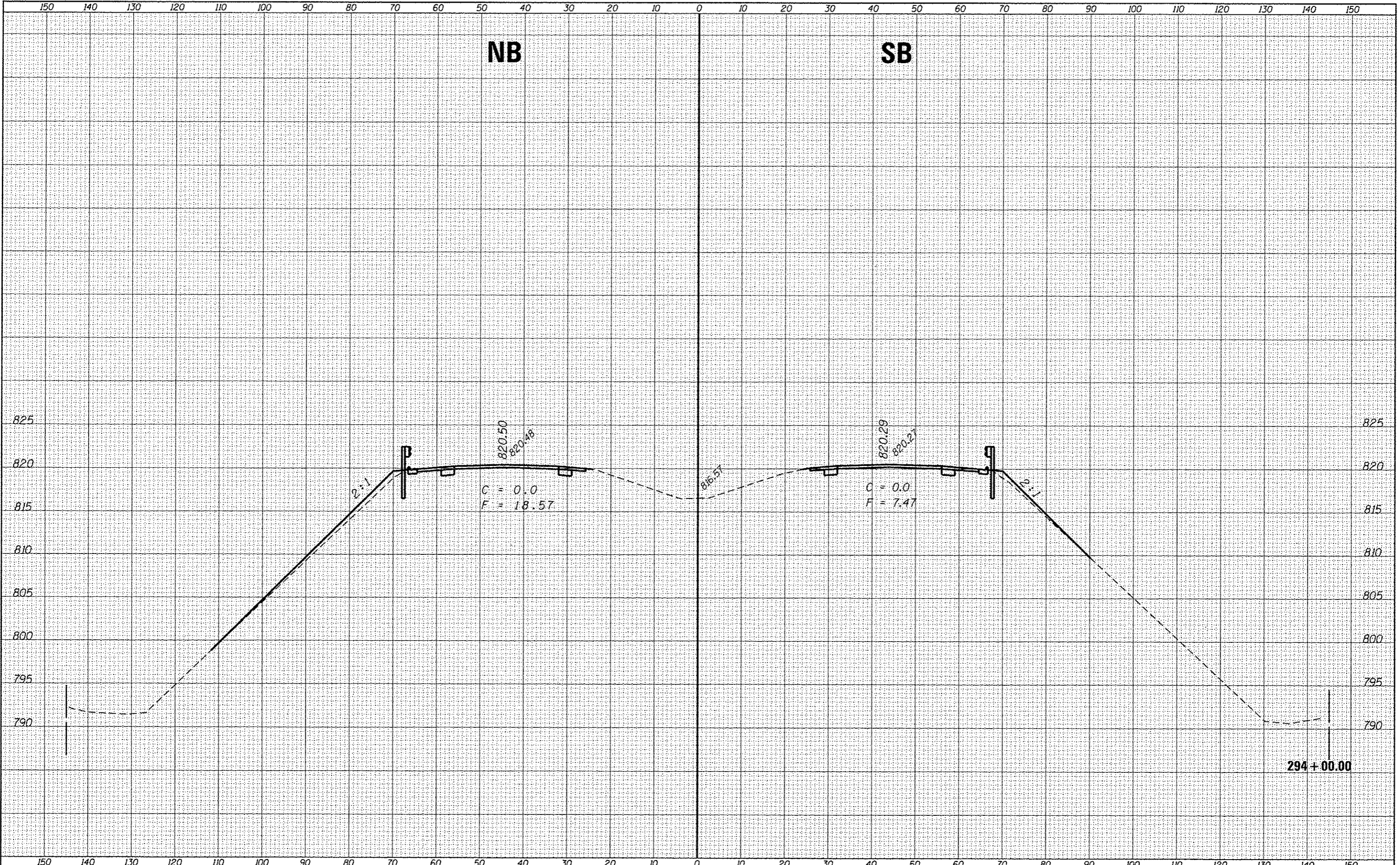


DATE	
BY	
REVIEWED	
SURVEY	
NOTE BOOK	
AREAS CHECKED	
NO.	

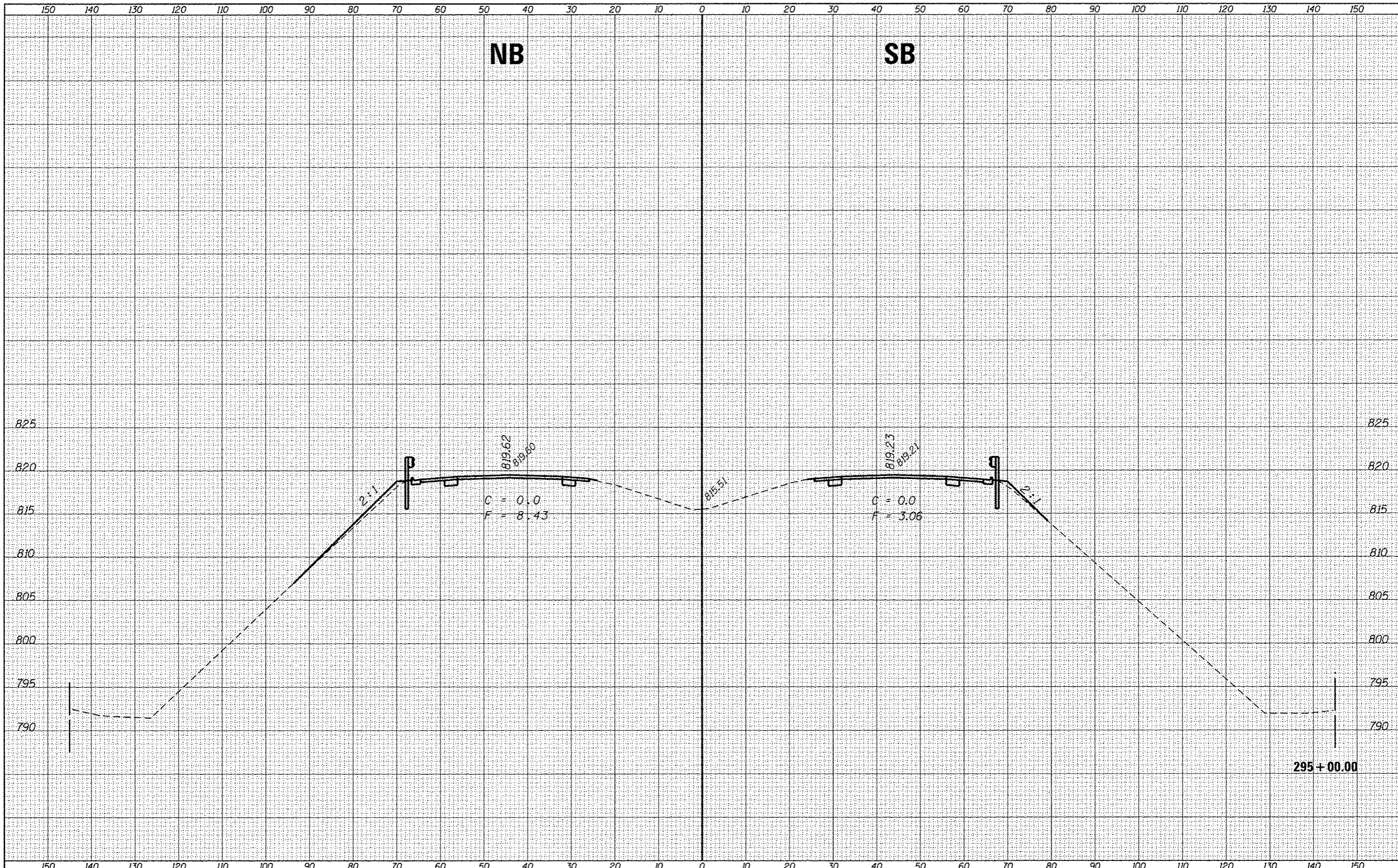
DATE	
BY	
REVIEWED	
SURVEY	
NOTE BOOK	
AREAS CHECKED	
NO.	



FILE NAME =	USER NAME = corcoranjm	DESIGNED -	REVISED -	F.A.I. RTE. =	SECTION	COUNTY	TOTAL SHEETS	SHEET NO.	
p:\11084E810\INTEG.illinois.gov\PH001\Documents\DOT Offices\District 3\Projects\0366A26\CD\DRAWING\0366A26-sht-ssht North		DRAWN	REVISED	57	(10.27-38A.27-1RS-2	FORD	233	201	
Default	PLOT SCALE = 28.0000' / in.	CHECKED -	REVISED -	CONTRACT NO. 66A26					
	PLOT DATE = 9/3/2016	DATE -	REVISED -	[ILLINOIS] FED. AID PROJECT					
STATE OF ILLINOIS DEPARTMENT OF TRANSPORTATION				CROSS SECTIONS - NORTH SECTION					
				SCALE:	SHEET	OF	SHEETS	STA. 294+00.00 TO STA. 294+00.00	

DATE	
BY	
REVISIONS	
NO.	
DATE	
BY	
REVISIONS	
NO.	
DATE	
BY	
REVISIONS	
NO.	

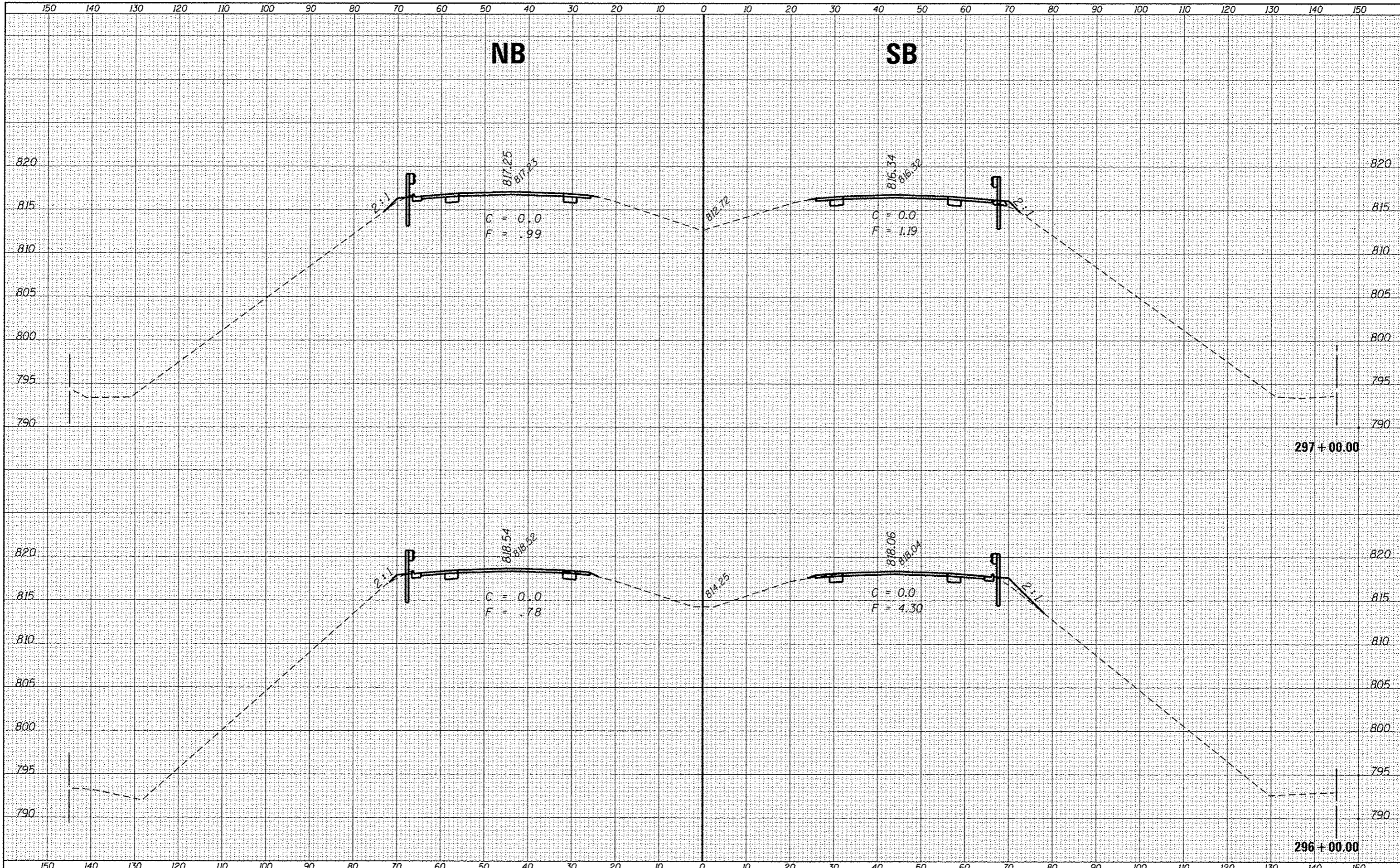
DATE	
BY	
REVISIONS	
NO.	
DATE	
BY	
REVISIONS	
NO.	
DATE	
BY	
REVISIONS	
NO.	



FILE NAME =	USER NAME = corcoranm	DESIGNED -	REVISED -	STATE OF ILLINOIS DEPARTMENT OF TRANSPORTATION	CROSS SECTIONS - NORTH SECTION	F.A.I. RTE.	SECTION	COUNTY	TOTAL SHEETS	SHEET NO.
Default	DOT Offices\District 3\Projects\0366A26\CORCORAN\Drawings\0366A26-shr-ssht North	DRAWN	REVISED			57	(10,27-3BA,27-1)RS-2	FORD	233	202
	PLOT SCALE = 20,0000' / in.	CHECKED -	REVISED -			CONTRACT NO. 66A26				
	PLOT DATE = 8/3/2016	DATE -	REVISED -			ILLINOIS FED. AID PROJECT				
SCALE:						SHEET OF SHEETS		STA. 295+00.00 TO STA. 295+00.00		

DATE	
BY	
DESIGNED	
PLOTTED	
TEMPLATE	
NOTE BOOK	
AREAS CHECKED	
NO.	

DATE	
BY	
DESIGNED	
PLOTTED	
TEMPLATE	
NOTE BOOK	
AREAS CHECKED	
NO.	

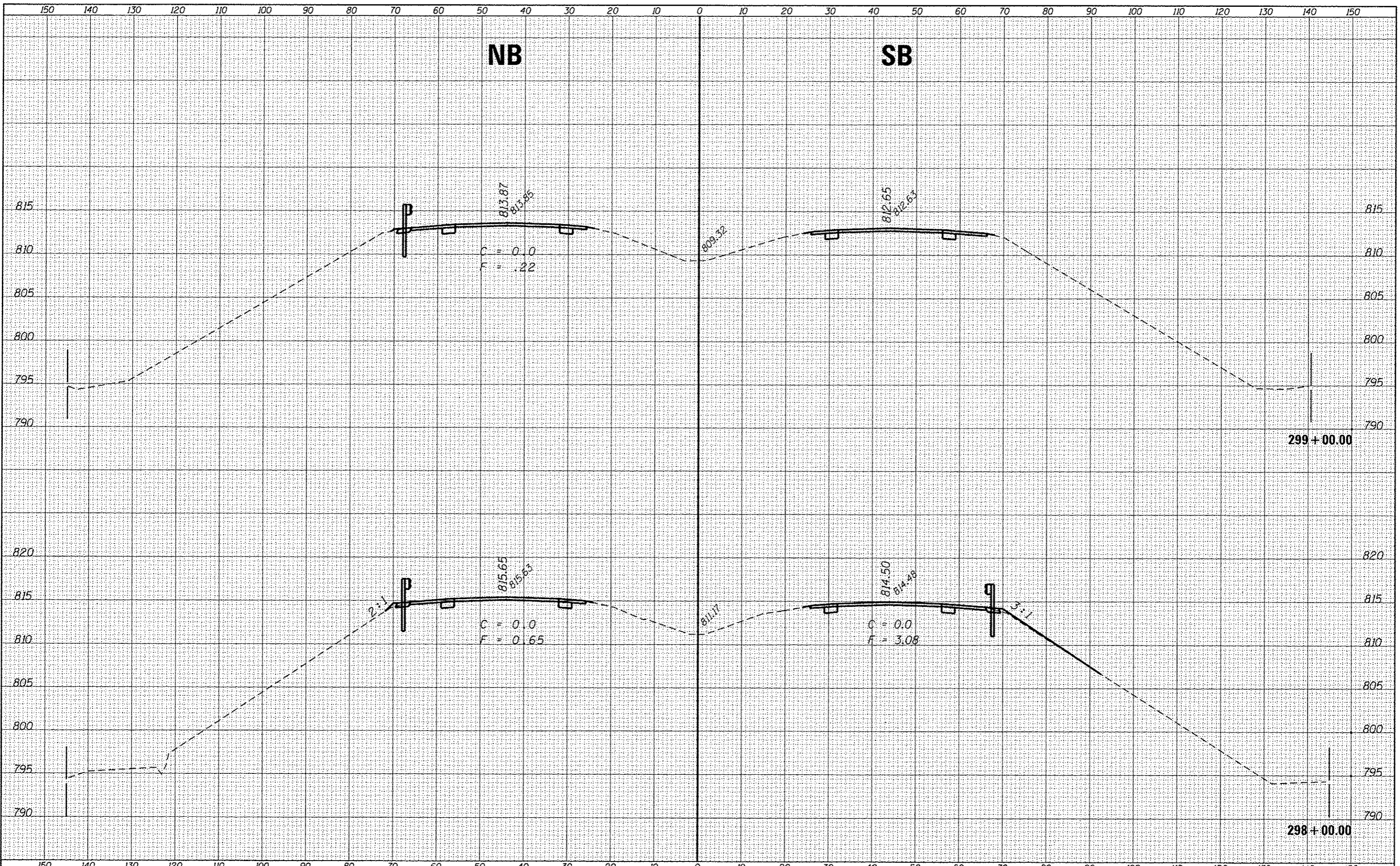


FILE NAME =	USER NAME = corcoranjm	DESIGNED -	REVISED -	F.A.J. RTE.	SECTION	COUNTY	TOTAL SHEETS	SHEET NO.
p:\11084EBID\INTEG.ILLINOIS.GOV\11001\Documents\1001\0ffices\District 3\Projects\0366A26\0366A26\Drawings\0366A26-sht-north		DRAM	REVIS	57	(10,27-38A,27-1RS-2	FORD	233	203
Default	PLOT SCALE = 20.0000' / in.	CHECKED -	REVISED -	CONTRACT NO. 66A26				
	PLOT DATE = 8/3/2016	DATE -	REVISED -	ILLINOIS FED. AID PROJECT				

STATE OF ILLINOIS
DEPARTMENT OF TRANSPORTATION

CROSS SECTIONS - NORTH SECTION

SCALE: SHEET OF SHEETS STA. 296+00.00 TO STA. 297+00.00



DATE	
BY	
FINAL SURVEY	
REVISIONS	
NOTE BOOK	
AREAS CHECKED	

DATE	
BY	
ORIGINAL SURVEY	
REVISIONS	
NOTE BOOK	
AREAS CHECKED	

FILE NAME =	USER NAME = carceranin	DESIGNED -	REVISED -
p:\11084EBIDINTEG\Illinois.gov\PW\DOT\Documents\DOT Offices\District 3\Projects\0366A26\CAD\Drawings\0366A26-sht-ksst North		DRAWN	REVISED
Default	PLOT SCALE = 28.8000 / 1 in.	CHECKED -	REVISED -
	PLOT DATE = 8/3/2016	DATE -	REVISED -

**STATE OF ILLINOIS
DEPARTMENT OF TRANSPORTATION**

CROSS SECTIONS - NORTH SECTION			
SCALE:	SHEET	OF	SHEETS
			STA. 298+00.00 TO STA. 299+00.00

F.A.J. RTE.	SECTION	COUNTY	TOTAL SHEETS	SHEET NO.
57	(10.27-38A,27-1)RS-2	FORD	233	204
CONTRACT NO. 66A26			ILLINOIS FED. AID PROJECT	

NB

SB

809.47
809.45

808.91
808.89

804.89

301+00.00

811.82
811.80

810.79
810.77

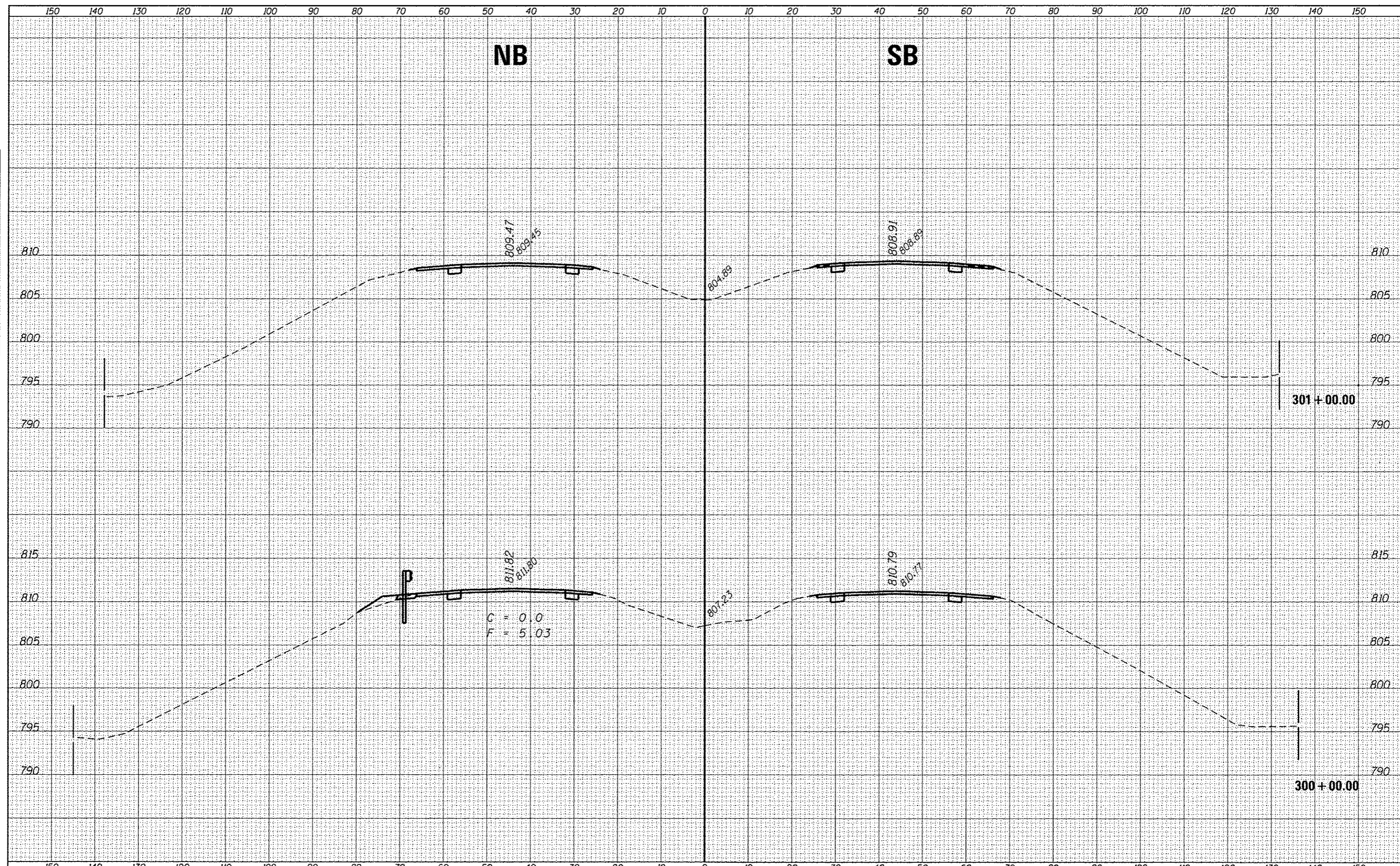
807.23

G = 0.0
F = 5.03

300+00.00

DATE	
BY	
APPROVED	
DESIGNED	
PLOTTED	
TEMPLATE	
NOTE BOOK	
AREAS CHECKED	
NO.	

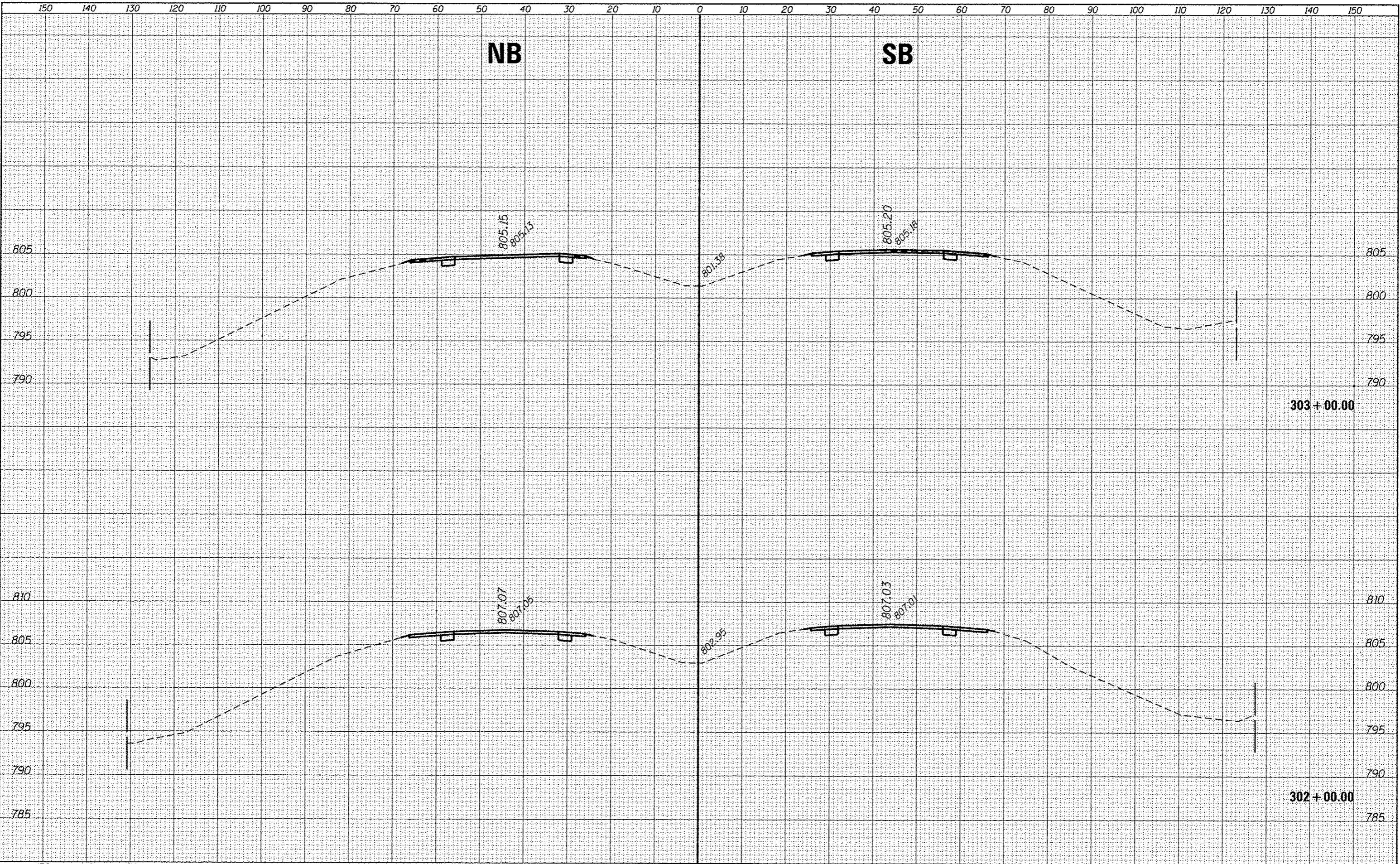
DATE	
BY	
APPROVED	
DESIGNED	
PLOTTED	
TEMPLATE	
NOTE BOOK	
AREAS CHECKED	
NO.	



FILE NAME =	USER NAME = cooaronm	DESIGNED -	REVISED -	<p align="center">STATE OF ILLINOIS DEPARTMENT OF TRANSPORTATION</p> <p align="center">CROSS SECTIONS - NORTH SECTION</p>	F.A.I. RTE.	SECTION	COUNTY	TOTAL SHEETS	SHEET NO.
p:\11084EBIDINTEG\Illinois.gov\PIWIDOT\Documents\DOT Offices\Dist\proj 2\Projects\0366A26\CD\DRAWN\0\sheets\0366A26-ahs-kshht North		DRAWN -	REVISED -		57	(10,27-38A,27-1)RS-2	FORD	233	205
Default		CHECKED -	REVISED -		CONTRACT NO. 66A26		ILLINOIS FED. AID PROJECT		
		DATE -	REVISED -		SCALE:	SHEET	OF	SHEETS	STA. 300+00.00

NB

SB



303+00.00

302+00.00

DATE	
BY	
REVISIONS	
NO.	
DATE	
BY	
REVISIONS	
NO.	
DATE	
BY	
REVISIONS	
NO.	

DATE	
BY	
REVISIONS	
NO.	
DATE	
BY	
REVISIONS	
NO.	
DATE	
BY	
REVISIONS	
NO.	

FILE NAME = p:\118846BID\ITEC\Illinois.gov\WIDOT\Documents\11001 Offices\District 3\Projects\0366A26\CD\DRAWN\0366A26-sht-nsh-t North

USER NAME = corcoran
 DESIGNED -
 CHECKED -
 DATE - 8/3/2016

REVISIONS
 REVISED -
 REVISED -
 REVISED -
 REVISED -

STATE OF ILLINOIS
 DEPARTMENT OF TRANSPORTATION

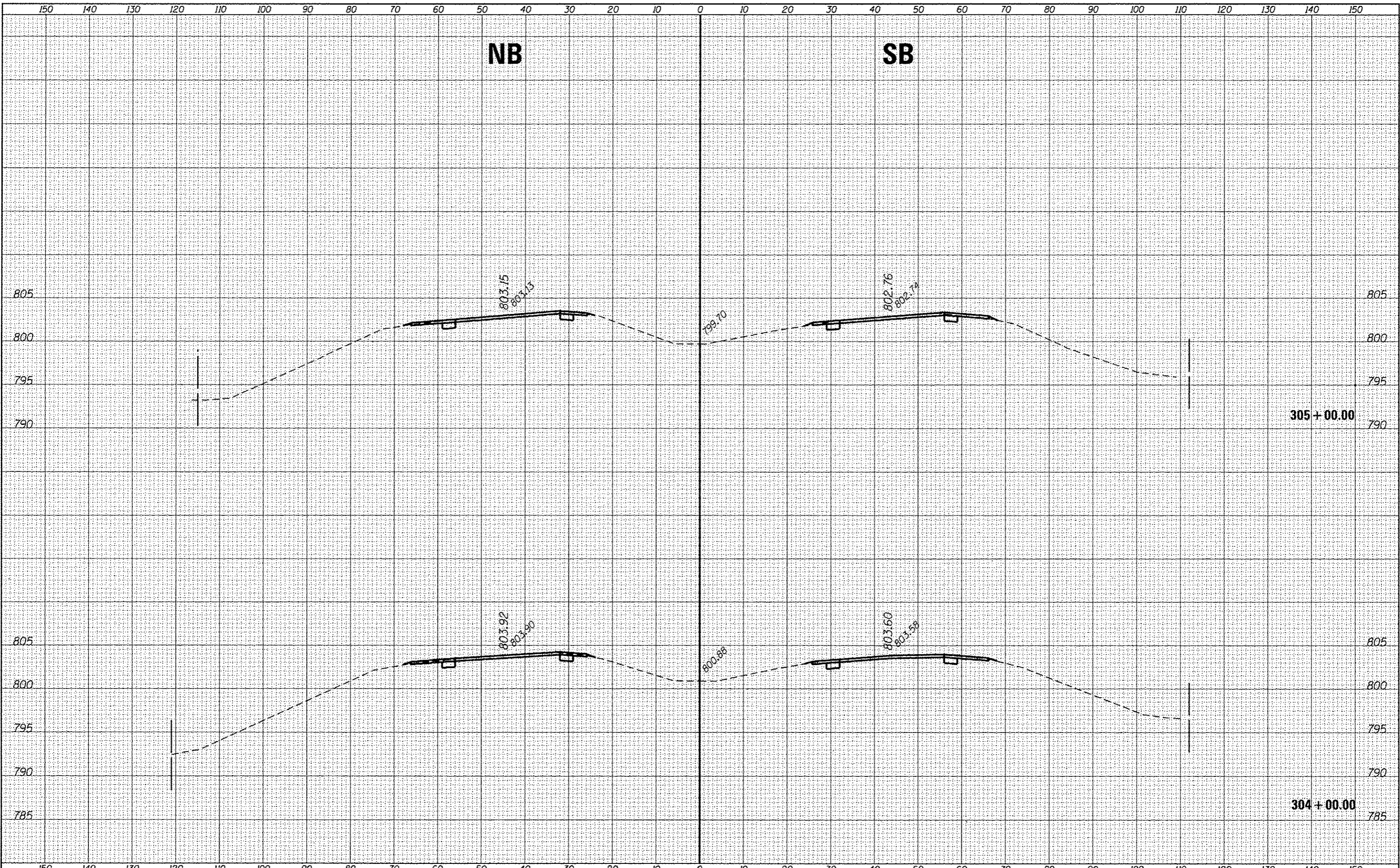
CROSS SECTIONS - NORTH SECTION

SCALE: SHEET OF SHEETS STA. 302+00.00 TO STA. 303+00.00

F.A.I. RTE.	SECTION	COUNTY	TOTAL SHEETS	SHEET NO.
57	(10.27-38A.27-1)RS-2	FORD	233	206
			CONTRACT NO. 66A26	
ILLINOIS FED. AID PROJECT				

NB

SB



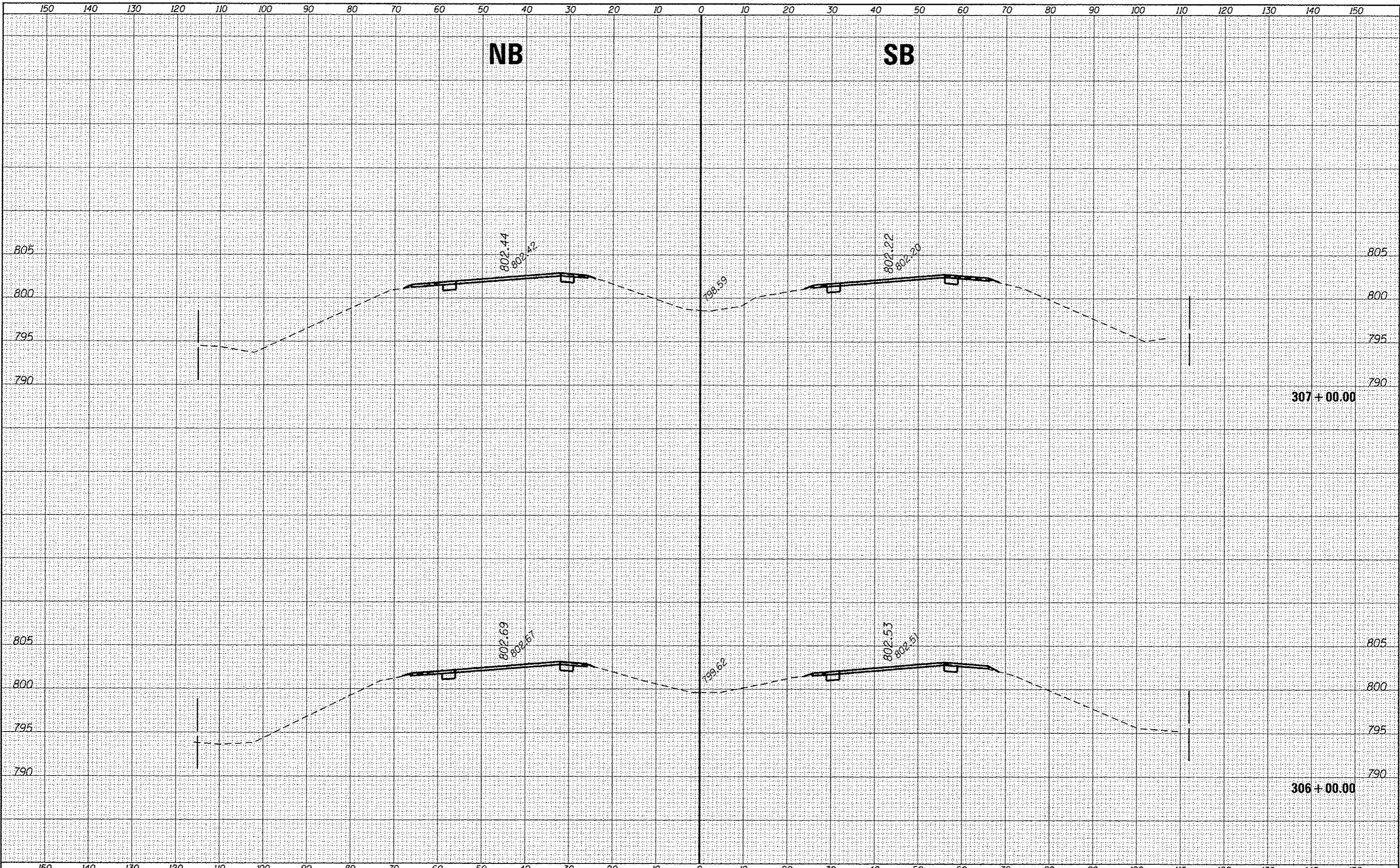
DATE	
BY	
FINAL SURVEY	
PLOTTED	
NOTE BOOK	
AREAS CHECKED	
NO.	

DATE	
BY	
ORIGINAL SURVEY	
PLOTTED	
NOTE BOOK	
AREAS CHECKED	
NO.	

FILE NAME =	USER NAME = corcoranm	DESIGNED -	REVISED -	STATE OF ILLINOIS DEPARTMENT OF TRANSPORTATION	CROSS SECTIONS - NORTH SECTION				F.A.I. RTE.	SECTION	COUNTY	TOTAL SHEETS	SHEET NO.
p:\IL\84EB\INTEG\Illinois.gov\PWIDOT\Documents\DDOT Offices\District 3\Projects\0366A25\CDRAWN\Drawings\0366A26-shr-xshh North		CHECKED -	REVISED -		57	(10,27-38A,27-1)RS-2	FORD	233	207				
Default		DATE -	REVISED -		SCALE:	SHEET	OF	SHEETS	STA. 304+00.00	TO STA. 305+00.00	CONTRACT NO. 66A26		
											ILLINOIS FED. AID PROJECT		

NB

SB



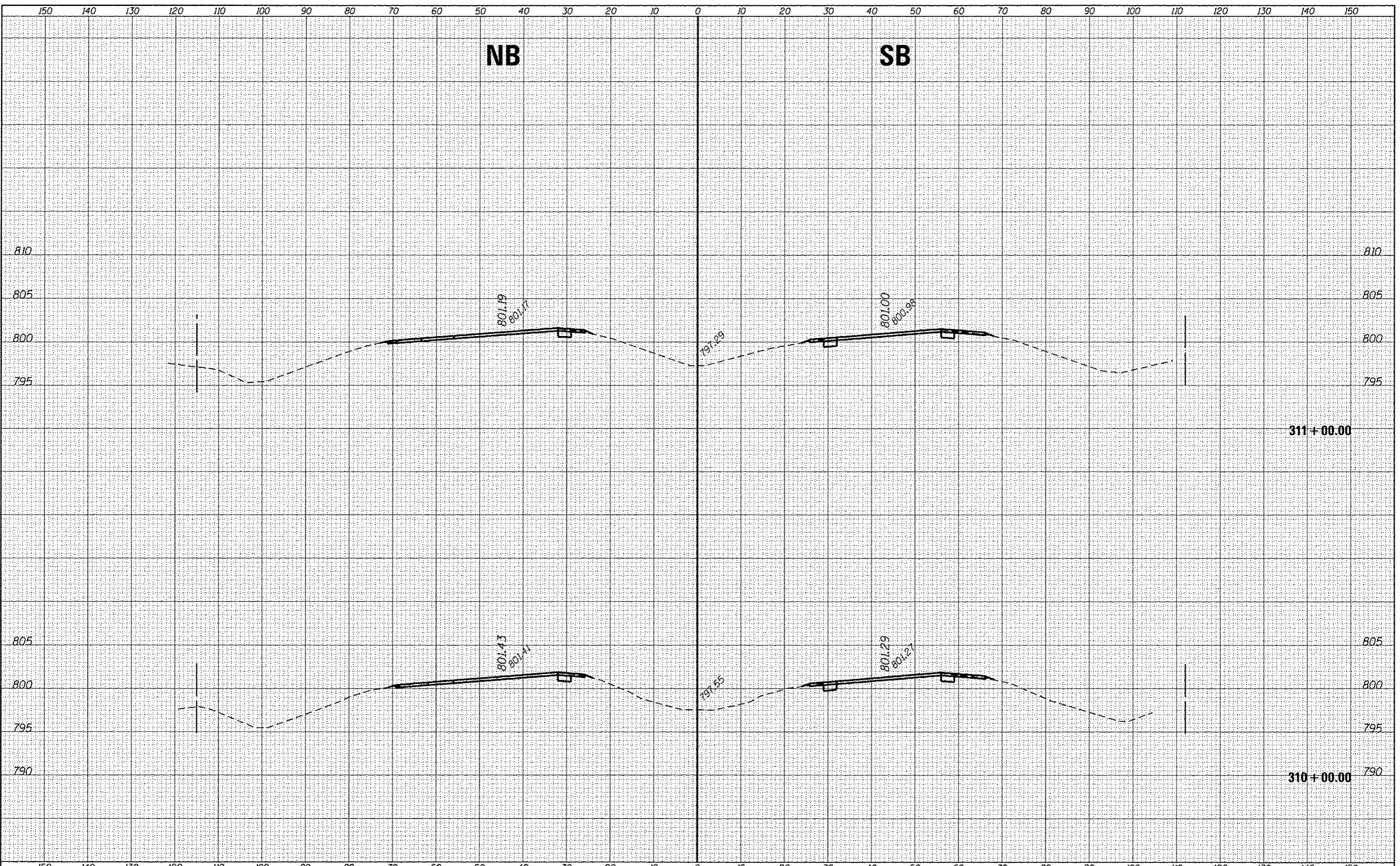
DATE	
BY	
FINAL SURVEY	
SURVEYED	
PLOTTED	
DATE	
NOTE BOOK	
NO.	
AREAS CHECKED	

DATE	
BY	
ORIGINAL SURVEY	
SURVEYED	
PLOTTED	
DATE	
NOTE BOOK	
NO.	
AREAS CHECKED	

FILE NAME -	USER NAME - zcorcoran	DESIGNED -	REVISED -	SCALE:	SHEET	OF	SHEETS	STA. 306+00.00	TO STA. 307+00.00	F.A.I. RTE. 57	SECTION (10,27-38A,27-1)RS-2	COUNTY FORD	TOTAL SHEETS 233	SHEET NO. 208	
STATE OF ILLINOIS DEPARTMENT OF TRANSPORTATION				CROSS SECTIONS - NORTH SECTION				ILLINOIS FED. AID PROJECT							
DRAWN				CHECKED				CONTRACT NO. 66A26							
PLOT SCALE = 28,8000 "/ in.				DATE											
PLOT DATE = 8/3/2016															

NB

SB



311+00.00

310+00.00

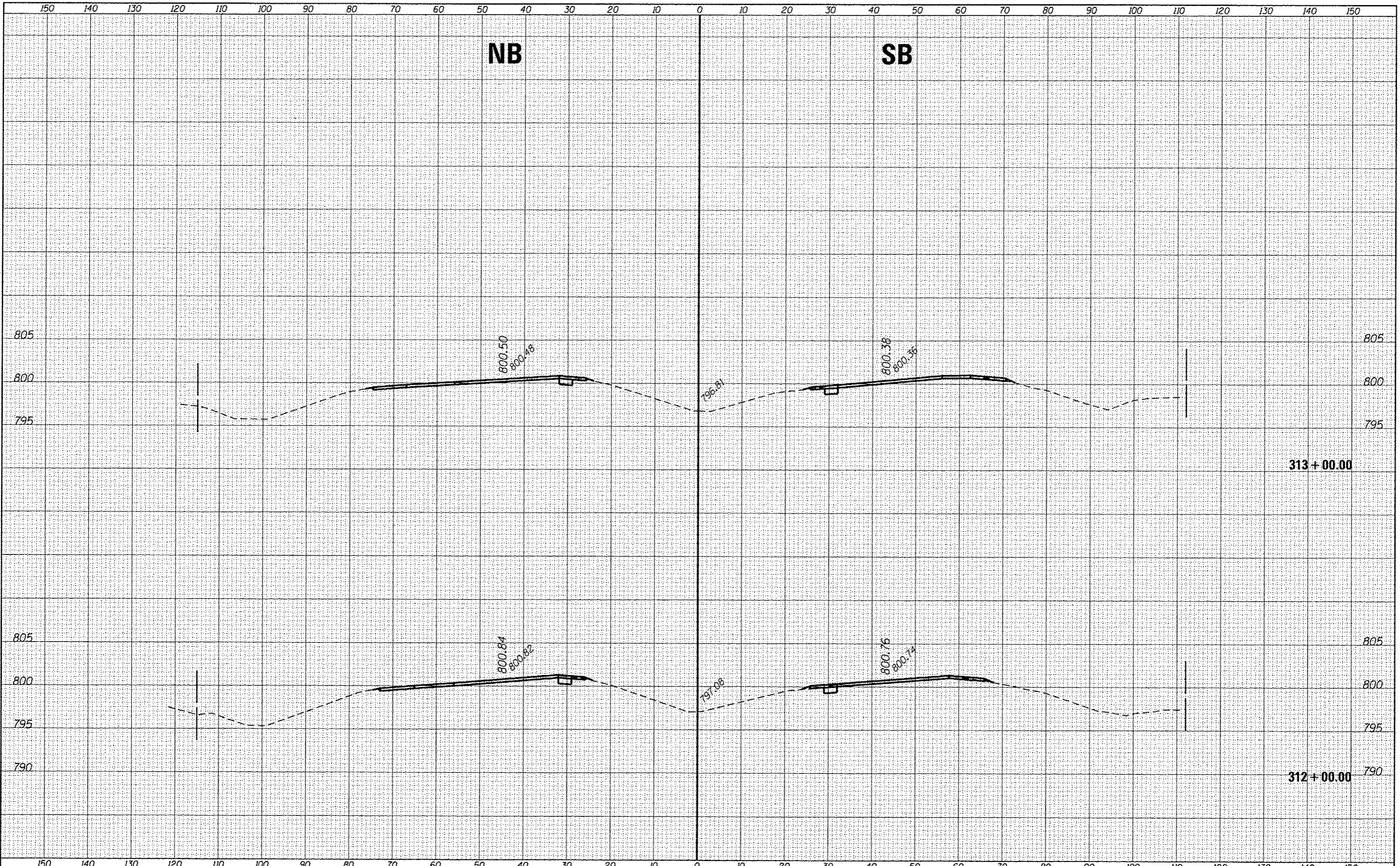
DATE	
BY	
DESIGNED	
REVISIONS	
NOTED	
CHECKED	
DATE	

DATE	
BY	
DESIGNED	
REVISIONS	
NOTED	
CHECKED	
DATE	

FILE NAME	USER NAME	DESIGNED	REVISIONS	STATE OF ILLINOIS DEPARTMENT OF TRANSPORTATION	CROSS SECTIONS - NORTH SECTION			F.A.J. RTE.	SECTION	COUNTY	TOTAL SHEETS	SHEET NO.
p:\11084EBID\INTEG.illinois.gov\PI\DOT\Documents\DOT Offices\Dist\jcs 3\Projects\0366A26\CD\Drawings\Sheets\0366A26-sht-ssht North	concoranm	03/2016	0					57	(10,27-38A,27-1)RS-2	FORD	233	210
PLOT SCALE = 20,0000' / 1"	CHECKED	REVISIONS	REVISIONS		CONTRACT NO. 66A26							
PLOT DATE = 8/3/2016	DATE	REVISIONS	REVISIONS		ILLINOIS FED. AID PROJECT							

DATE	
BY	
SURVEYED	
PLANNED	
TEMP. DATE	
NOTE BOOK	
AREAS CHECKED	
NO.	

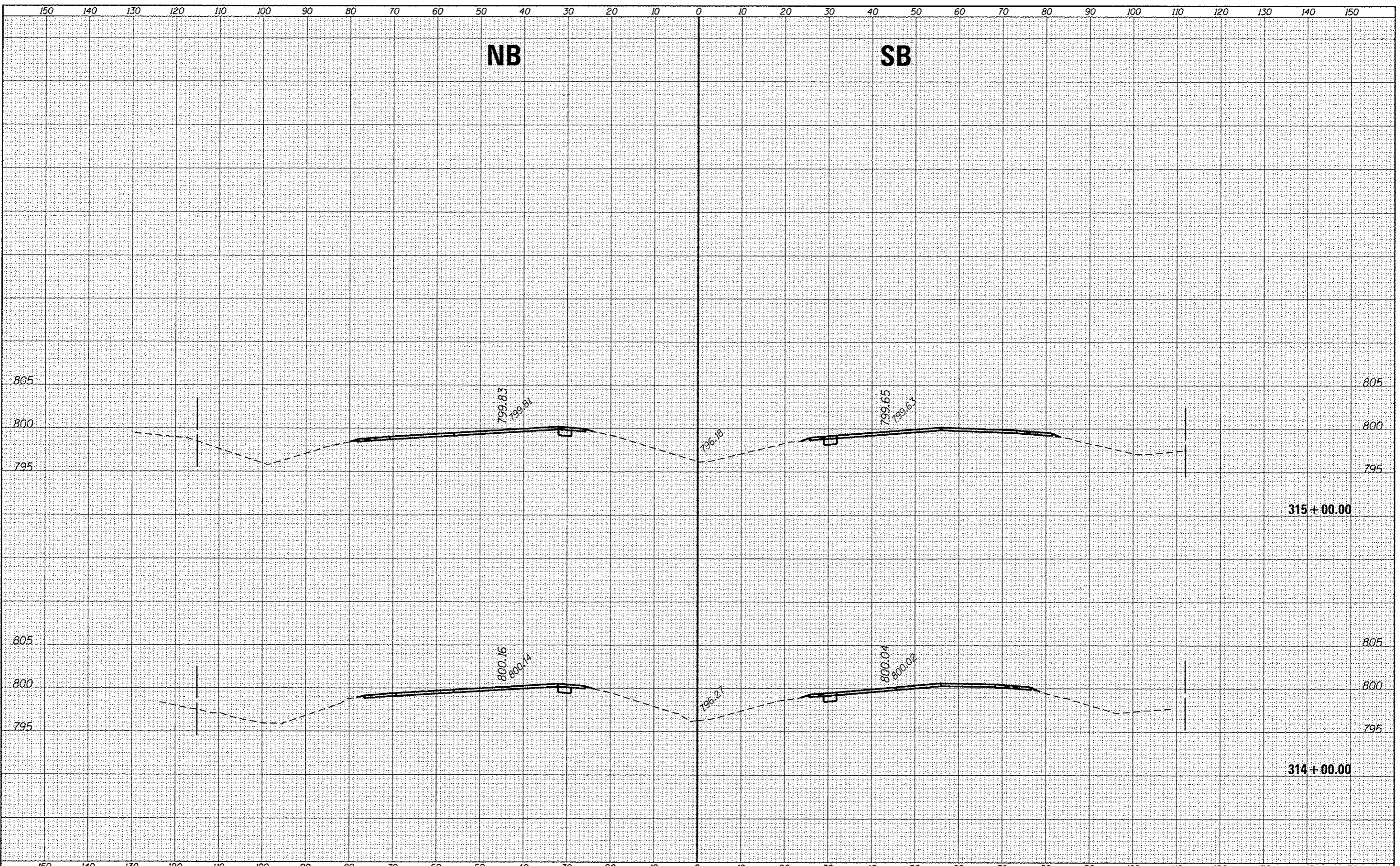
DATE	
BY	
DESIGNED	
PLANNED	
TEMP. DATE	
NOTE BOOK	
AREAS CHECKED	
NO.	



FILE NAME =	USER NAME =	DESIGNED -	REVISED -	STATE OF ILLINOIS DEPARTMENT OF TRANSPORTATION	CROSS SECTIONS - NORTH SECTION			F.A.I. RTE.	SECTION	COUNTY	TOTAL SHEETS	SHEET NO.
g:\11084681\INTEG.illinois.gov\11001\Documents\11001\Offices\District 3\Projects\0366A26\CDRAWING\shets\0366A26-aht-ssht North		DRAWN	REVISED					57	(10,27-38A,27-1)RS-2	FORD	233	211
Default		CHECKED -	REVISED -		SCALE:	SHEET	OF	SHEETS	STA. 312+00.00	TO STA. 313+00.00	CONTRACT NO. 66A26	
		DATE -	REVISED -								ILLINOIS FED. AID PROJECT	

NB

SB



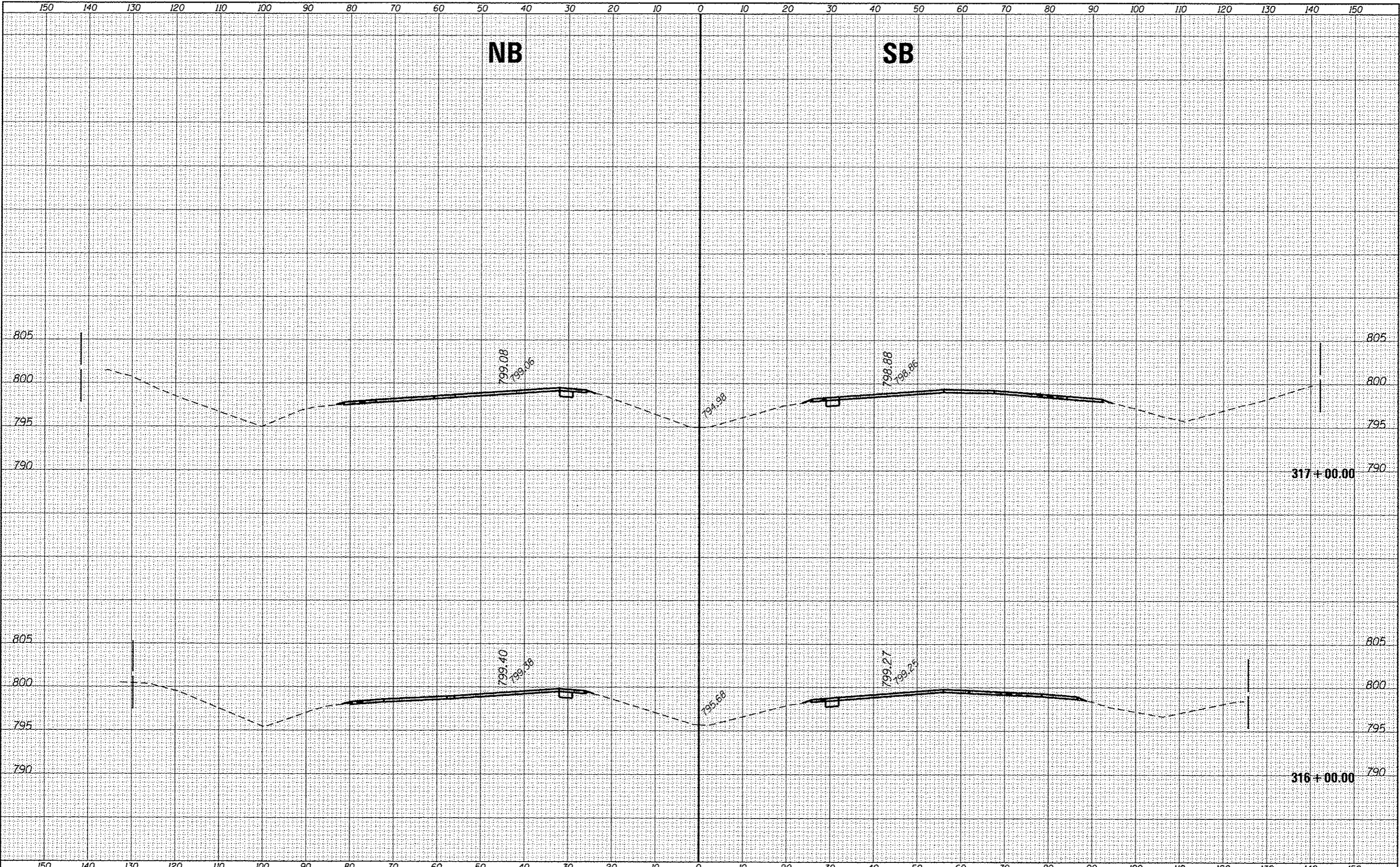
DATE	
BY	
FINAL SURVEY	
NOTED	
TEMPLATE	
AREAS CHECKED	
NO.	

DATE	
BY	
FINAL SURVEY	
NOTED	
TEMPLATE	
AREAS CHECKED	
NO.	

FILE NAME =	USER NAME = cc-coronin	DESIGNED -	REVISED -	STATE OF ILLINOIS DEPARTMENT OF TRANSPORTATION	CROSS SECTIONS - NORTH SECTION		F.A.I. RTE.	SECTION	COUNTY	TOTAL SHEETS	SHEET NO.
p:\11084EBID\INTEG..Illinois.gov\1001\Documents\11001\DOT Offices\District 3\Projects\0366A26\CD\0366A26-shr-kasht North		DRAWN	REVISED		57	(10,27-38A,27-11RS-2	FORD	233	212		
Default		CHECKED -	REVISED -		SCALE: SHEET OF SHEETS STA. 314+00.00 TO STA. 315+00.00		CONTRACT NO. 66A26		ILLINOIS FED. AID PROJECT		
		DATE -	REVISED -								

NB

SB



DATE	
BY	
SURVEYED	
PLOTTED	
NOTE BOOK	
AREAS CHECKED	

DATE	
BY	
SURVEYED	
PLOTTED	
NOTE BOOK	
AREAS CHECKED	

FILE NAME =	USER NAME = corcoran	DESIGNED -	REVISED -
...	...	CHECKED -	REVISED -
...	...	DATE -	REVISED -

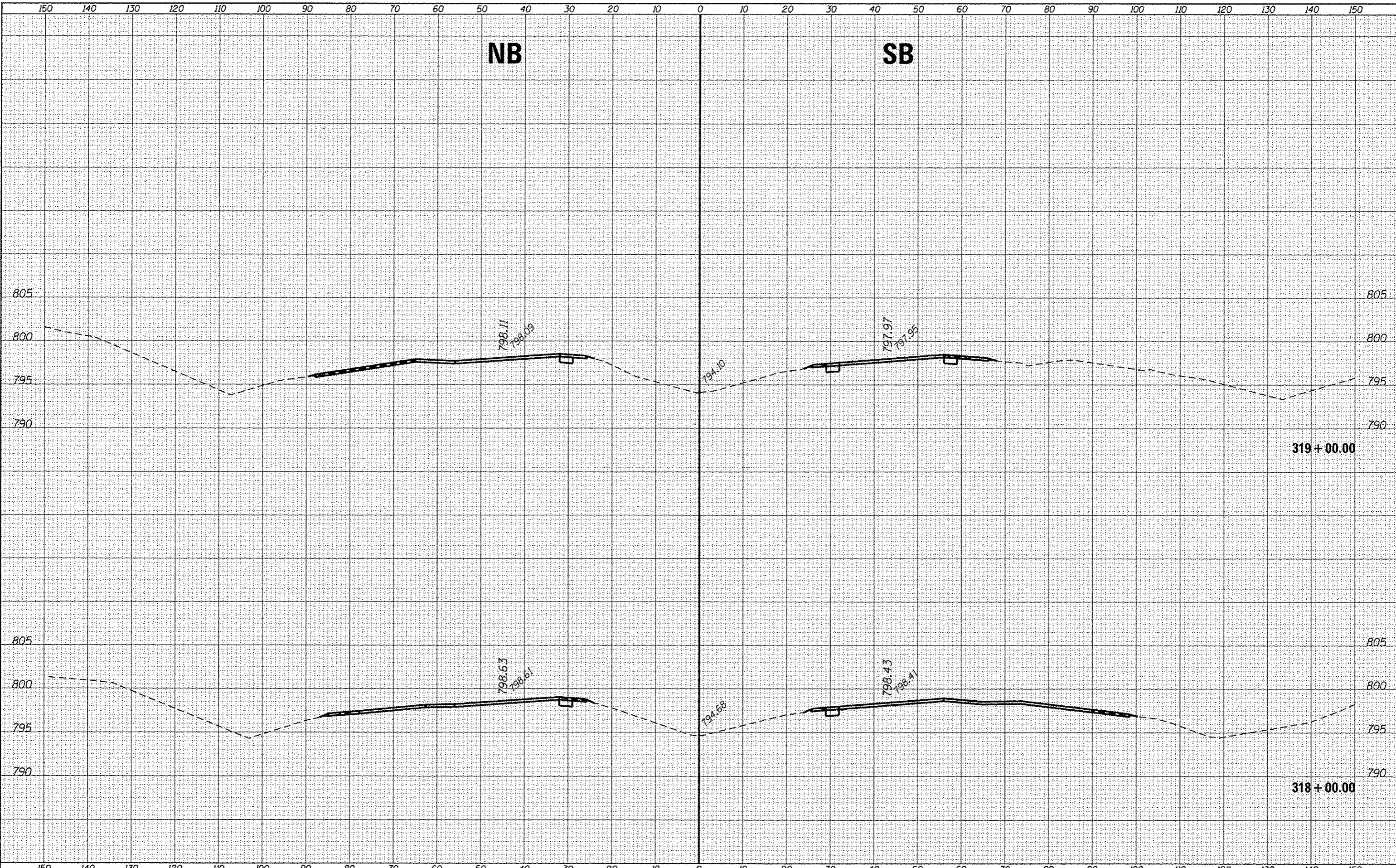
STATE OF ILLINOIS
DEPARTMENT OF TRANSPORTATION

CROSS SECTIONS - NORTH SECTION
SCALE: SHEET OF SHEETS STA. 316+00.00 TO STA. 317+00.00

F.A.I. R.T.E.	SECTION	COUNTY	TOTAL SHEETS	SHEET NO.
57	(10,27-38A,27-1)RS-2	FORD	233	213
CONTRACT NO. 66A26			ILLINOIS FED. AID PROJECT	

NB

SB



DATE	
BY	
FILED	
SURVEY	
NOTE BOOK	
NO.	
AREAS CHECKED	

DATE	
BY	
FILED	
SURVEY	
NOTE BOOK	
NO.	
AREAS CHECKED	

FILE NAME	USER NAME	DESIGNED	REVISED
Default	carolanm	-	-
		CHECKED	REVISED
		-	-
		DATE	REVISED
		-	-

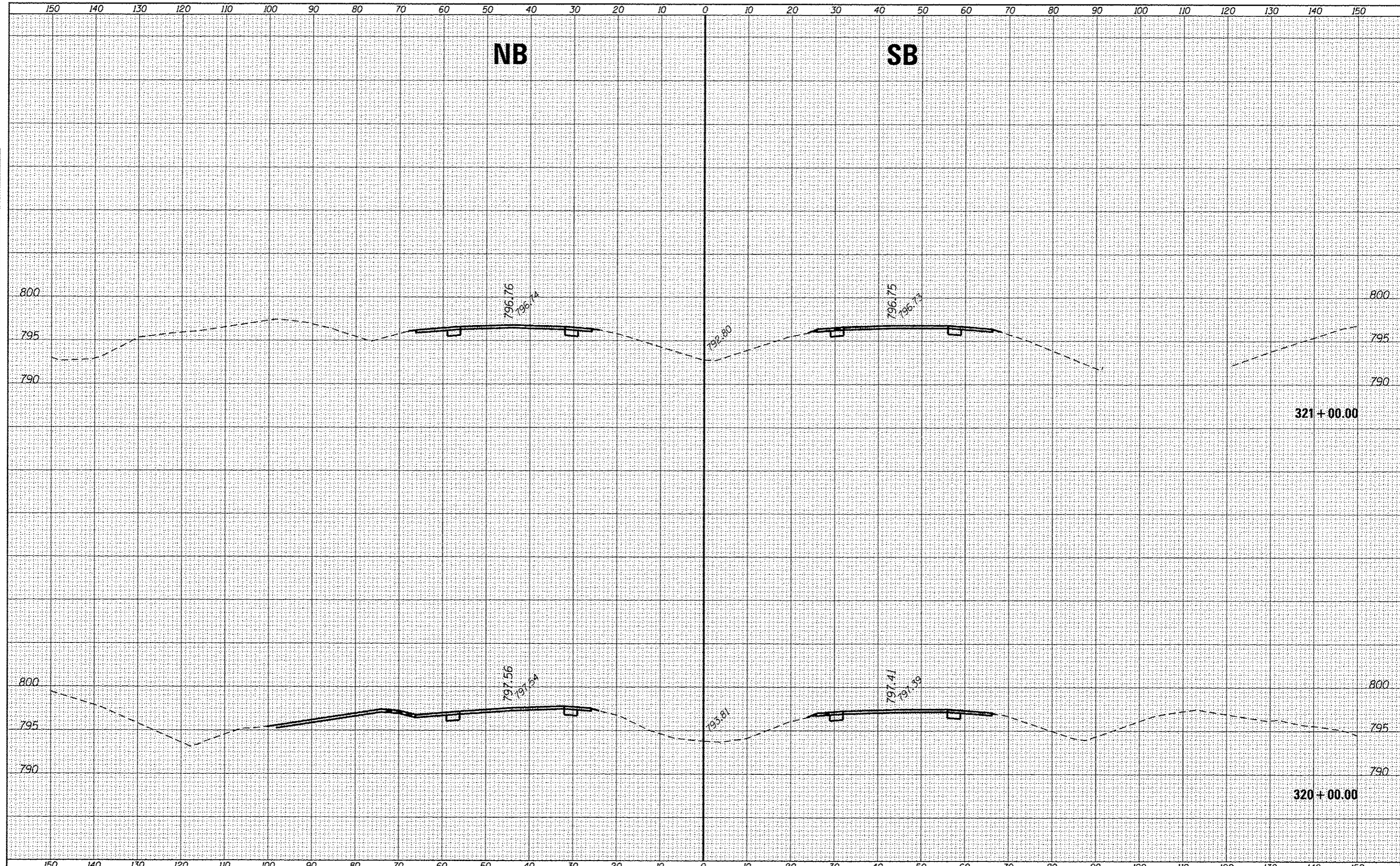
STATE OF ILLINOIS
DEPARTMENT OF TRANSPORTATION

CROSS SECTIONS - NORTH SECTION			
SCALE:	SHEET	OF	SHEETS
			STA. 318+00.00 TO STA. 319+00.00

F.A.I. RTE.	SECTION	COUNTY	TOTAL SHEETS	SHEET NO.
57	(10,27-38A,27-1)R5-2	FORD	233	214
CONTRACT NO. 66A26				
ILLINOIS FED. AID PROJECT				

DATE	
BY	
REVISIONS	
NO.	
DATE	
BY	
REVISIONS	
NO.	
DATE	
BY	
REVISIONS	
NO.	

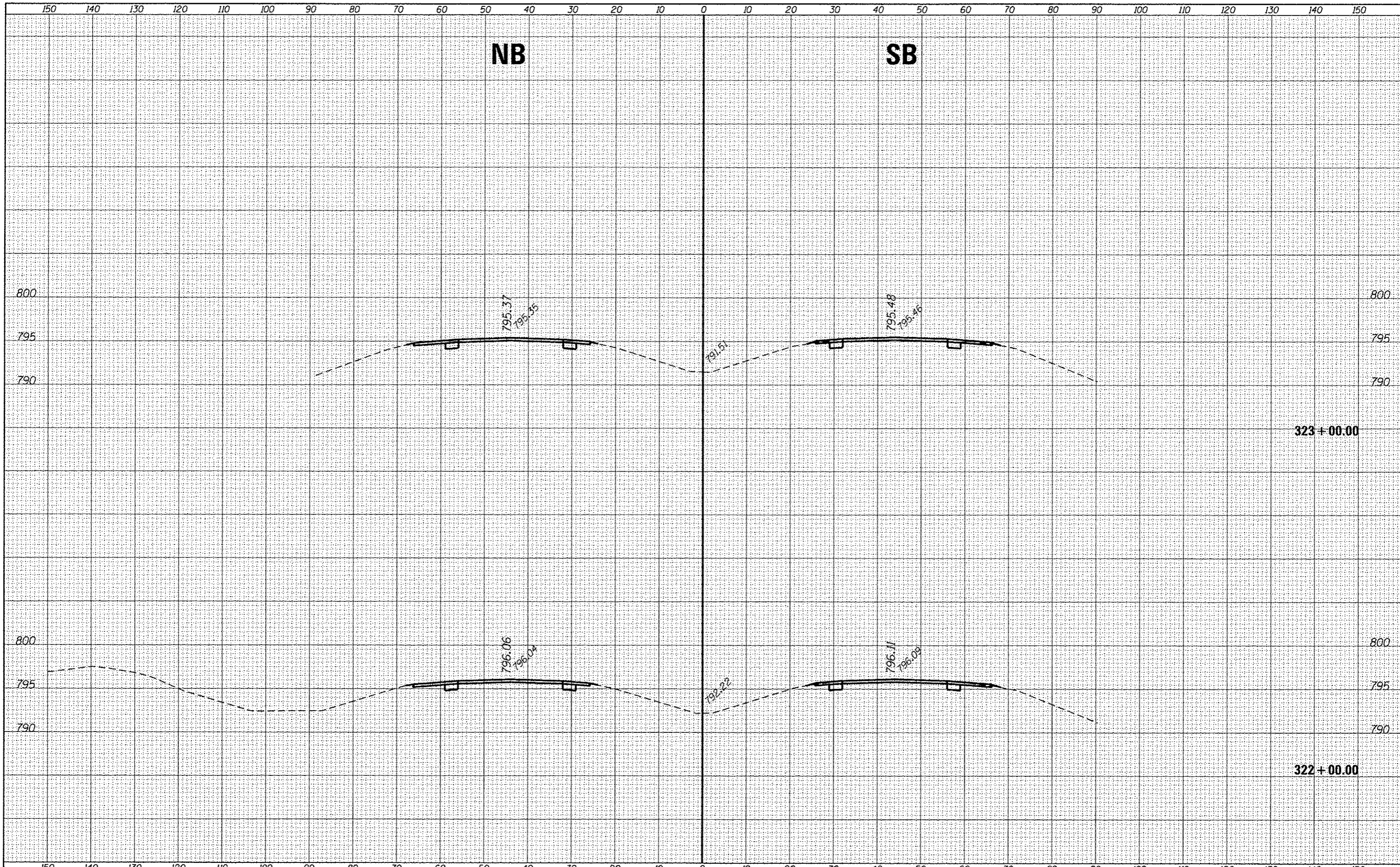
DATE	
BY	
REVISIONS	
NO.	
DATE	
BY	
REVISIONS	
NO.	
DATE	
BY	
REVISIONS	
NO.	



FILE NAME	USER NAME = ccorcoran	DESIGNED -	REVISED -	STATE OF ILLINOIS DEPARTMENT OF TRANSPORTATION	CROSS SECTIONS - NORTH SECTION	F.A.I. RTE.	SECTION	COUNTY	TOTAL SHEETS	SHEET NO.	
Default	DOT Offices\District 3\Projects\0366A26\Drawings\Drawings\0366A26-shl-kashit North	CHECKED -	REVISED -			57	(10,27-38A,27-1)RS-2	FORD	233	215	
	PLOT SCALE = 20.0000' / in.	DATE -	REVISED -			CONTRACT NO. 66A26					
	PLOT DATE = 8/3/2016					ILLINOIS FED. AID PROJECT					
SCALE:						SHEET OF SHEETS STA. 320+00.00 TO STA. 321+00.00					

DATE	
BY	
DESIGNED	
DRAWN	
CHECKED	
DATE	
PROJECT	
TEMPLATE	
AREAS	
AREAS CHECKED	
NO.	

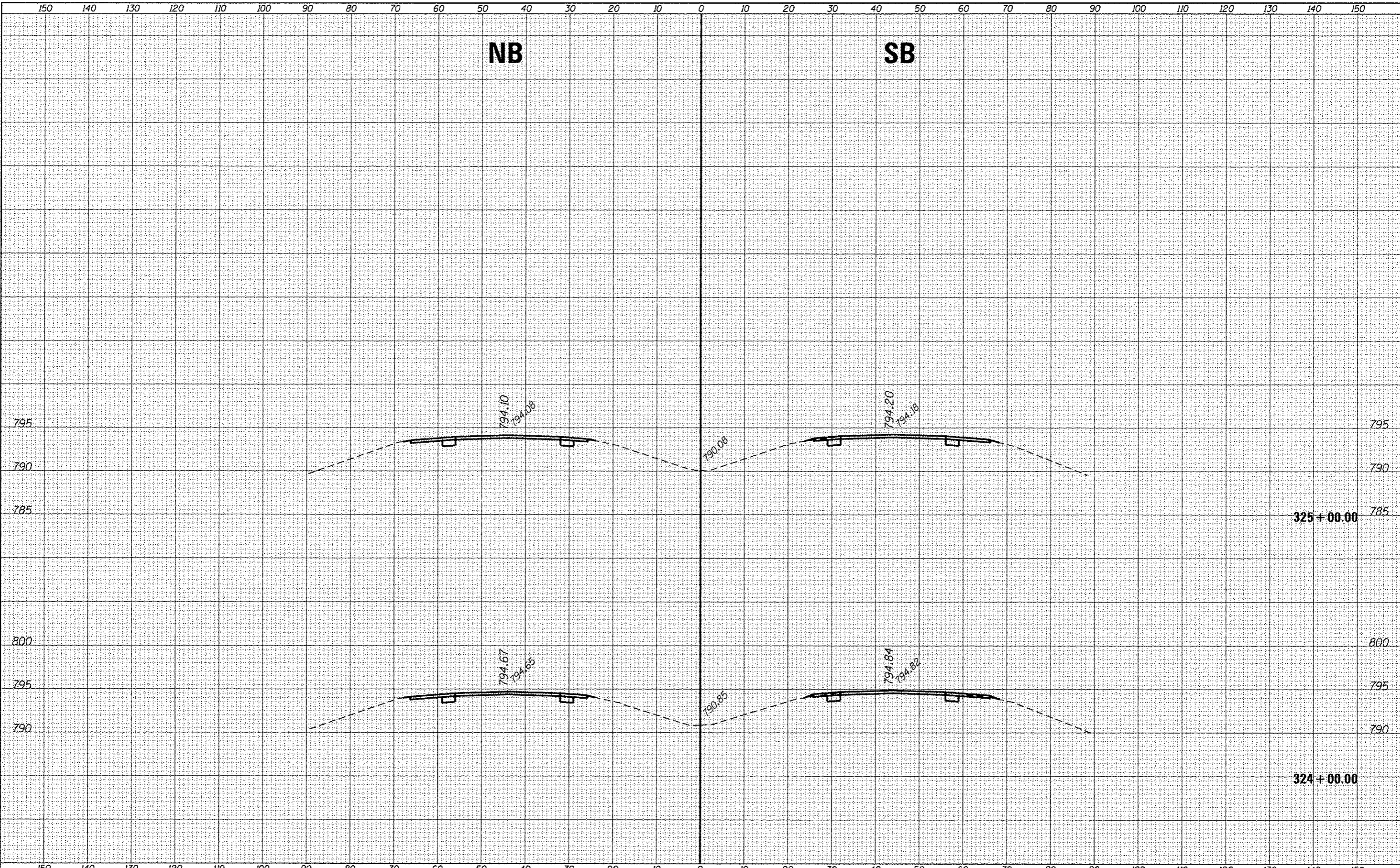
DATE	
BY	
DESIGNED	
DRAWN	
CHECKED	
DATE	
PROJECT	
TEMPLATE	
AREAS	
AREAS CHECKED	
NO.	



FILE NAME =	USER NAME = ccorcoran	DESIGNED -	REVISED -	STATE OF ILLINOIS DEPARTMENT OF TRANSPORTATION	CROSS SECTIONS - NORTH SECTION				F.A.I. RTE.	SECTION	COUNTY	TOTAL SHEETS	SHEET NO.
p:\11084EBIDINTEG.illinois.gov\PI\DOT\Documents\DOT Offices\District 3\Projects\0366A26\CD\Drawings\0366A26-sht-ssht North	DRAWN	REVISED	REVISED		57	(10.27-38A,27-1)RS-2	FORD	233	216				
Default	CHECKED	REVISED	REVISED		CONTRACT NO. 66A26								
	DATE	REVISED	REVISED		SCALE:	SHEET	OF	SHEETS	STA. 322+00.00	TO STA. 323+00.00	ILLINOIS FED. AID PROJECT		

DATE	
BY	
REVISIONS	
NO. 1	
NO. 2	
NO. 3	
NO. 4	
NO. 5	
NO. 6	
NO. 7	
NO. 8	
NO. 9	
NO. 10	
NO. 11	
NO. 12	
NO. 13	
NO. 14	
NO. 15	
NO. 16	
NO. 17	
NO. 18	
NO. 19	
NO. 20	
NO. 21	
NO. 22	
NO. 23	
NO. 24	
NO. 25	
NO. 26	
NO. 27	
NO. 28	
NO. 29	
NO. 30	
NO. 31	
NO. 32	
NO. 33	
NO. 34	
NO. 35	
NO. 36	
NO. 37	
NO. 38	
NO. 39	
NO. 40	
NO. 41	
NO. 42	
NO. 43	
NO. 44	
NO. 45	
NO. 46	
NO. 47	
NO. 48	
NO. 49	
NO. 50	
NO. 51	
NO. 52	
NO. 53	
NO. 54	
NO. 55	
NO. 56	
NO. 57	
NO. 58	
NO. 59	
NO. 60	
NO. 61	
NO. 62	
NO. 63	
NO. 64	
NO. 65	
NO. 66	
NO. 67	
NO. 68	
NO. 69	
NO. 70	
NO. 71	
NO. 72	
NO. 73	
NO. 74	
NO. 75	
NO. 76	
NO. 77	
NO. 78	
NO. 79	
NO. 80	
NO. 81	
NO. 82	
NO. 83	
NO. 84	
NO. 85	
NO. 86	
NO. 87	
NO. 88	
NO. 89	
NO. 90	
NO. 91	
NO. 92	
NO. 93	
NO. 94	
NO. 95	
NO. 96	
NO. 97	
NO. 98	
NO. 99	
NO. 100	
NO. 101	
NO. 102	
NO. 103	
NO. 104	
NO. 105	
NO. 106	
NO. 107	
NO. 108	
NO. 109	
NO. 110	
NO. 111	
NO. 112	
NO. 113	
NO. 114	
NO. 115	
NO. 116	
NO. 117	
NO. 118	
NO. 119	
NO. 120	
NO. 121	
NO. 122	
NO. 123	
NO. 124	
NO. 125	
NO. 126	
NO. 127	
NO. 128	
NO. 129	
NO. 130	
NO. 131	
NO. 132	
NO. 133	
NO. 134	
NO. 135	
NO. 136	
NO. 137	
NO. 138	
NO. 139	
NO. 140	
NO. 141	
NO. 142	
NO. 143	
NO. 144	
NO. 145	
NO. 146	
NO. 147	
NO. 148	
NO. 149	
NO. 150	
NO. 151	
NO. 152	
NO. 153	
NO. 154	
NO. 155	
NO. 156	
NO. 157	
NO. 158	
NO. 159	
NO. 160	
NO. 161	
NO. 162	
NO. 163	
NO. 164	
NO. 165	
NO. 166	
NO. 167	
NO. 168	
NO. 169	
NO. 170	
NO. 171	
NO. 172	
NO. 173	
NO. 174	
NO. 175	
NO. 176	
NO. 177	
NO. 178	
NO. 179	
NO. 180	
NO. 181	
NO. 182	
NO. 183	
NO. 184	
NO. 185	
NO. 186	
NO. 187	
NO. 188	
NO. 189	
NO. 190	
NO. 191	
NO. 192	
NO. 193	
NO. 194	
NO. 195	
NO. 196	
NO. 197	
NO. 198	
NO. 199	
NO. 200	

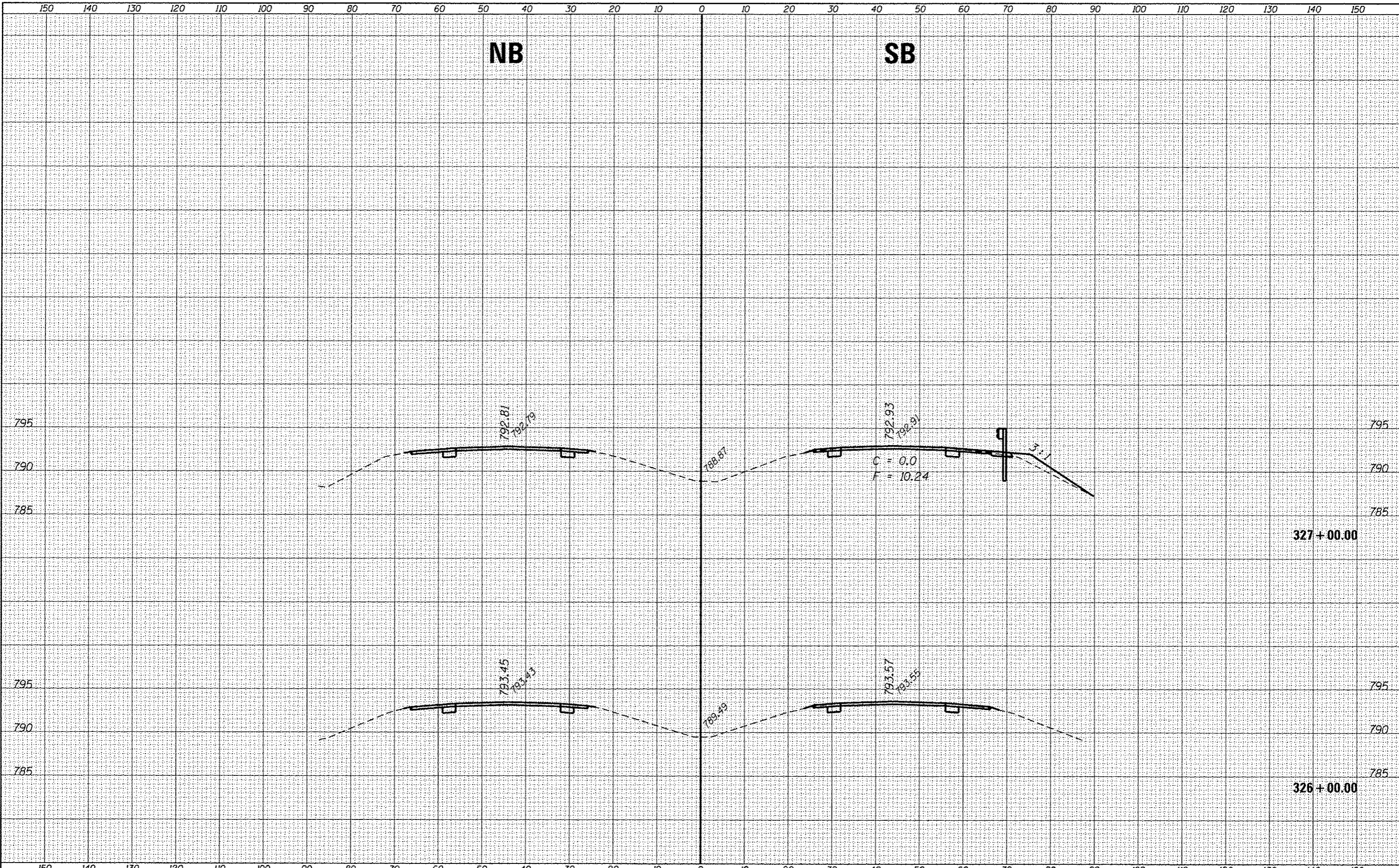
DATE	
BY	
REVISIONS	
NO. 1	
NO. 2	
NO. 3	
NO. 4	
NO. 5	
NO. 6	
NO. 7	
NO. 8	
NO. 9	
NO. 10	
NO. 11	
NO. 12	
NO. 13	
NO. 14	
NO. 15	
NO. 16	
NO. 17	
NO. 18	
NO. 19	
NO. 20	
NO. 21	
NO. 22	
NO. 23	
NO. 24	
NO. 25	
NO. 26	
NO. 27	
NO. 28	
NO. 29	
NO. 30	
NO. 31	
NO. 32	
NO. 33	
NO. 34	
NO. 35	
NO. 36	
NO. 37	
NO. 38	
NO. 39	
NO. 40	
NO. 41	
NO. 42	
NO. 43	
NO. 44	
NO. 45	
NO. 46	
NO. 47	
NO. 48	
NO. 49	
NO. 50	
NO. 51	
NO. 52	
NO. 53	
NO. 54	
NO. 55	
NO. 56	
NO. 57	
NO. 58	
NO. 59	
NO. 60	
NO. 61	
NO. 62	
NO. 63	
NO. 64	
NO. 65	
NO. 66	
NO. 67	
NO. 68	
NO. 69	
NO. 70	
NO. 71	
NO. 72	
NO. 73	
NO. 74	
NO. 75	
NO. 76	
NO. 77	
NO. 78	
NO. 79	
NO. 80	
NO. 81	
NO. 82	
NO. 83	
NO. 84	
NO. 85	
NO. 86	
NO. 87	
NO. 88	
NO. 89	
NO. 90	
NO. 91	
NO. 92	
NO. 93	
NO. 94	
NO. 95	
NO. 96	
NO. 97	
NO. 98	
NO. 99	
NO. 100	
NO. 101	
NO. 102	
NO. 103	
NO. 104	
NO. 105	
NO. 106	
NO. 107	
NO. 108	
NO. 109	
NO. 110	
NO. 111	
NO. 112	
NO. 113	
NO. 114	
NO. 115	
NO. 116	
NO. 117	
NO. 118	
NO. 119	
NO. 120	
NO. 121	
NO. 122	
NO. 123	
NO. 124	
NO. 125	
NO. 126	
NO. 127	
NO. 128	
NO. 129	
NO. 130	
NO. 131	
NO. 132	
NO. 133	
NO. 134	
NO. 135	
NO. 136	
NO. 137	
NO. 138	
NO. 139	
NO. 140	
NO. 141	
NO. 142	
NO. 143	
NO. 144	
NO. 145	
NO. 146	
NO. 147	
NO. 148	
NO. 149	
NO. 150	
NO. 151	
NO. 152	
NO. 153	
NO. 154	
NO. 155	
NO. 156	
NO. 157	
NO. 158	
NO. 159	
NO. 160	



FILE NAME =	USER NAME = ccoraenlm	DESIGNED -	REVISED -	STATE OF ILLINOIS DEPARTMENT OF TRANSPORTATION	CROSS SECTIONS - NORTH SECTION	F.A.J. RTE.	SECTION	COUNTY	TOTAL SHEETS	SHEET NO.
...			57	110,27-38A,27-11RS-2	FORD	233	217
...			CONTRACT NO. 66A26				
...			ILLINOIS FED. AID PROJECT				
...	SCALE:	SHEET OF SHEETS	STA. 324+00.00 TO STA. 325+00.00				

DATE	
BY	
FINISHED	
STARTED	
SURVEY	
NOTE BOOK	
NO.	
AREAS CHECKED	
TEMPLATE	

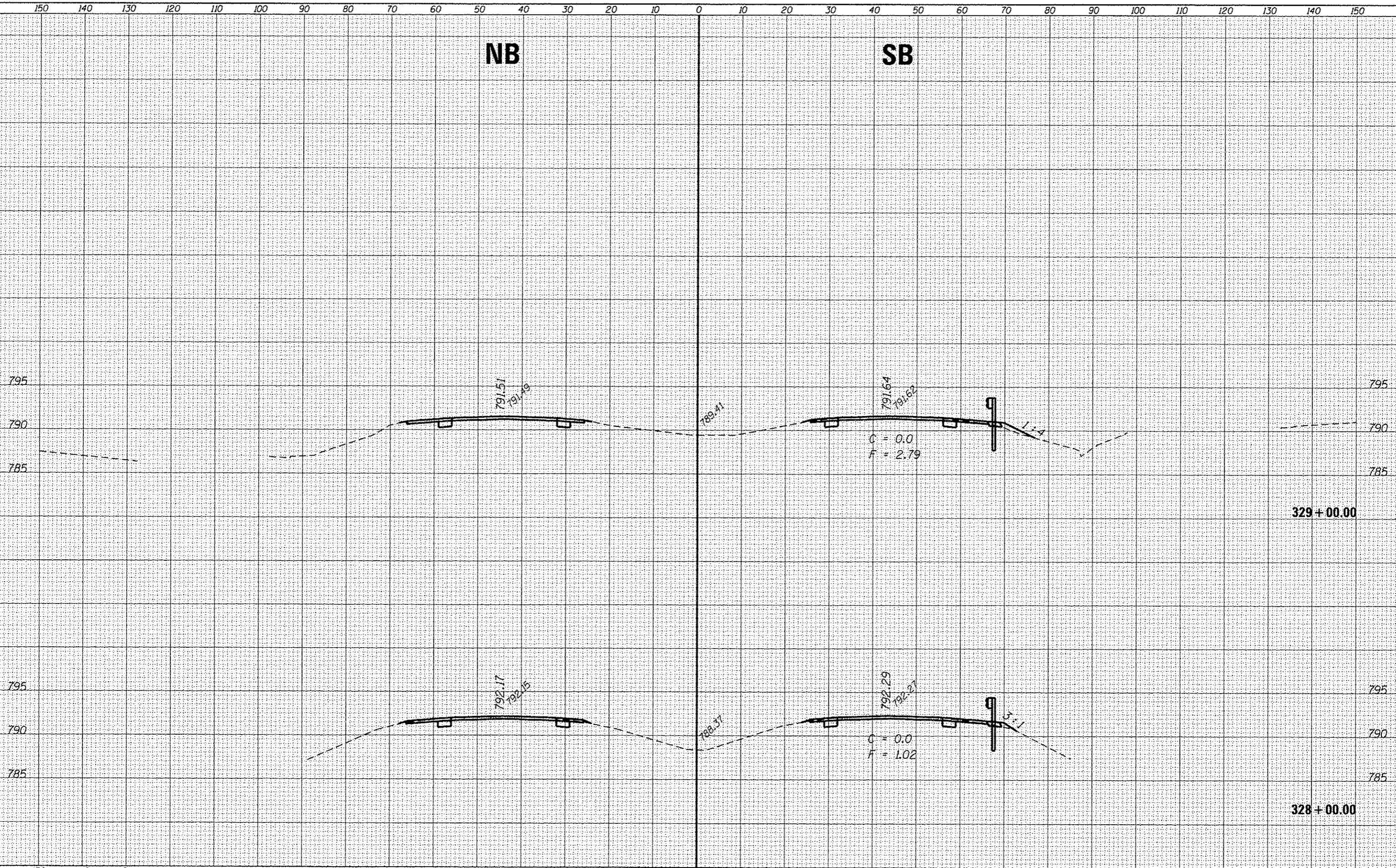
DATE	
BY	
FINISHED	
STARTED	
SURVEY	
NOTE BOOK	
NO.	
AREAS CHECKED	
TEMPLATE	



FILE NAME =	USER NAME = corcoranlm	DESIGNED -	REVISED -	STATE OF ILLINOIS DEPARTMENT OF TRANSPORTATION	CROSS SECTIONS - NORTH SECTION		F.A.I. RTE.	SECTION	COUNTY	TOTAL SHEET NO.
p:\11084EBID\INTEG..illinois.gov\FWIDOT\Documents\DOT Offices\District 3\Projects\0366A26\CD\DRAWN\0366A26-shr-nssht North	DRAWN	REVISION	REVISION		57	(10,27-38A,27-1)RS-2	FORD	233	218	
Default	PLOT SCALE = 28.0000' / in.	CHECKED -	REVISED -		SCALE: SHEET OF SHEETS STA. 326+00.00 TO STA. 327+00.00		CONTRACT NO. 66A26		ILLINOIS FED. AID PROJECT	
	PLOT DATE = 8/3/2016	DATE -	REVISED -							

NB

SB



329+00.00

328+00.00

DATE	
BY	
SURVEYED	
PLOTTED	
NOTE BOOK	
AREAS CHECKED	

DATE	
BY	
SURVEYED	
PLOTTED	
NOTE BOOK	
AREAS CHECKED	

FILE NAME =	USER NAME = cecaronm	DESIGNED -	REVISED -
p:\11884EBID\INTEG.illinois.gov\PIWIDOT\Documents\11884EBID\District 3\Projects\0366A26\CAD\Drawings\0366A26-shr-ssht North		DRAWN -	REVISED -
Default		CHECKED -	REVISED -
		DATE -	REVISED -

**STATE OF ILLINOIS
DEPARTMENT OF TRANSPORTATION**

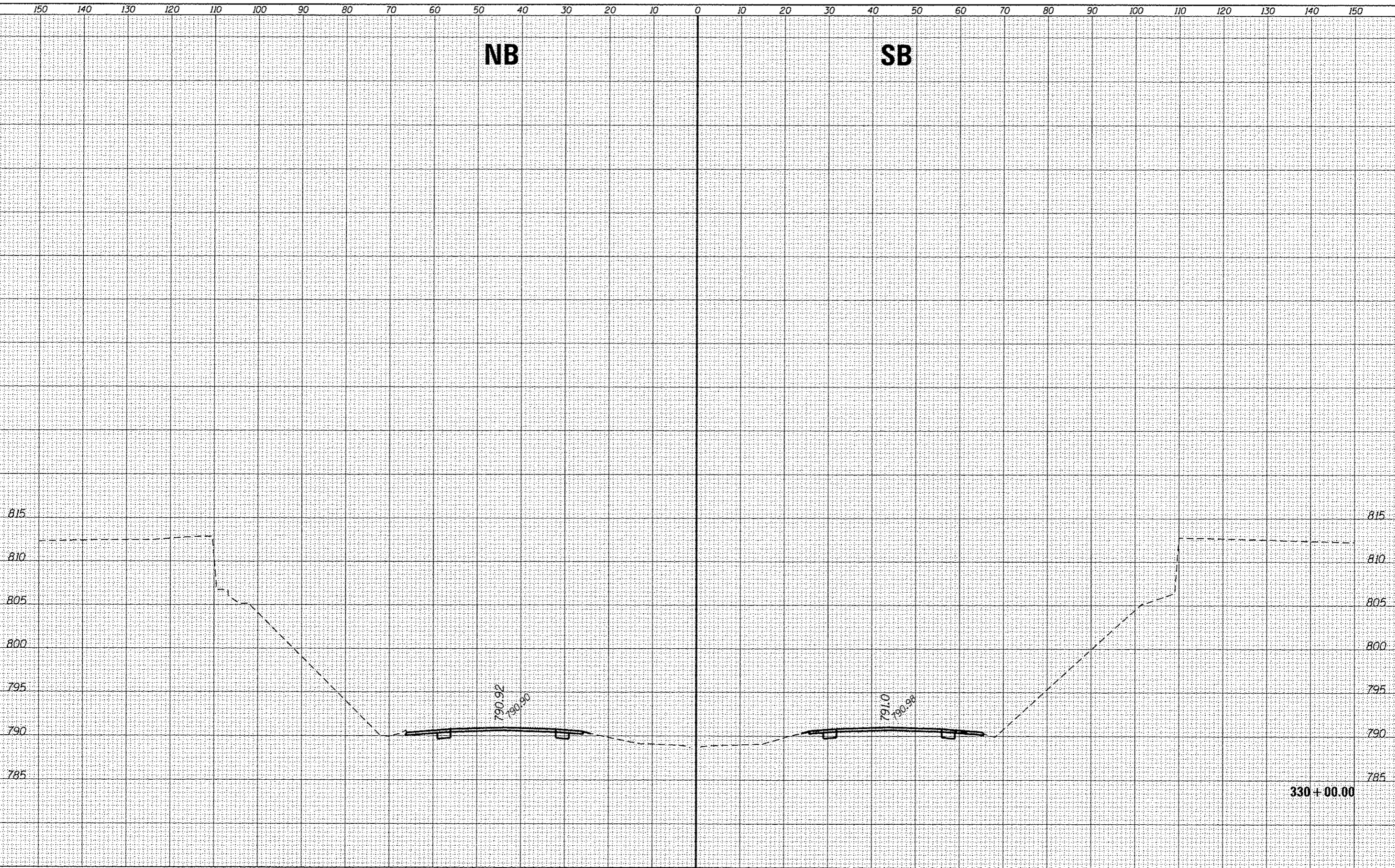
CROSS SECTIONS - NORTH SECTION

SCALE: SHEET OF SHEETS STA. 328+00.00 TO STA. 329+00.00

F.A.I. RTE.	SECTION	COUNTY	TOTAL SHEETS	SHEET NO.
57	(10,27-38A,27-1)R5-2	FORD	233	219
CONTRACT NO. 66A26			ILLINOIS FED. AID PROJECT	

NB

SB



DATE	
BY	
SURVEYED	
PLOTTED	
REVIEWED	
AREAS CHECKED	
NO.	

DATE	
BY	
SURVEYED	
PLOTTED	
REVIEWED	
AREAS CHECKED	
NO.	

FILE NAME =	USER NAME = corcor-mlm	DESIGNED -	REVISED -	F.A.I. RTE.	SECTION	COUNTY	TOTAL SHEETS	SHEET NO.
Default	\\IL084EBID\INTEG.illinois.gov\PIWIDOT\Documents\DOT Offices\District 3\Projects\0366A26\CAD\DRAWINGS\0366A26-shr-ssht North	CHECKED -	REVISED -	57	(10,27-38A.27-1)R5-2	FORD	233	220
	PLOT SCALE = 28.0000' / in.	DATE -	REVISED -	CROSS SECTIONS - NORTH SECTION				CONTRACT NO. 66A26
	PLOT DATE = 8/3/2016			SCALE:	SHEET	OF	SHEETS	STA. 330+00.00 TO STA. 330+00.00
ILLINOIS FED. AID PROJECT								

STATE OF ILLINOIS
DEPARTMENT OF TRANSPORTATION

CROSS SECTIONS - NORTH SECTION

330+00.00

NB

SB

788.95
788.93
C = 0.0
F = 3.99

789.05
789.03
785.20

333+00.00

789.60
789.58
C = 0.0
F = .30

789.70
789.68
785.92

332+00.00

790.24
790.22
C = 0.0
F = .20

790.35
790.33
787.19

331+00.00

STATE OF ILLINOIS
DEPARTMENT OF TRANSPORTATION

CROSS SECTIONS - NORTH SECTION

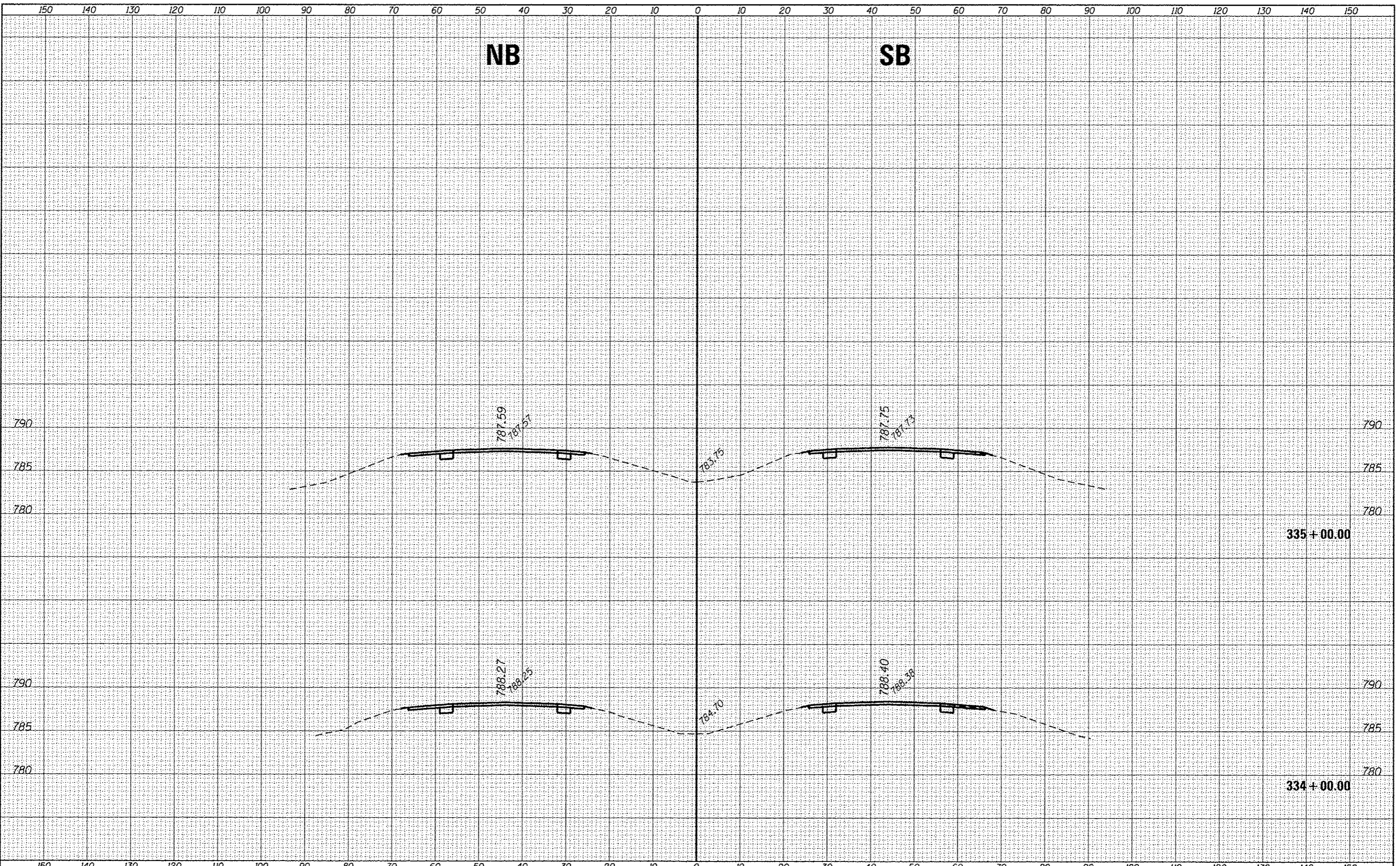
FILE NAME :	USER NAME : corenlin	DESIGNED -	REVISED -	F.A.I. R.T.E. :	SECTION :	COUNTY :	TOTAL SHEET NO. :
Default	DOT Offices\District 3\Projects\0366A26\CAD\Drawings\0366A26-shs-xssht North	DRAWN	REVISED	57	10,27-38A,27-1)RS-2	FORD	233
	PLOT SCALE : 28.0000' / in.	CHECKED -	REVISED -				221
	PLOT DATE : 8/3/2016	DATE -	REVISED -	SCALE :	SHEET OF SHEETS	STA. 331+00.00 TO STA. 333+00.00	CONTRACT NO. 66A26
							ILLINOIS FED. AID PROJECT

DATE	
BY	
ORIGINAL SURVEY	
SURVEY	
NOTE BOOK	
NO.	

DATE	
BY	
ORIGINAL SURVEY	
SURVEY	
NOTE BOOK	
NO.	

NB

SB

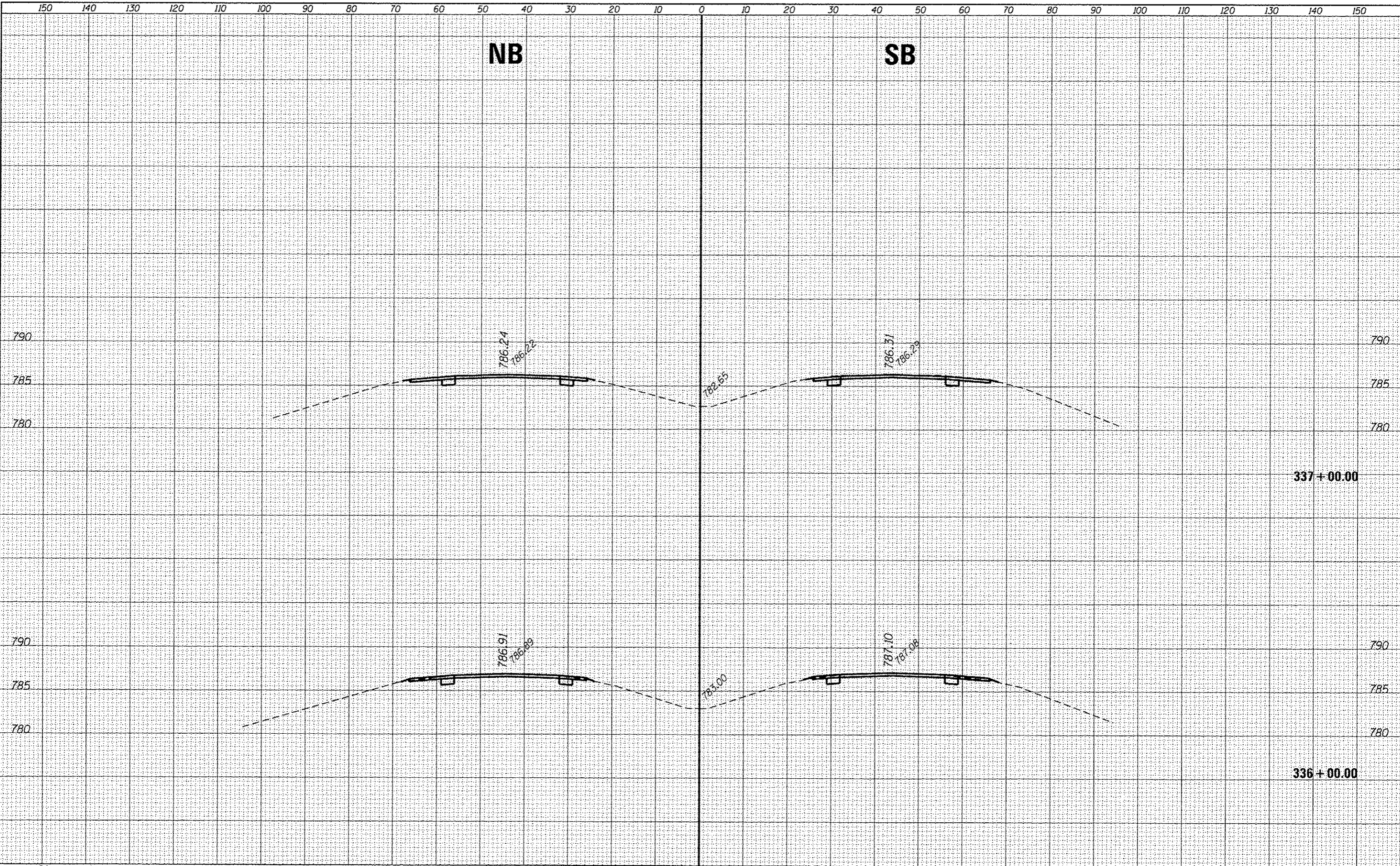


DATE	
BY	
DESIGNED	
CHECKED	
DATE	
FILED	
NO.	

DATE	
BY	
DESIGNED	
CHECKED	
DATE	
FILED	
NO.	

NB

SB



337+00.00

336+00.00

STATE OF ILLINOIS
DEPARTMENT OF TRANSPORTATION

CROSS SECTIONS - NORTH SECTION

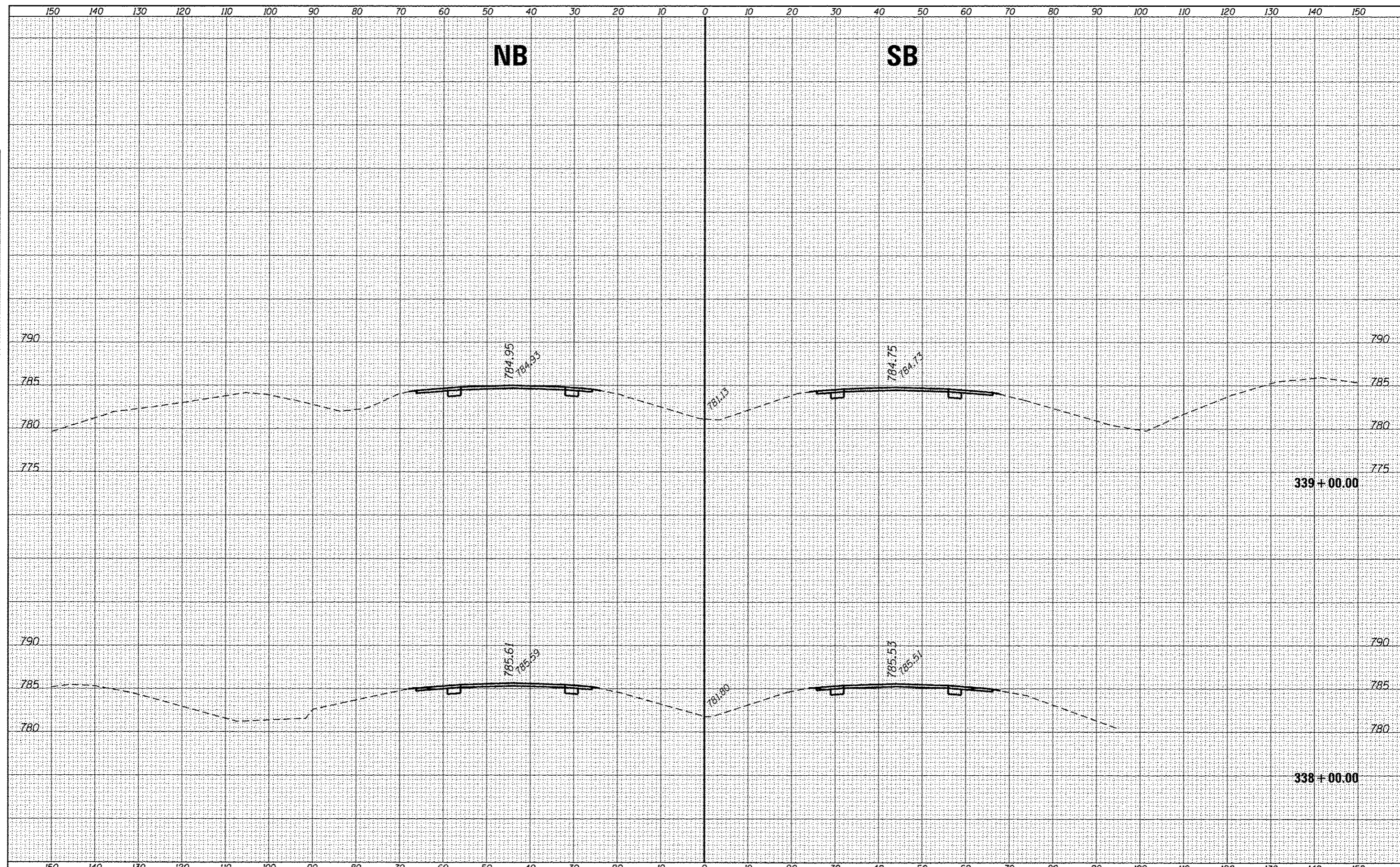
FILE NAME =	USER NAME = carcoran	DESIGNED -	REVISED -	F.A.I. RTE.	SECTION	COUNTY	TOTAL SHEETS	SHEET NO.
p:\11884EBID\INTEG\Illinois.gov\PI\DOT\Documents\DOT Offices\District 3\Projects\0366A26\CD\DRAW\Drawings\0366A26-shr-xssht North		DRAWN	REVISIONS	57	(10,27-38A,27-1)RS-2	FORD	233	223
Default		CHECKED -	REVISED -	CONTRACT NO. 66A26				
		DATE -	REVISED -	ILLINOIS FED. AID PROJECT				
				SCALE:	SHEET OF SHEETS STA. 336+00.00 TO STA. 337+00.00			

DATE	
BY	
REVIEWED	
APPROVED	
TEMPL. AREAS	
NOTE BOOK	
NO.	

DATE	
BY	
REVIEWED	
APPROVED	
TEMPL. AREAS	
NOTE BOOK	
NO.	

DATE	
BY	
CONVERTED	
PLotted	
TEMPLATE	
AREAS	
AREAS CHECKED	
NO.	

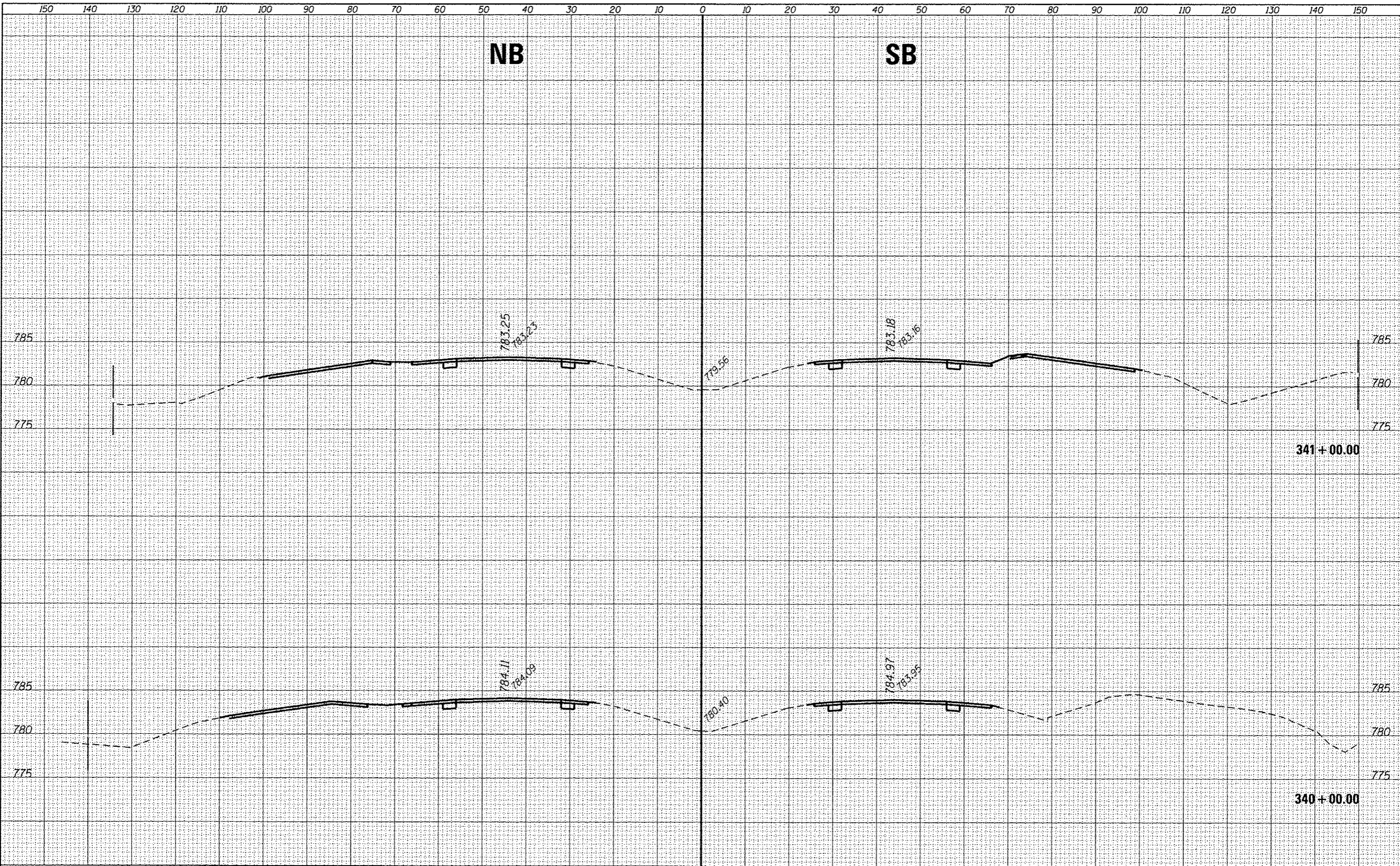
DATE	
BY	
CONVERTED	
PLotted	
TEMPLATE	
AREAS	
AREAS CHECKED	
NO.	



FILE NAME =	USER NAME = corcoranlm	DESIGNED -	REVISED -	STATE OF ILLINOIS DEPARTMENT OF TRANSPORTATION	CROSS SECTIONS - NORTH SECTION			F.A.I. RTE.	SECTION	COUNTY	TOTAL SHEETS	SHEET NO.
p:\11084EBIDINTEG\Illinois.gov\WIDOT\Documents\IDOT Offices\District 3\Projects\0366A26\CD\DRAWN\Drawings\0366A26-sht-nsaht North	DRAWN	REVISOR	DATE					57	(10,27-38A,27-1RS-2	FORD	233	224
Default	PLLOT SCALE = 20.0000' / 1"	CHECKED -	REVISED -		CONTRACT NO. 66A26			ILLINOIS FED. AID PROJECT				
	PLLOT DATE = 8/3/2016	DATE -	REVISED -		SCALE:	SHEET	OF	SHEETS	STA. 338+00.00 TO STA. 339+00.00			

NB

SB



DATE	
BY	
FINAL SURVEY	
PLANNED	
REVISIONS	
NOTE BOOK	
AREAS CHECKED	
NO.	

DATE	
BY	
ORIGINAL SURVEY	
PLANNED	
REVISIONS	
NOTE BOOK	
AREAS CHECKED	
NO.	

FILE NAME =	USER NAME = carcoranlm	DESIGNED -	REVISED -
p:\11084EBID\INTEG.illinois.gov\1007\Documents\1007 Offices\District 3\Projects\0366A26\CD\DRAWING\0366A26-shi-xaht North		DRAWN -	REVISED -
Default	PLOT SCALE = 28.0000' / in.	CHECKED -	REVISED -
	PLOT DATE = 8/3/2016	DATE -	REVISED -

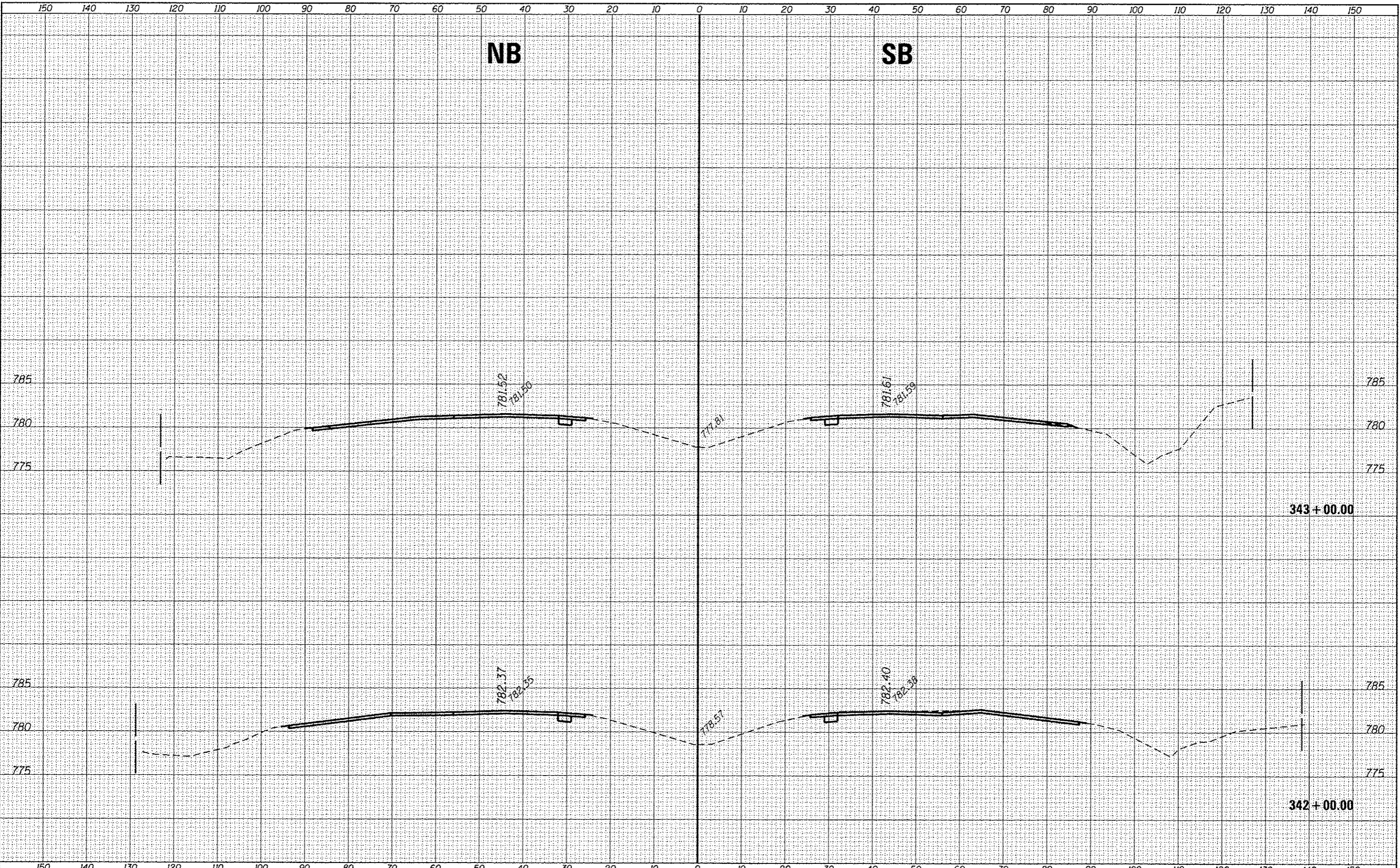
STATE OF ILLINOIS
DEPARTMENT OF TRANSPORTATION

CROSS SECTIONS - NORTH SECTION
SCALE: SHEET OF SHEETS STA. 340+00.00 TO STA. 341+00.00

F.A.I. RTE.	SECTION	COUNTY	TOTAL SHEETS	SHEET NO.
57	(10,27-38A,27-1)RS-2	FORD	233	225
			CONTRACT NO. 66A26	
ILLINOIS FED. AID PROJECT				

NB

SB



DATE	
BY	
APPROVED	
SURVEY	
FIELD	
NOTE BOOK	
NO.	

DATE	
BY	
APPROVED	
SURVEY	
FIELD	
NOTE BOOK	
NO.	

FILE NAME =	USER NAME = corcoranm	DESIGNED -	REVISED -
p:\118446\INTEG\Illinois.gov\PI\DOT\Documents\DOT Offices\District 3\Projects\0366A26\CD\DRAWN\Drawings\0366A26-ahs-kash North		DRAWN	REVISED
Default		CHECKED -	REVISED -
		DATE -	REVISED -

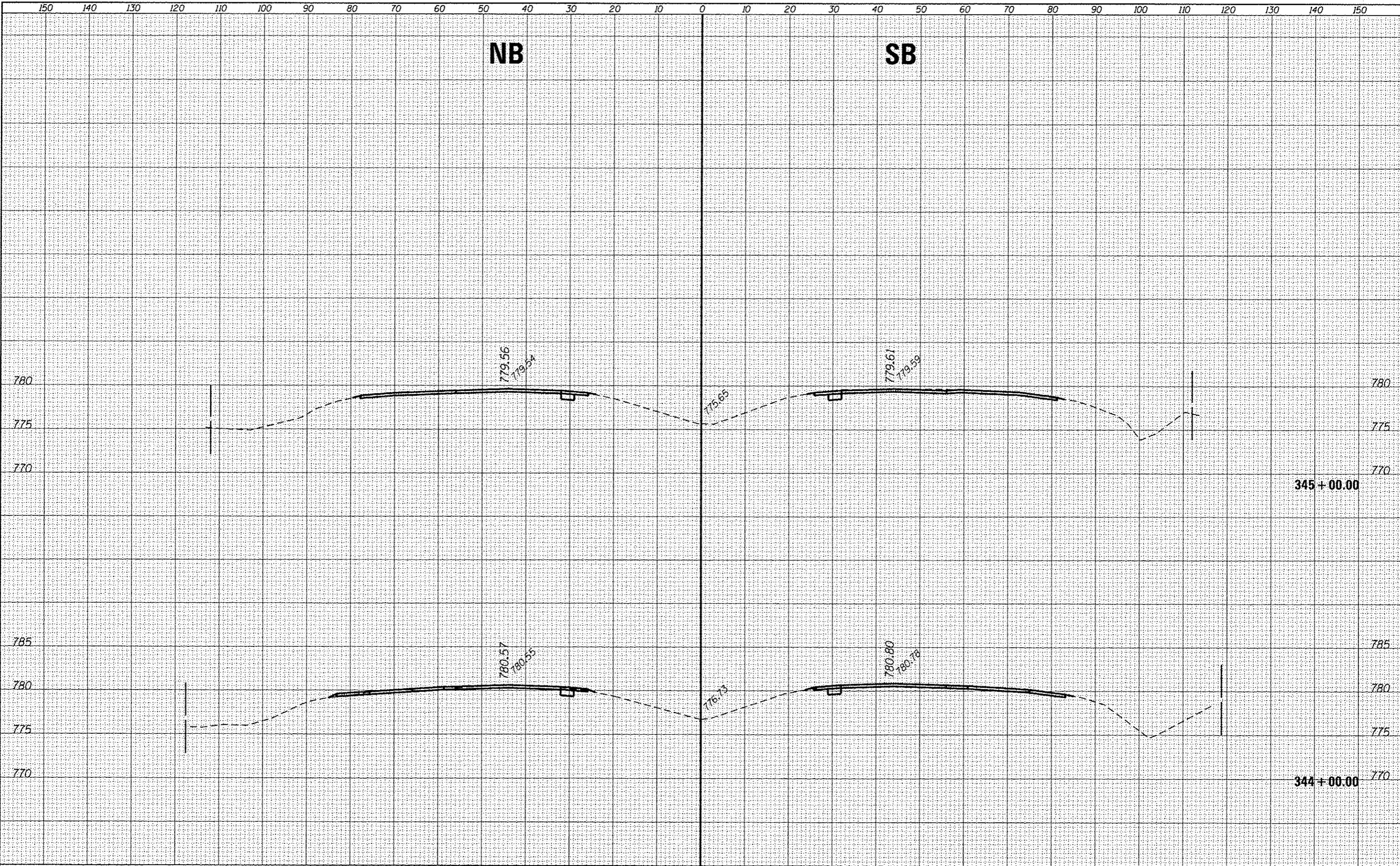
STATE OF ILLINOIS
DEPARTMENT OF TRANSPORTATION

CROSS SECTIONS - NORTH SECTION
SCALE: SHEET OF SHEETS STA. 342+00.00 TO STA. 343+00.00

F.A.I. RTE.	SECTION	COUNTY	TOTAL SHEETS	SHEET NO.
57	(10,27-38A,27-11RS-2	FORD	233	226
CONTRACT NO. 66A26			ILLINOIS FED. AID PROJECT	

NB

SB



DATE	
BY	
REVISIONS	
NO.	
DATE	
BY	
REVISIONS	
NO.	
DATE	
BY	
REVISIONS	
NO.	
DATE	
BY	
REVISIONS	
NO.	
DATE	
BY	
REVISIONS	
NO.	

DATE	
BY	
REVISIONS	
NO.	
DATE	
BY	
REVISIONS	
NO.	
DATE	
BY	
REVISIONS	
NO.	
DATE	
BY	
REVISIONS	
NO.	
DATE	
BY	
REVISIONS	
NO.	

FILE NAME =	USER NAME = gacorenm	DESIGNED -	REVISED -	STATE OF ILLINOIS DEPARTMENT OF TRANSPORTATION	CROSS SECTIONS - NORTH SECTION			F.A.I. RTE.	SECTION	COUNTY	TOTAL SHEETS	SHEET NO.
p:\1\084EBI0INTEG.illinois.gov\PI\DDT\Documents\DDT\Offices\District 3\Projects\0366A26\CD\DRAM\0366A26-sht-xxsht North	DRAWN -	REVISED -	57					(10,27-38A,27-1)RS-2	FORD	233	227	
Default	PLLOT SCALE = 28.0000' / in.	CHECKED -	REVISED -		SCALE:	SHEET	OF	SHEETS	STA. 344+00.00	TO STA. 345+00.00	ILLINOIS FED. AID PROJECT	
	PLLOT DATE = 8/3/2016	DATE -	REVISED -		CONTRACT NO. 66A26							

NB

SB

775.05
775.03

771.12

774.86
774.84

349 + 00.00

776.28
776.26

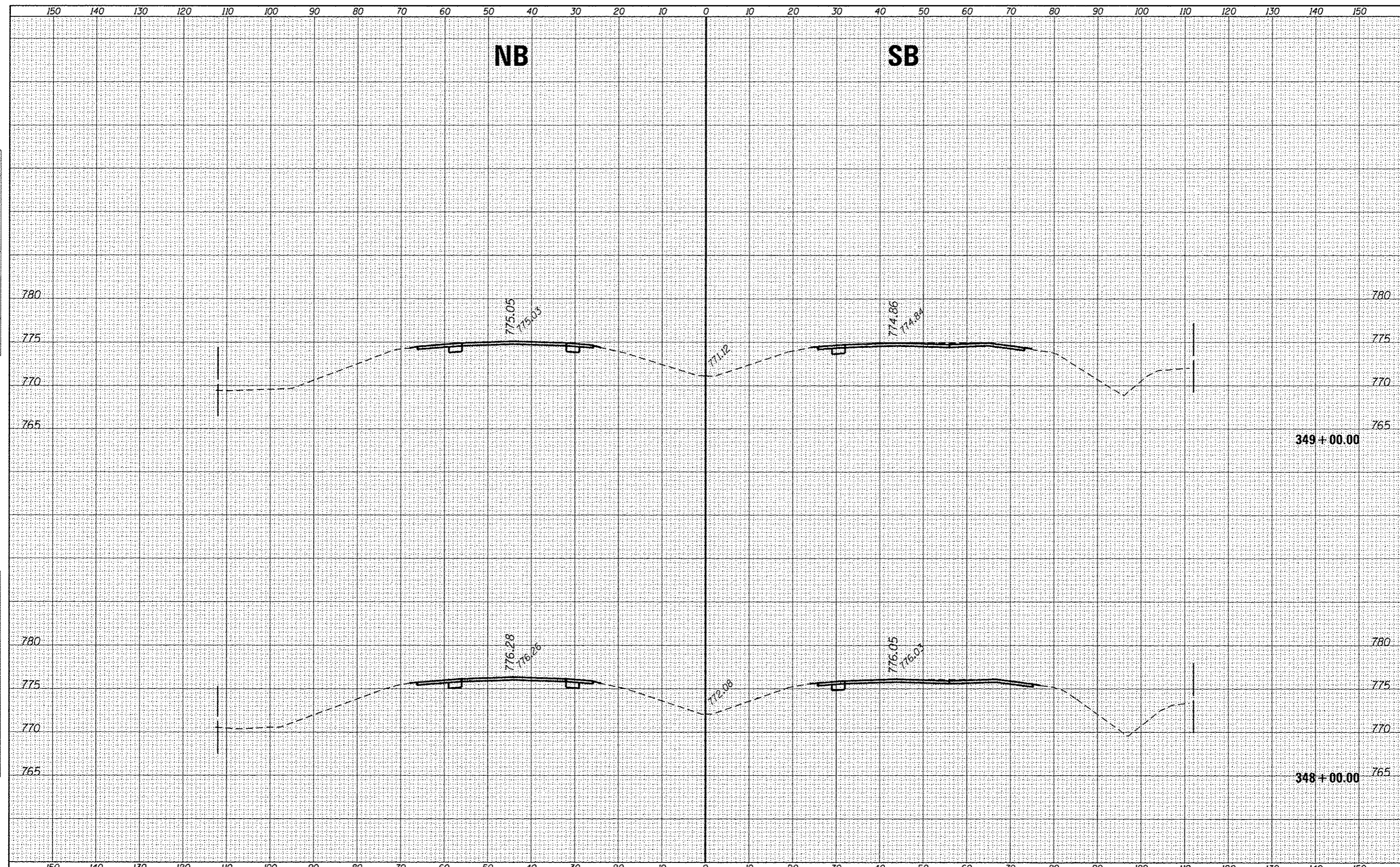
772.08

776.05
776.03

348 + 00.00

DATE	
BY	
FINAL SURVEY	
NOTE BOOK	
NO.	
AREAS CHECKED	

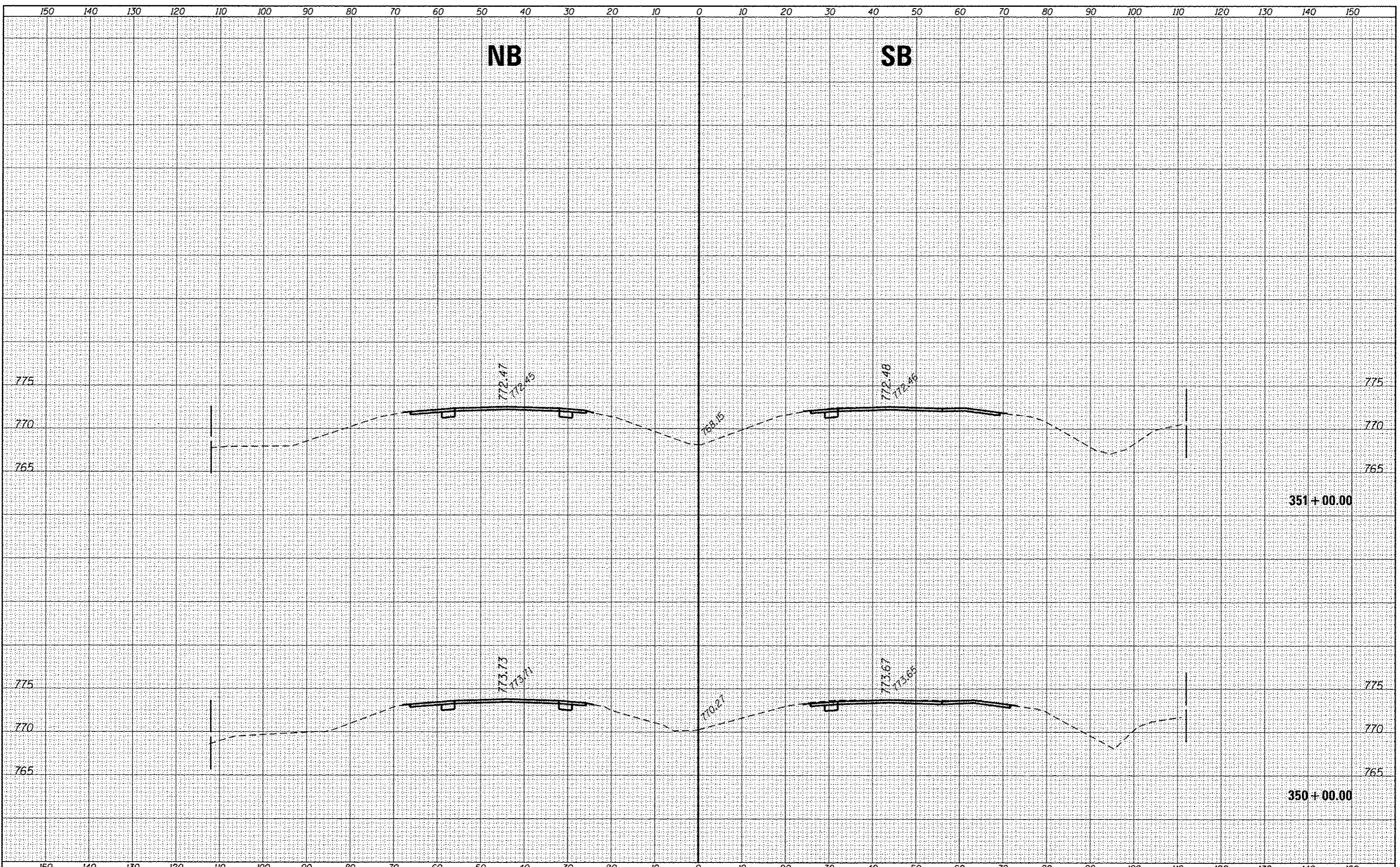
DATE	
BY	
ORIGINAL SURVEY	
NOTE BOOK	
NO.	
AREAS CHECKED	



FILE NAME =	USER NAME = corcoranlm	DESIGNED -	REVISED -	F.A.I. RTE.	SECTION	COUNTY	TOTAL SHEETS	SHEET NO.
Default	\\IL084EBID\INTEG\Illinois.gov\PW\DOT\Documents\DOT Offices\District 3\Projects\0366A26\CD\DRAWING\0366A26-shr-ssht North	CHECKED -	REVISED -	57	(10,27-38A,27-URS-2	FORD	233	229
	PLOT SCALE = 28.0000' / in.	DATE -	REVISED -	CONTRACT NO. 66A26				
	PLOT DATE = 8/3/2016			ILLINOIS FED. AID PROJECT				
STATE OF ILLINOIS DEPARTMENT OF TRANSPORTATION				CROSS SECTIONS - NORTH SECTION				
				SCALE:	SHEET	OF	SHEETS	STA. 348+00.00 TO STA. 349+00.00

NB

SB



351+00.00

350+00.00

DATE	
BY	
DESIGNED	
CHECKED	
DATE	
NO.	

DATE	
BY	
DESIGNED	
CHECKED	
DATE	
NO.	

FILE NAME	USER NAME = corcoranm	DESIGNED -	REVISED -
...
...
...

**STATE OF ILLINOIS
DEPARTMENT OF TRANSPORTATION**

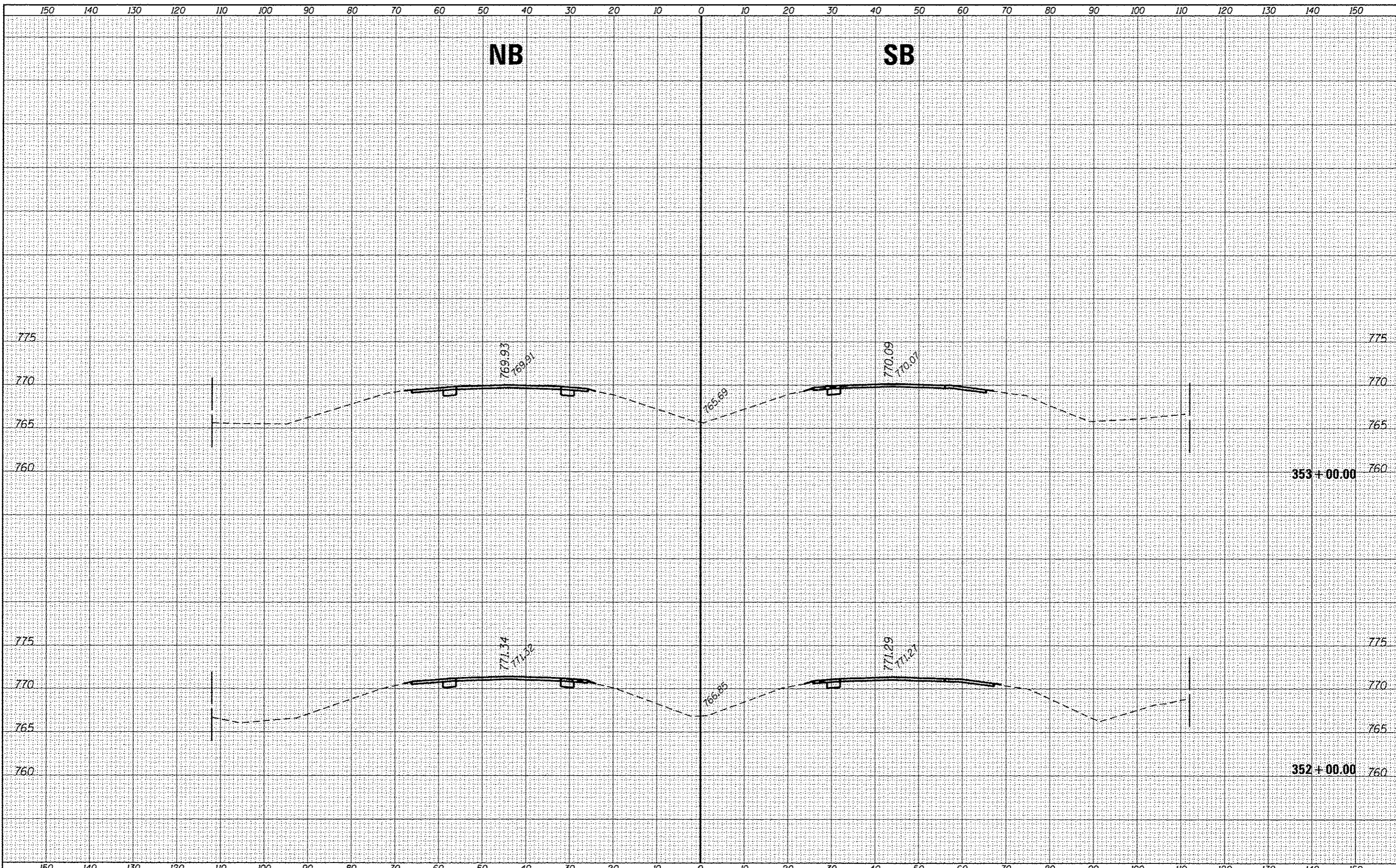
CROSS SECTIONS - NORTH SECTION

SCALE: SHEET OF SHEETS STA. 350+00.00 TO STA. 351+00.00

F.A.I. RTE.	SECTION	COUNTY	TOTAL SHEETS	SHEET NO.
57	(10,27-38A,27-1)RS-2	FORD	233	230
CONTRACT NO. 66A26				
ILLINOIS FED. AID PROJECT				

BY	
DATE	
SUPERSEDED	
SURVEY	
REVISION	
NOTE BOOK	
NO.	

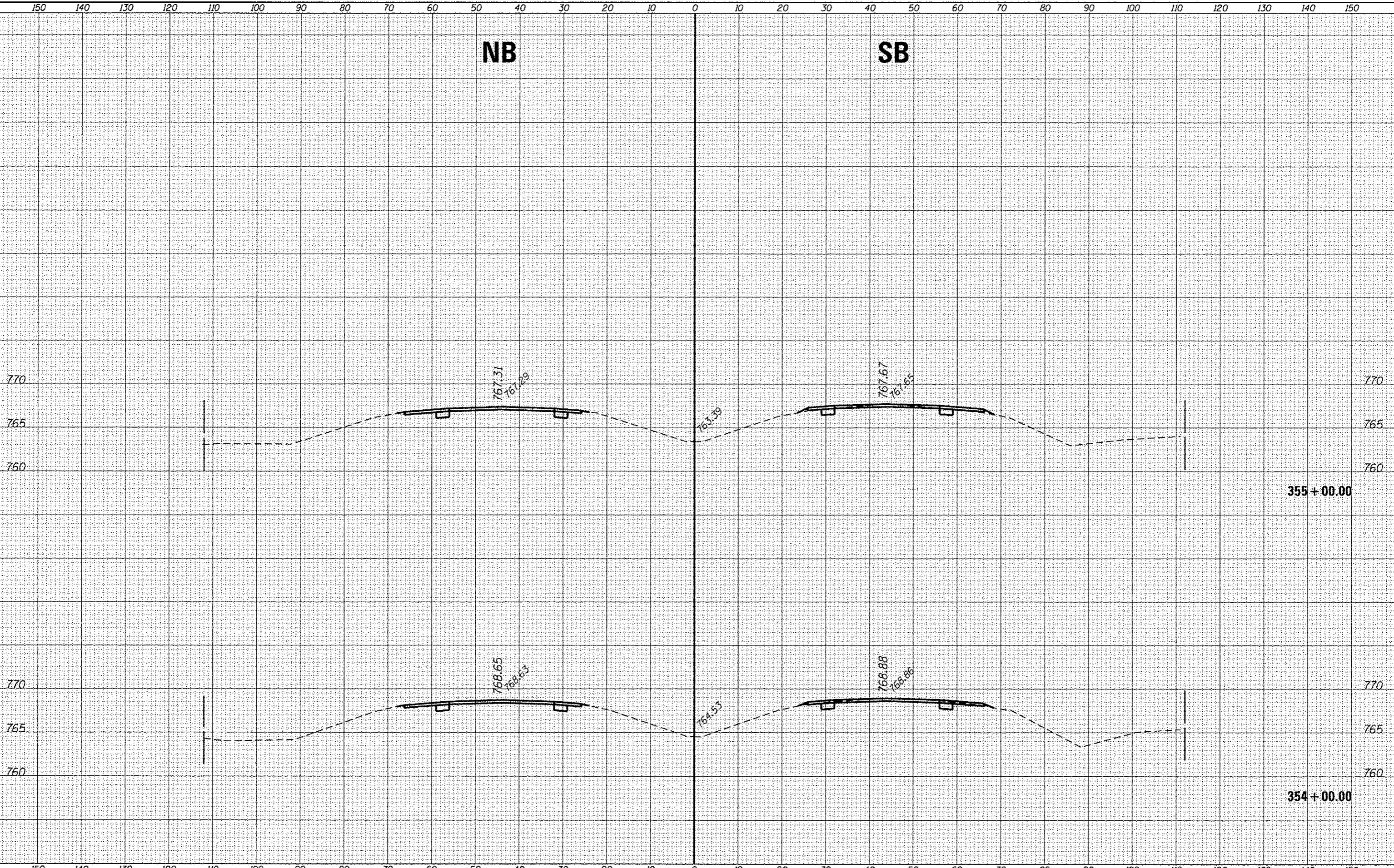
BY	
DATE	
SUPERSEDED	
SURVEY	
REVISION	
NOTE BOOK	
NO.	



FILE NAME	USER NAME = corcoranm	DESIGNED -	REVISED -	<p align="center">STATE OF ILLINOIS DEPARTMENT OF TRANSPORTATION</p>	CROSS SECTIONS - NORTH SECTION			F.A.I. RTE.	SECTION	COUNTY	TOTAL SHEETS	SHEET NO.
pw\11084EB10INTEG\Illinois.gov\PWIDOT\Documents\DDOT Offices\District 3\Projects\0366A26\CD\DRAWINGS\0366A26-shl-xasht North		DRAWN	REVISED		57	(10,27-38A,27-1)RS-2	FORD	233	231			
Default	PLOT SCALE = 20,0000' = 1"	CHECKED -	REVISED -		SCALE: SHEET OF SHEETS STA. 352+00.00 TO STA. 353+00.00			CONTRACT NO. 66A26				
	PLOT DATE = 8/3/2016	DATE -	REVISED -		ILLINOIS FED. AID PROJECT							

NB

SB



355+00.00

354+00.00

STATE OF ILLINOIS
DEPARTMENT OF TRANSPORTATION

CROSS SECTIONS - NORTH SECTION

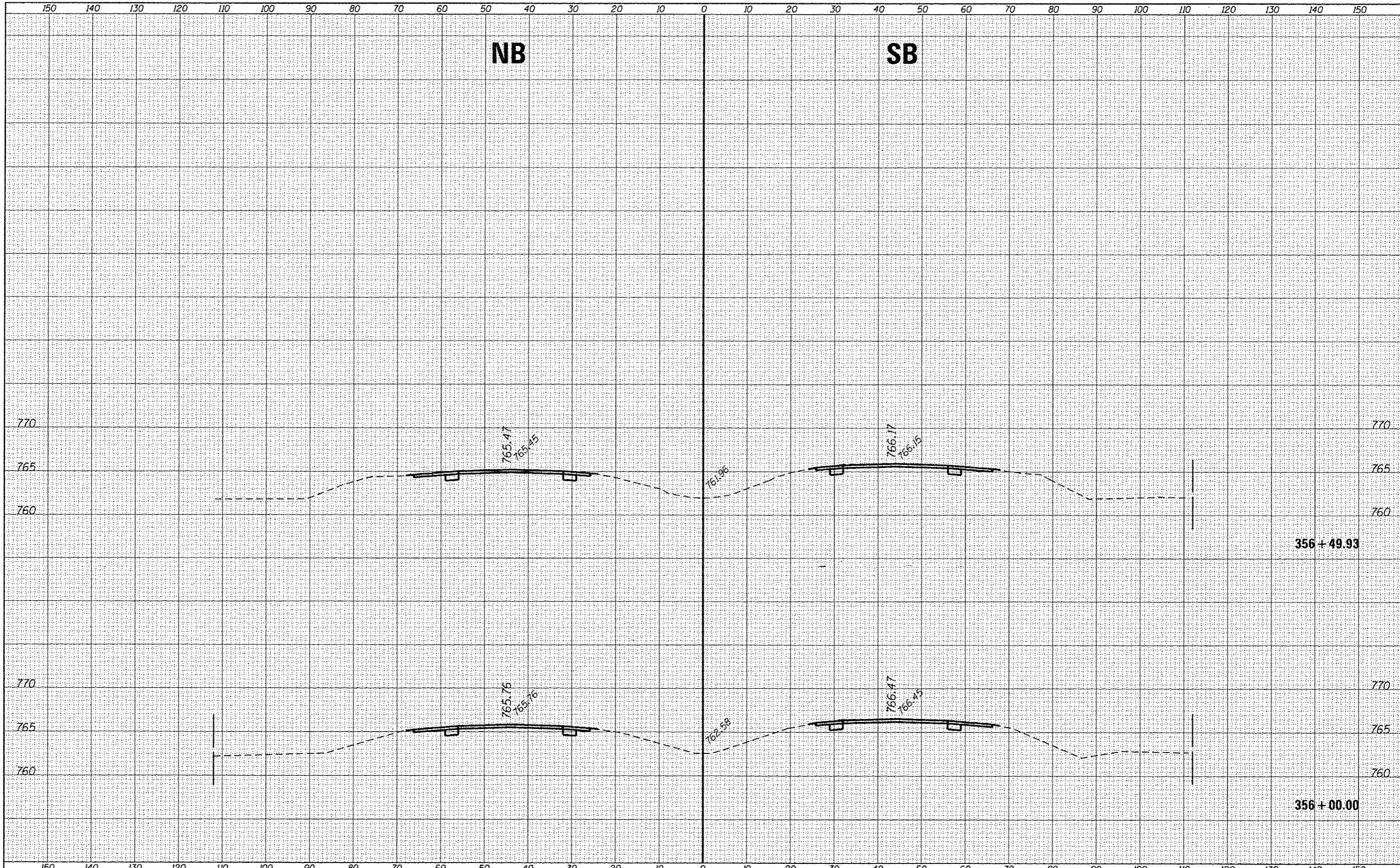
FILE NAME =	USER NAME = corcoranm	DESIGNED -	REVISED -	SCALE:	SHEET	OF	SHEETS	STA. 354+00.00	TO STA. 355+00.00	SECTION	COUNTY	TOTAL SHEETS	SHEET NO.
Default	DOT Offices\District 3\Projects\0366A26\CAD\DRAWN\0366A26-shr-ksht North	CHECKED -	REVISED -	57	10	27	11RS-2	FORD	233	232	CONTRACT NO. 66A26		
	PLOT SCALE = 28.0000" / 1"	DATE -	REVISED -	ILLINOIS FED. AID PROJECT									
	PLOT DATE = 8/3/2016												

DATE	
BY	
NO.	
FINAL SURVEY	
REVISION	
DATE	
BY	
NO.	
ORIGINAL SURVEY	
REVISION	
DATE	
BY	
NO.	

DATE	
BY	
NO.	
ORIGINAL SURVEY	
REVISION	
DATE	
BY	
NO.	

DATE	
BY	
FIELD SURVEY	
NOTE BOOK	
NO.	

DATE	
BY	
FIELD SURVEY	
NOTE BOOK	
NO.	



FILE NAME =	USER NAME = corcoran	DESIGNED -	REVISED -	F.A.I. RTE.	SECTION	COUNTY	TOTAL SHEETS	SHEET NO.
p:\11084EBID\INTEC\illinois.gov\PW\DOT\Documents\DOT Offices\District 3\Projects\0366A26\CD\Drawings\0366A26-sht-ssht North		DRAWN	REVISED	57	(10,27-38A,27-1)RS-2	FORD	233	233
Default	PLOT SCALE = 20.0000' / 1"	CHECKED -	REVISED -	CONTRACT NO. 66A26				
	PLOT DATE = 8/3/2016	DATE -	REVISED -	ILLINOIS FED. AID PROJECT				

STATE OF ILLINOIS
DEPARTMENT OF TRANSPORTATION

CROSS SECTIONS - NORTH SECTION

SCALE: SHEET OF SHEETS STA. 356+00.00 TO STA. 356+49.93